

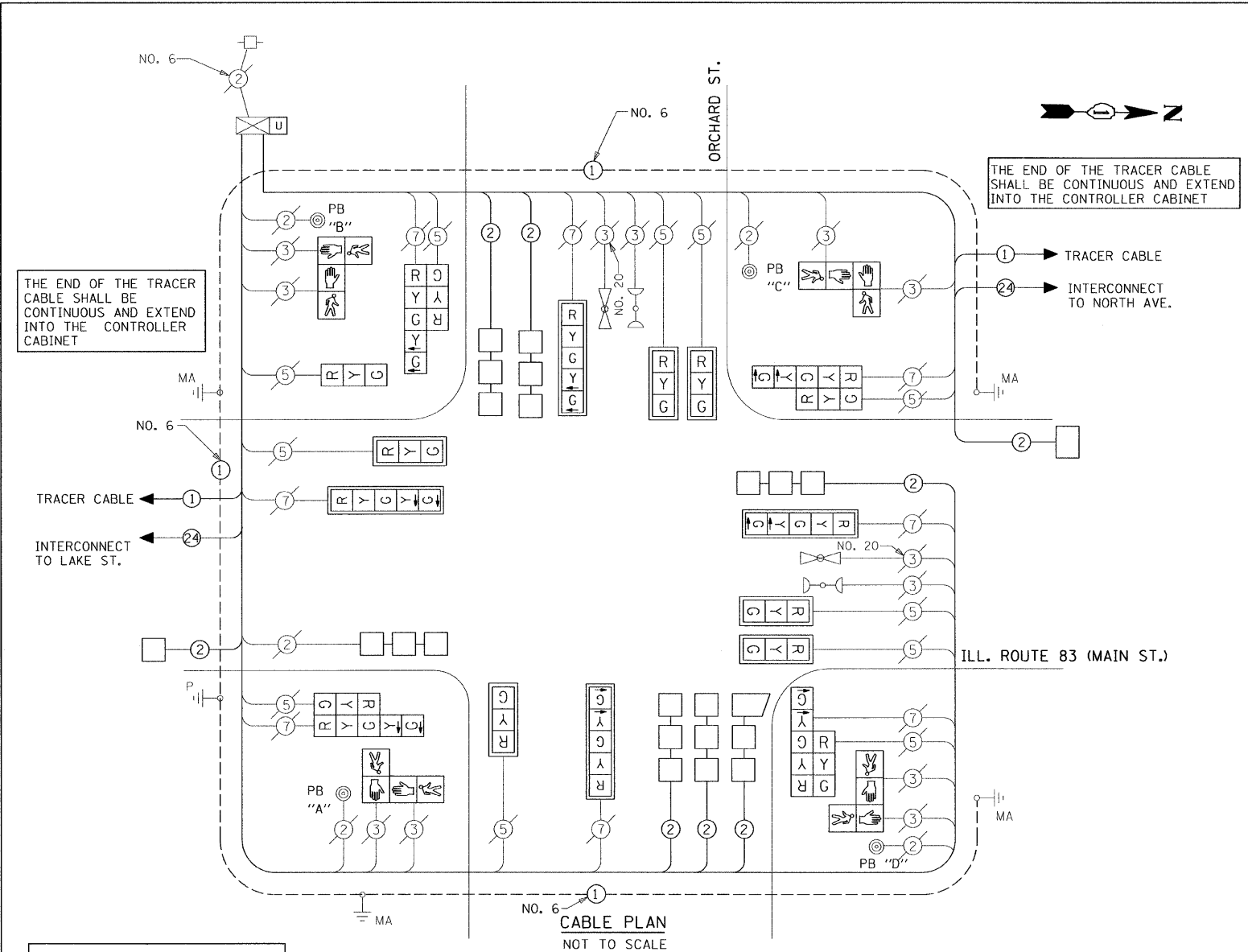
F.A.P. RTE.	SECTION	COUNTY	TOTAL SHEETS	SHEET NO.
866	*	LAKE	554	292
STA.		TO STA.		
FED. ROAD DIST. NO.		ILLINOIS FED. AID PROJECT		
CONTRACT #62700				
* (L-2(W,R); 6,6A & 6EXT)WRS-1				

SCHEDULE OF QUANTITIES

PAY ITEM	UNITS	TOTAL
CONDUIT PUSHED, 2" DIA., GALVANIZED STEEL	FOOT	111
HANDHOLE	EACH	1
HEAVY-DUTY HANDHOLE	EACH	1
MAINTENANCE OF EXISTING TRAFFIC SIGNAL INSTALLATION	EACH	1
TRANSCEIVER - FIBER OPTIC	EACH	1
ELECTRIC CABLE IN CONDUIT, LEAD-IN, NO. 14 1 PAIR	FOOT	2,035
DRILL EXISTING HANDHOLE	EACH	18
TRAFFIC SIGNAL BACKPLATE, LOUVERED, ALUMINUM	EACH	10
INDUCTIVE LOOP DETECTOR	EACH	9
DETECTOR LOOP, TYPE I	FOOT	725
REMOVE EXISTING TRAFFIC SIGNAL EQUIPMENT	EACH	1
REMOVE EXISTING HANDHOLE	EACH	1
ELECTRIC CABLE IN CONDUIT, GROUNDING, NO. 6 1C	FOOT	353
SIGNAL HEAD, LED, 1-FACE, 3-SECTION, MAST ARM MOUNTED	EACH	6
SIGNAL HEAD, LED, 1-FACE, 3-SECTION, BRACKET MOUNTED	EACH	1
SIGNAL HEAD, LED, 1-FACE, 5-SECTION, MAST ARM MOUNTED	EACH	4
SIGNAL HEAD, LED, 2-FACE, 1-3 SECTION, 1-5 SECTION, BRACKET MOUNTED	EACH	4
PEDESTRIAN SIGNAL HEAD, LED, 2-FACE, BRACKET MOUNTED	EACH	4
UNINTERRUPTIBLE POWER SUPPLY	EACH	1

CABLE PLAN LEGEND

EXISTING	PROPOSED	
(G)	(G)	8" (200mm) TRAFFIC SIGNAL SECTION
(R)	(R)	12" (300mm) TRAFFIC SIGNAL SECTION
(W)	(W)	12" (300mm) PEDESTRIAN SIGNAL SECTION
(H)	(H)	12" (300mm) PEDESTRIAN SIGNAL SECTION
(C)	(C)	CONTROLLER CABINET
(S)	(S)	SERVICE INSTALLATION
(V)	(V)	VEHICLE DETECTOR, INDUCTION LOOP
(T)	(T)	TELEPHONE INSTALLATION
(M)	(M)	MAGNETIC DETECTOR
(E)	(E)	EMERGENCY VEHICLE LIGHT DETECTOR
(B)	(B)	CONFIRMATION BEACON
(P)	(P)	PUSHBUTTON DETECTOR
(2)	(2)	DENOTES NUMBER OF CONDUCTORS, ALL CABLE NO. 14 EXCEPT AS INDICATED. ALL LOOP DETECTOR CABLE TO BE SHIELDED.
(1)	(1)	GROUND CABLE IN CONDUIT NO. 6 SOLID COPPER (GREEN)
(24)	(24)	FIBER OPTIC CABLE IN CONDUIT NO. 62.5/125 2-MM12F SM12F
(R Y G Y G)	(R Y G Y G)	SIGNAL FACE WITH BACK PLATE "P" INDICATES PROGRAMMED HEAD.
(E)	(E)	RAILROAD CONTROL CABINET
(E)	(E)	ILLUMINATED SIGN "NO LEFT TURN"
(E)	(E)	ILLUMINATED SIGN "NO RIGHT TURN"
H/C	C	GROUND ROD AT HANDHOLE (H), DOUBLE HANDHOLE (H), OR CONTROLLER (C)
P	P	GROUND ROD AT POST (P) OR MAST ARM POLE (MA)
S	S	GROUND ROD AT ELECTRIC SERVICE INSTALLATION
(U)	(U)	UNINTERRUPTIBLE POWER SUPPLY (UPS)



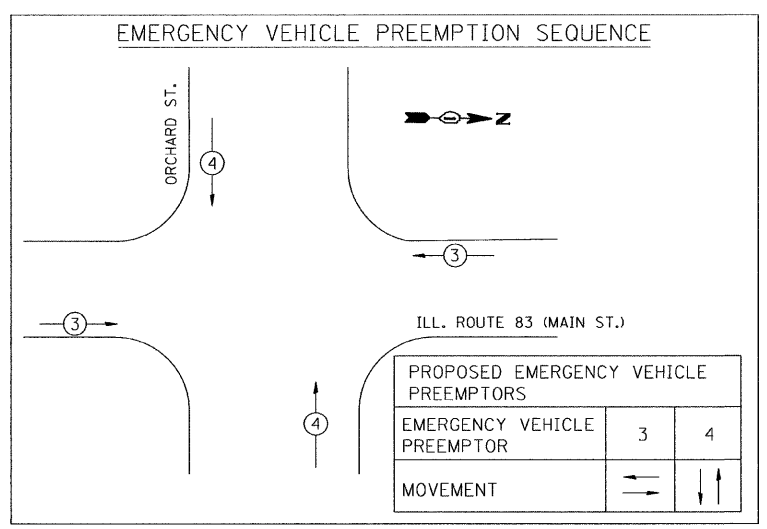
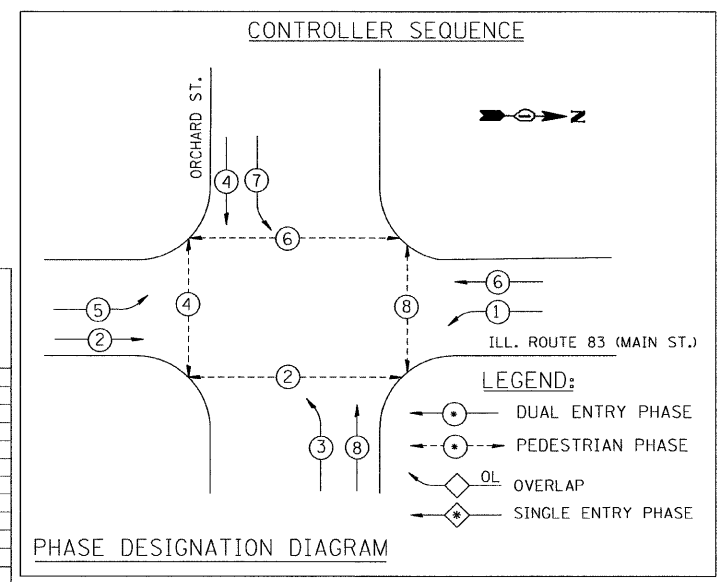
PUSH BUTTON NOTES

PUSH BUTTON "A" SHALL PLACE A CALL IN PHASES 2 AND 4

PUSH BUTTON "B" SHALL PLACE A CALL IN PHASES 4 AND 6

PUSH BUTTON "C" SHALL PLACE A CALL IN PHASES 6 AND 8

PUSH BUTTON "D" SHALL PLACE A CALL IN PHASES 2 AND 8



NOTE: EQUIPMENT GROUND CONDUCTOR (GREEN COLOR CODED) SPLICE TO FRAME AND COVER IS REQUIRED FOR ALL HANDHOLES AND DOUBLE HANDHOLES THAT CARRY SIGNAL CABLES AND SERVICE CABLES.

I.D.O.T. TRAFFIC SIGNAL INSTALLATION ELECTRICAL SERVICE REQUIREMENTS

TYPE	NO. LAMPS	WATTAGE (INCAND)	LED	% OPERATION	TOTAL WATTAGE
SIGNAL (RED)	19	135	17	0.50	161.5
(YELLOW)	19	135	25	0.25	118.75
(GREEN)	19	135	15	0.25	71.25
ARROW	16	135	12	0.10	19.2
PED. SIGNAL	8	90	25	1.00	200
CONTROLLER	1	100	100	1.00	100
ILLUM. SIGN	-	84	35	0.05	-
FLASHER		135	25	0.50	-
TOTAL =					670.7

ENERGY COST TO: Illinois Department of Transportation
Division of Highways / District 1
201 W Center Court/Schaumburg, Illinois 60196-1096

ENERGY SUPPLY: CONTACT: Mr. Amador Velez
PHONE: 847-816-5248
COMPANY: ComEd

FOUNDATION (DEPTH)	(FT.) (m)	CABLE SLACK (FT.) (m)	CABLE SLACK (FT.) (m)	CABLE SLACK (FT.) (m)	
TYPE A - POST	4 (1.2)	HANDHOLE	6.5 (2.0)	ALL FOUNDATIONS	3.5 (1.0)
D - CONTROLLER	4 (1.2)	DOUBLE HANDHOLE	13 (4.0)	MAST ARM (L) POLE	20'-H-2'- (6m)-H-0.6m
E - M. ARM POLE		SIGNAL POST	2 (0.6)	BRACKET MOUNTED	13 (4.0)
		24" (600mm)	10 (3.0)	PED. PUSHBUTTON	4 (1.2)
		30" (750mm)	15 (4.6)	ELECTRIC SERVICE	13.5 (4.1)
				SERVICE TO GROUND	13.5 (4.1)
				POST MOUNTED	6 (1.8)



ILLINOIS DEPARTMENT OF TRANSPORTATION

CABLE PLAN, PHASE DESIGNATION DIAGRAM, SCHEDULE OF QUANTITIES AND EMERGENCY VEHICLE PREEMPTION SEQUENCE ILL. ROUTE 83 (MAIN ST.) AND ORCHARD STREET

SCALE: NONE
DATE: 1/30/09

DRAWN BY: RV
DESIGNED BY: RS
CHECKED BY: AZ

C:\2009\0824_N\Files Transfer\In\KAM\7-9-08\Contract B\TS-26.sht 1/27/2009