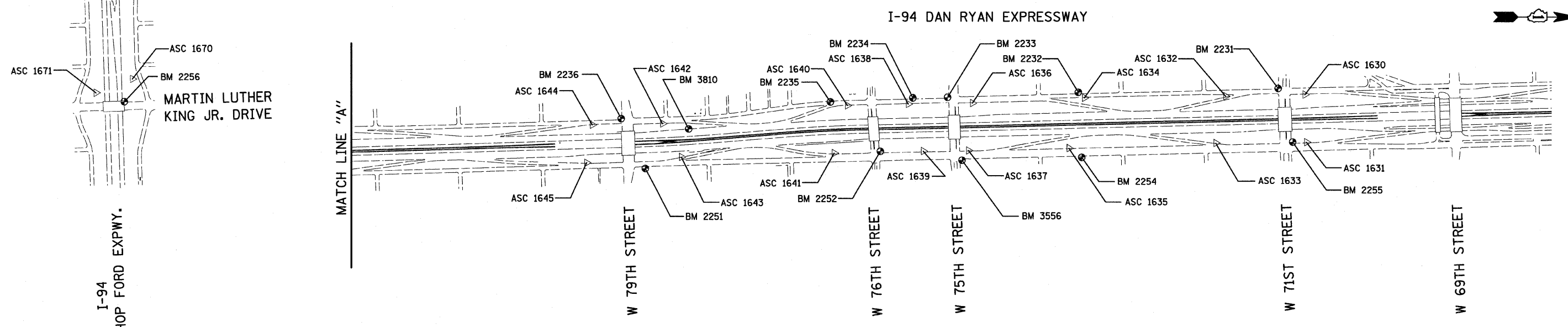
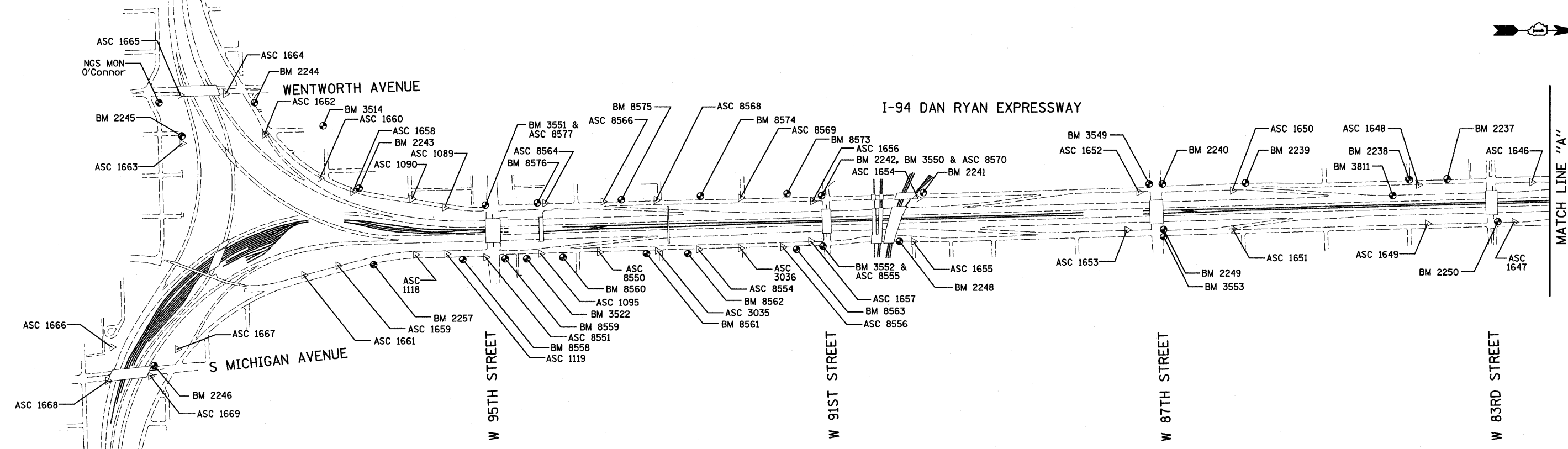


F.A.I. RTE.	SECTION	COUNTY	TOTAL SHEETS	SHEET NO.
94 (1516.1&1717) I-8		COOK	40	10
STA. 2248+65.17	TO STA. 2258+61.09			
FED. ROAD DIST. NO.	ILLINOIS	FED. AID PROJECT		

62972

I-57 EXPWY
SEE SHEET 2 OF 7
MATCH LINE "B"



American Surveying Consultants, P.C.
SURVEYING-ENGINEERING-GEODESY-MAPPING-SCIENTISTS
1837 Piquette Ave., Chicago, IL 60601 800 N. Northway, Chicago, IL 60601
312-467-8231 312-467-8232

REVISIONS	
NAME	DATE

ILLINOIS DEPARTMENT OF TRANSPORTATION
F.A.I. 94 (DAN RYAN EXPRESSWAY)
SURVEY TIES FOR CONTROL POINTS
SHEET 1 OF 7
SCALE: 1"=400'
DATE: OCTOBER 17, 2008
DRAWN BY: GSP
CHECKED BY: MMW

P:\02373\road\2258\22581035.dwg 10/17/2008 10:44:57 AM