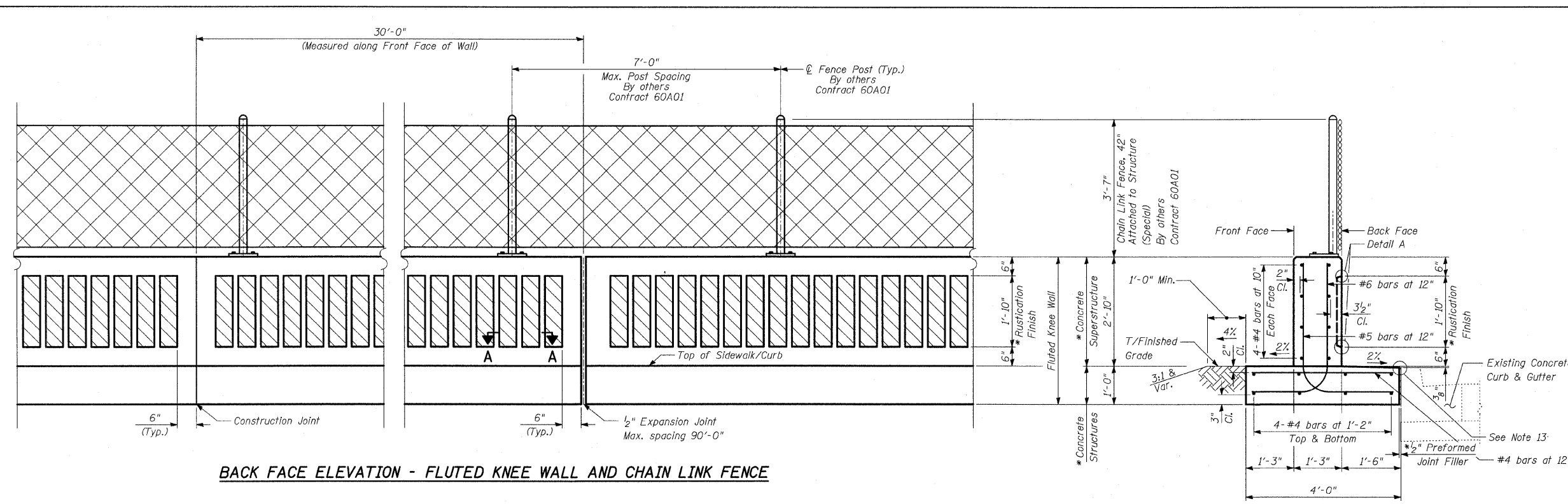


F.A.I. RTE.	SECTION	COUNTY	TOTAL SHEETS	SHEET NO.
94 (1516.1&1717) I-8	COOK	40	22	
STA. 2248+65.17	TO STA. 2258+61.09			
FED. ROAD DIST. NO.	ILLINOIS	FED. AID PROJECT		

62972

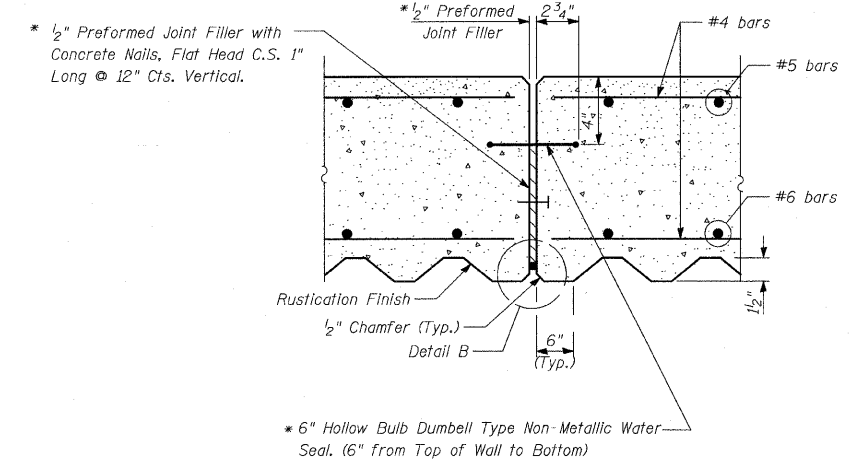
NOTES:

1. Reinforcement Bars Shall Conform to the Requirements of AASHTO M-31 or M-322 Grade 60. All Reinforcement bars shall be epoxy coated.
2. Concrete: $f'c = 3500$ psi
3. Fluted Knee Wall shall be paid for per foot as "Fluted Knee Wall." Included in the cost of "Fluted Knee Wall" shall be "Concrete Superstructure" stem, "Concrete Structures" foundation, reinforcement bars (epoxy coated), rustication finish, protective coat, expansion joint filler and sealing compound.
4. At Locations Where Fluted Knee Wall Abuts a Rigid Structure, a $\frac{1}{2}$ " Thick Preformed Expansion Joint Filler Conforming to the Shape of the Structure Shall be Installed Between the Wall and the Structure. A $\frac{1}{2}$ " PJF Shall be Installed where Fluted Knee Wall footing abuts curb and gutter. The cost shall be included in "Fluted Knee Wall".
5. Quantities shown in "BILL OF MATERIAL" are for one (1) linear foot of "Fluted Knee Wall".
6. Chain Link Fence, 42" Attached to Structure will not be paid for in this contract, but shall be furnished and installed by others in Contract 60A01.
7. Protective Coat shall be applied according to Section 503.19 of the Standard Specifications to all concrete surfaces not in contact with soil for the typical section of the fluted knee wall. The cost shall be included in "Fluted Knee Wall".
8. All concrete edges shall be chamfered $\frac{3}{4}$ " except as noted.
9. All Expansion Joints shall be at Maximum spacing of 90' with construction joints at 30'.
10. All construction joints shall be bonded.
11. The top of the footing shall be broom finished.
12. All required excavation shall be included in the cost of "Earth Excavation".
13. The top edge of Knee Wall Footing or Concrete Median Surface, 5" (Modified) shall be $\frac{3}{8}$ " higher than the top of Existing Curb to account for future commitment.

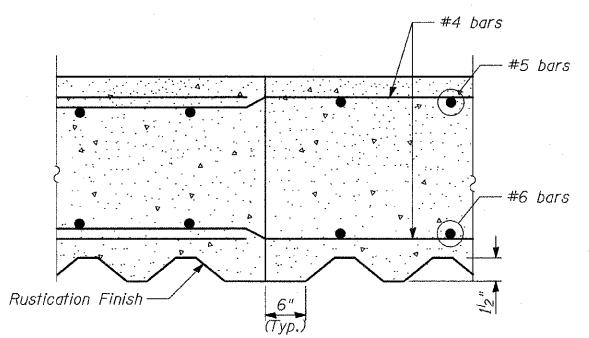


BACK FACE ELEVATION - FLUTED KNEE WALL AND CHAIN LINK FENCE

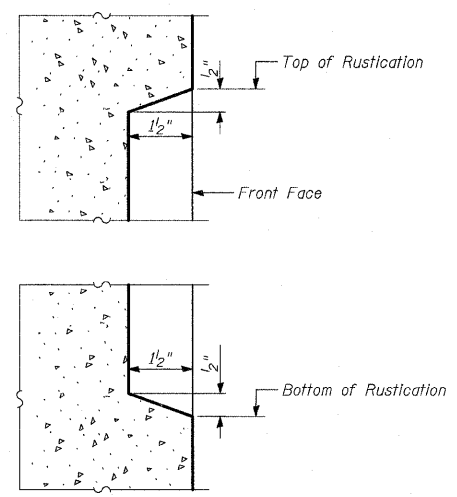
TYPICAL SECTION FLUTED KNEE WALL
Sta. 2249+09.4 to Sta. 2251+09.9



EXPANSION JOINT DETAILS



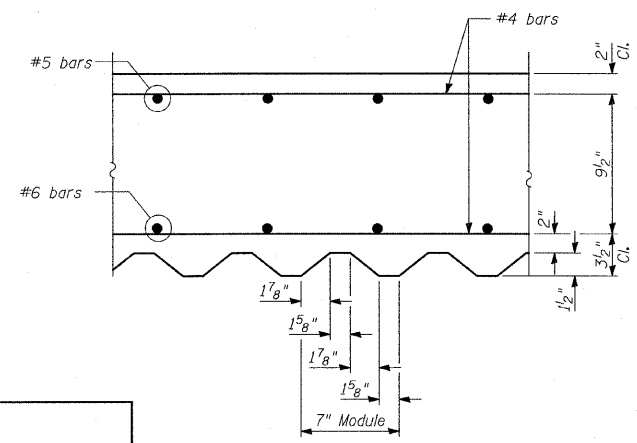
CONSTRUCTION JOINT DETAILS



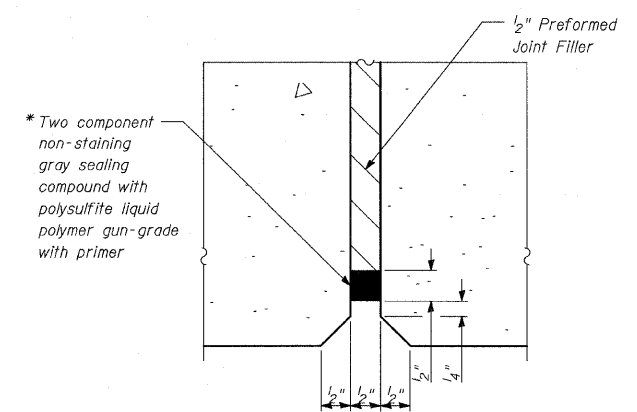
DETAIL A

LAP SPLICES

Bar	Lap
#4	1'-8"
#5	2'-2"
#6	2'-7"



SECTION A-A

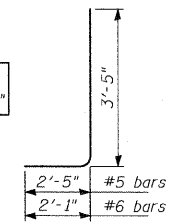


DETAIL B

BILL OF MATERIAL

QUANTITIES PER FOOT OF FLUTED KNEE WALL		
ITEM	UNIT	TOTAL
Concrete Structures	CU YD	0.15
Concrete Superstructure	CU YD	0.14
Protective Coat	SQ YD	1.08
Rustication Finish	SQ FT	1.84
Reinforcement Bars, Epoxy Coated	POUND	27.5

BARS BEND DETAILS



REVISIONS	
NAME	DATE

ILLINOIS DEPARTMENT OF TRANSPORTATION
F.A.I. 94 (DAN RYAN EXPRESSWAY)
N. OF 89TH ST. TO S. OF 87TH ST.
FLUTED KNEE WALL STANDARD DETAILS

S.N. DESIGNED BY: MAF
SCALE: N.T.S. DRAWN BY: MAF, TB
DATE: OCTOBER 17, 2008 CHECKED BY: MI

TYLIN INTERNATIONAL

D:\0231\3\structural\0231\w25car\st01.dwg 10/17/2008 11:34:05 AM