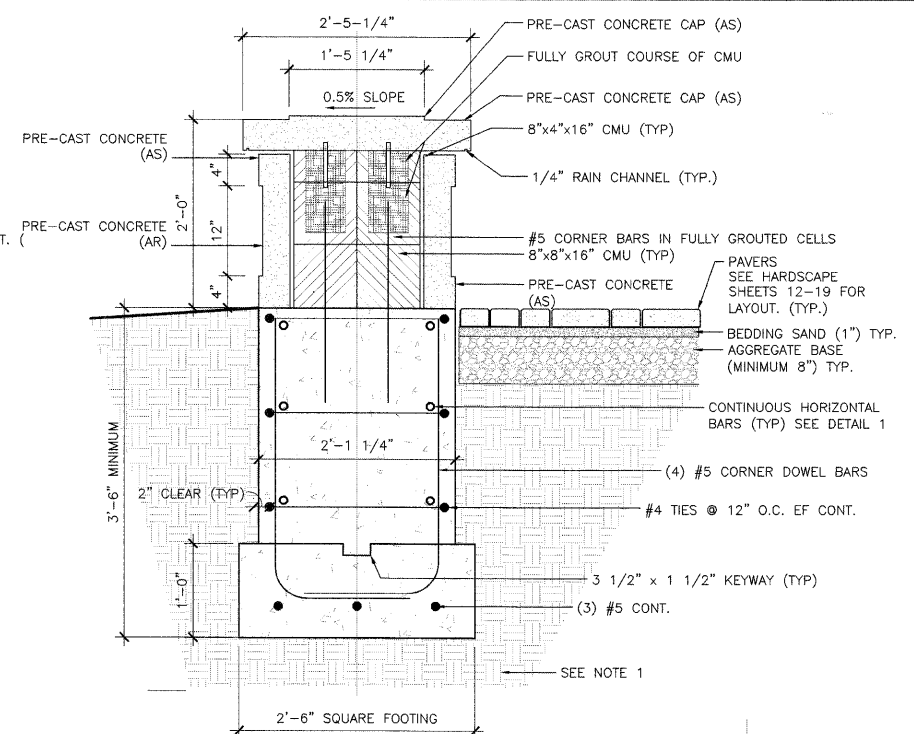
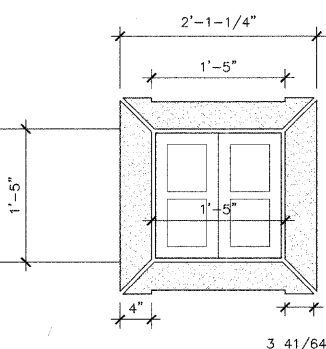


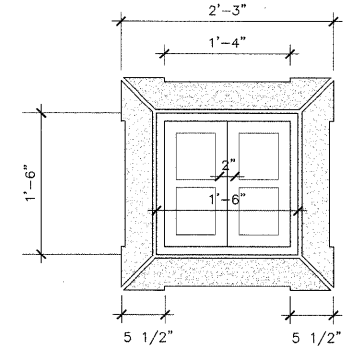
1 SEATWALL DETAIL
SCALE 1"=1'-0"



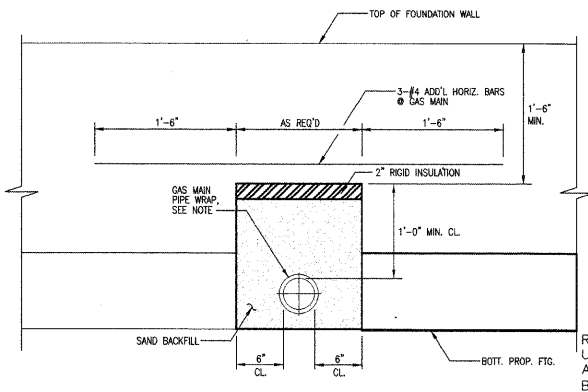
2 PILLAR DETAIL
SCALE 1"=1'-0"



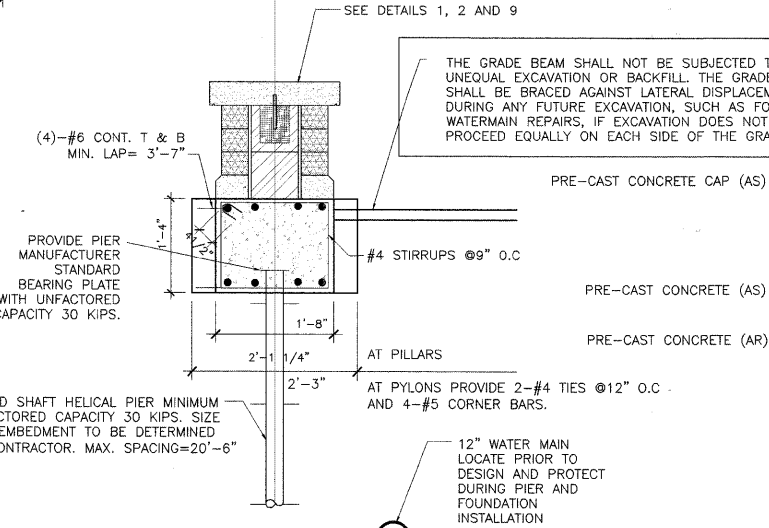
3 PILLAR SECTION
SCALE 1"=1'-0"



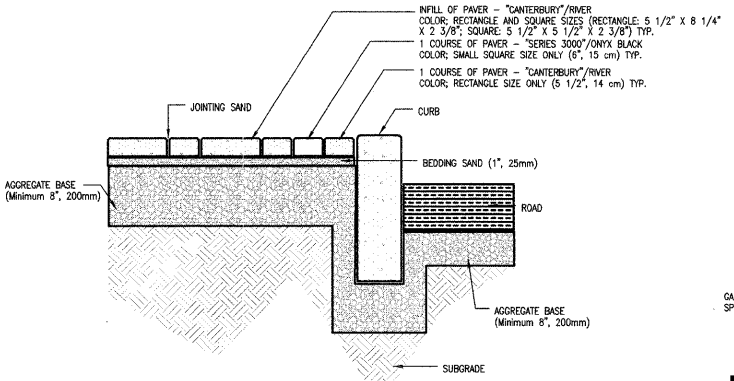
4 PYLON SECTION
SCALE 1"=1'-0"



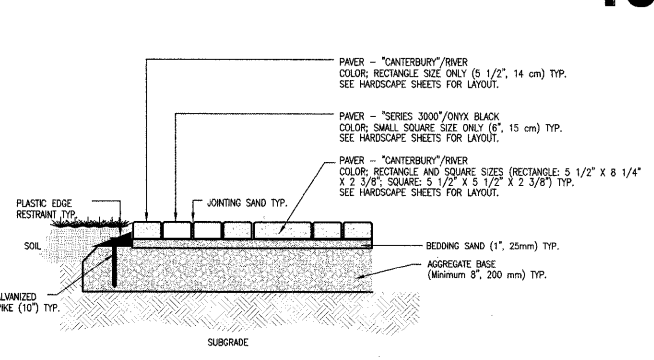
5 UTILITY RUNNING THROUGH CONCRETE (TYP)
SCALE 1"=1'-0"



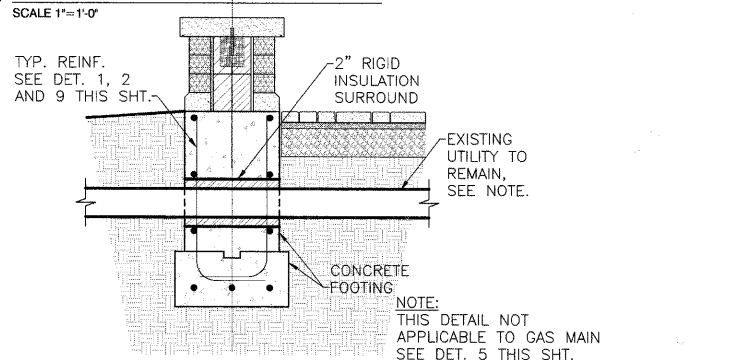
10 GRADE BEAM AT 58TH STREET INTERSECTION WEST SIDE - SEATWALL
SCALE 1"=1'-0"



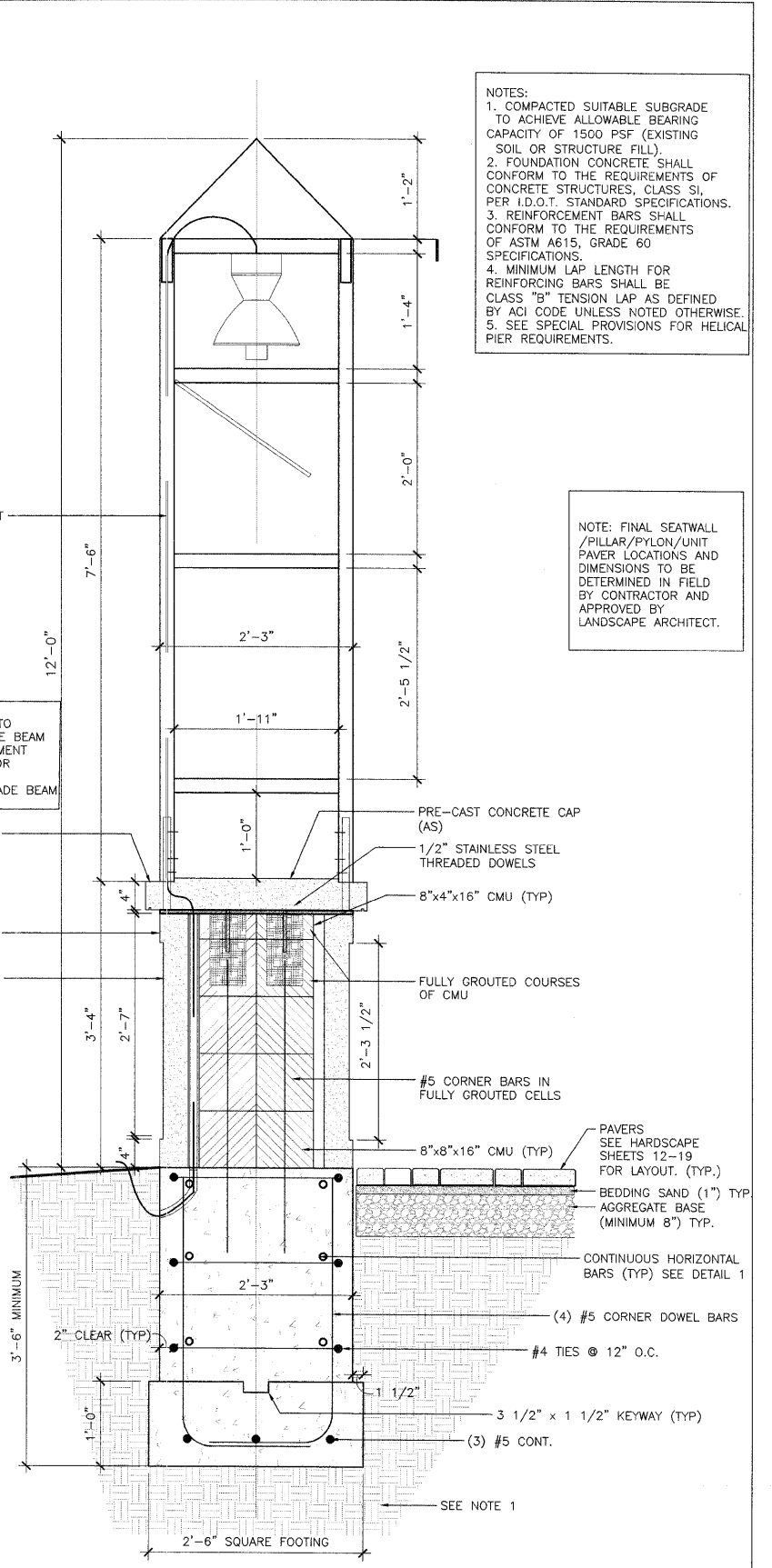
6 UNIT PAVER/CURB DETAIL
SCALE 1"=1'-0"



7 UNIT PAVER/PLANTING EDGE DETAIL
SCALE 1"=1'-0"



8 TYPICAL DETAIL FOR UTILITIES RUNNING THROUGH CONCRETE WALL
SCALE 1"=1'-0"



9 PYLON DETAIL
SCALE 1"=1'-0"

NOTES:
1. COMPACTED SUITABLE SUBGRADE TO ACHIEVE ALLOWABLE BEARING CAPACITY OF 1500 PSF (EXISTING SOIL OR STRUCTURE FILL).
2. FOUNDATION CONCRETE SHALL CONFORM TO THE REQUIREMENTS OF CONCRETE STRUCTURES, CLASS SI, PER I.D.O.T. STANDARD SPECIFICATIONS.
3. REINFORCEMENT BARS SHALL CONFORM TO THE REQUIREMENTS OF ASTM A615, GRADE 60 SPECIFICATIONS.
4. MINIMUM LAP LENGTH FOR REINFORCING BARS SHALL BE CLASS "B" TENSION LAP AS DEFINED BY ACI CODE UNLESS NOTED OTHERWISE.
5. SEE SPECIAL PROVISIONS FOR HELICAL PIER REQUIREMENTS.

NOTE: FINAL SEATWALL/PILLAR/PYLON/UNIT PAVER LOCATIONS AND DIMENSIONS TO BE DETERMINED IN FIELD BY CONTRACTOR AND APPROVED BY LANDSCAPE ARCHITECT.

C:\C:\WorkSpace\MURPHY\JM-FS-0044.D-Trans_07\2202\2043-001\Arch\CAD\01_Design\AIA_Teng\Sheet\1011A001_Pyl.dwg 04-30-2009 11:42:41 (XREF) ...

FILE NAME =	USER NAME = \$USER\$	DESIGNED --	REVISED --	STATE OF ILLINOIS DEPARTMENT OF TRANSPORTATION	MASONRY DETAILS WALL DETAILS	F.A. RTE.	SECTION	COUNTY	TOTAL SHEETS	SHEET NO.	
\$FILES\$		DRAWN -- ICJ	REVISED --			RTE.	07-00035-00-LS	COOK	42	20	
	PLOT SCALE = \$SCALE\$	CHECKED -- BS	REVISED --			CONTRACT NO. 63059					
	PLOT DATE = 8/22/08	DATE -- 4/30/09	REVISED --			FED. ROAD DIST. NO. 1 ILLINOIS FED. AID PROJECT					

TENG
TENG & ASSOCIATES, INC.
ENGINEERS/ARCHITECTS/PLANNERS
205 N. MICHIGAN AVE., CHICAGO, IL 60601
TELEPHONE: 312/616-0000