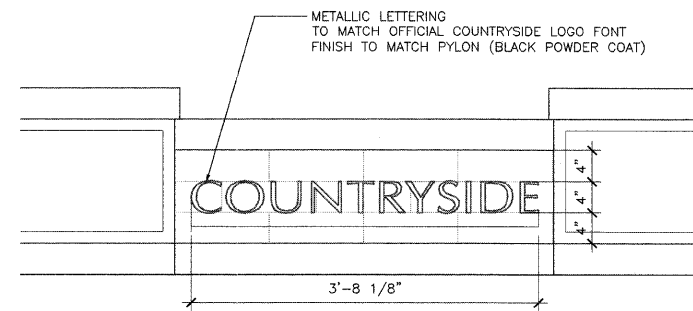
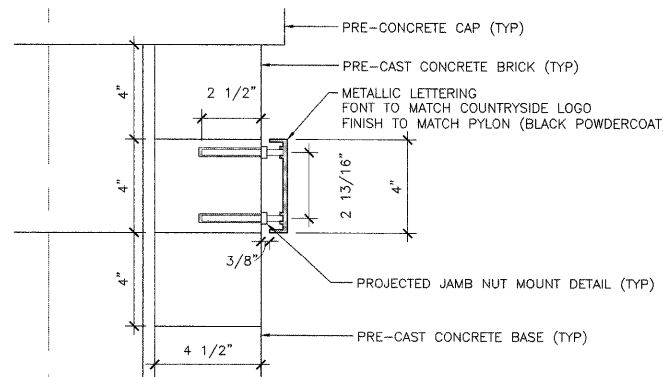


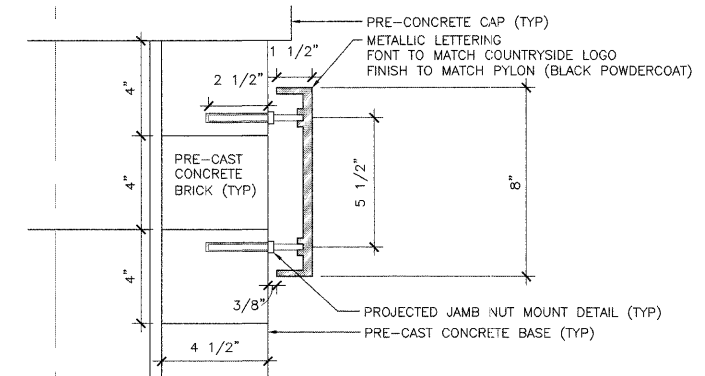
1 SIGNAGE DETAIL AT 58TH STREET WEST WALL
SCALE 1"=1'-0"



3 SIGNAGE DETAIL AT WALLS 57TH STREET NE & SW
SCALE 1"=1'-0"

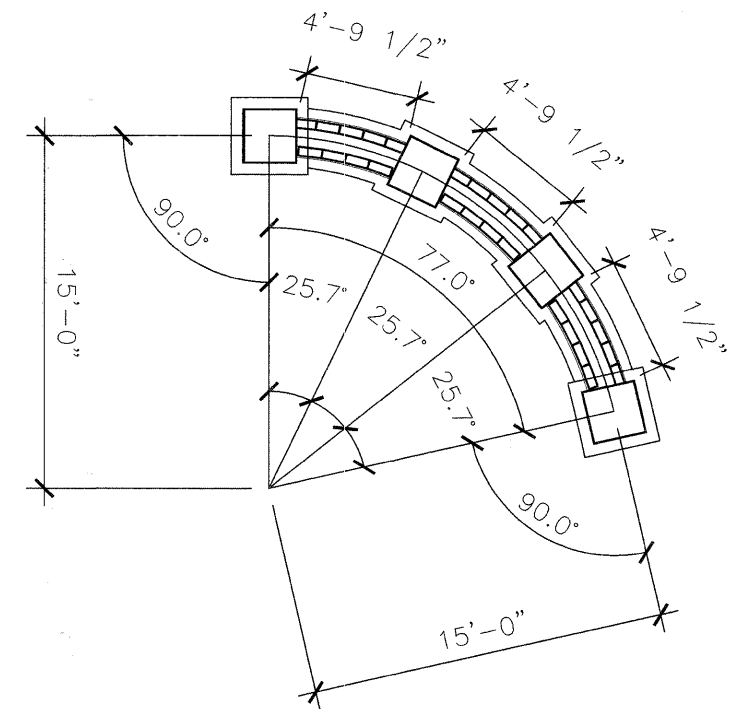


4 SIGNAGE MOUNTING DETAIL AT 57TH STREET NE & SW
SCALE 3"=1'-0"

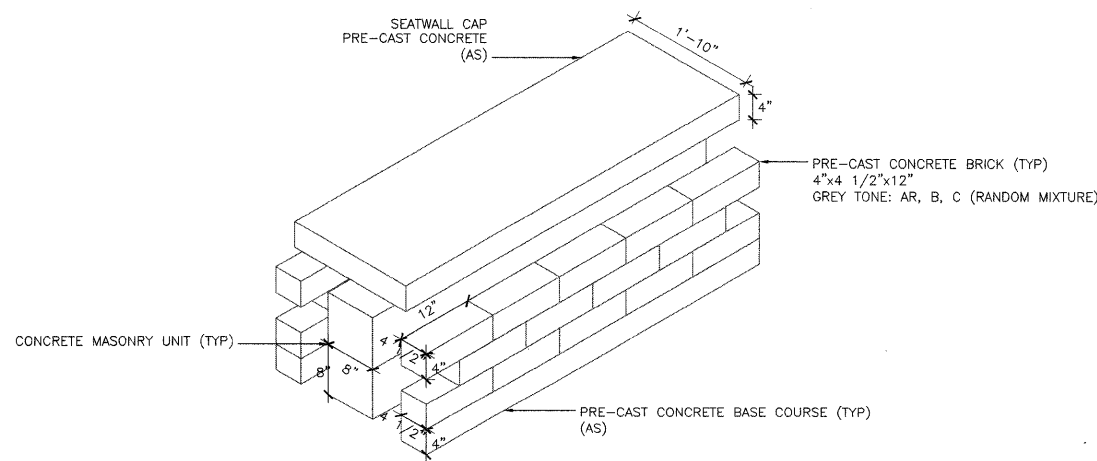


2 SIGNAGE MOUNTING DETAIL AT 58TH STREET
SCALE 3"=1'-0"

NOTE: FINAL SEATWALL/PILLAR/PYLON/UNIT PAVER/SIGNAGE LOCATIONS AND DIMENSIONS TO BE DETERMINED IN FIELD BY CONTRACTOR AND APPROVED BY LANDSCAPE ARCHITECT.



7 TYPICAL CURVED WALL DETAIL (57TH STREET INTERSECTION)
SCALE 1/4"=1'-0"



5 TYPICAL SEATWALL ISOMETRIC VIEW
SCALE 1"=1'-0"

MATERIAL	COLOR	FINISH
AR	WHITE	ROUGH
AS	WHITE	SMOOTH
B	BUFF	ROUGH
C	LIGHT GREY	ROUGH

*NOTE: COLORS AND FINISHES TO BE CHOSEN PER AWARDED CONTRACT

6 MASONRY COLORS AND FINISHES
SCALE NTS

FILE NAME = \$FILE\$	USER NAME = \$USER\$	DESIGNED --	REVISED --	STATE OF ILLINOIS DEPARTMENT OF TRANSPORTATION	SIGNAGE DETAILS WALL DETAILS	F.A. RTE. =	SECTION	COUNTY	TOTAL SHEETS	SHEET NO.	
	PLOT SCALE = \$SCALE\$	DRAWN -- ICJ	REVISED --			RTE. =	07-00035-00-LS	COOK	42	21	
	PLOT DATE = 8/22/08	CHECKED -- BS	REVISED --			CONTRACT NO. 63059					
		DATE -- 4/30/09	REVISED --			FED. ROAD DIST. NO. 1 ILLINOIS FED. AID PROJECT					
				SCALE:		STA.		TO STA.			

TENG

TENG & ASSOCIATES, INC.
ENGINEERS/ARCHITECTS/PLANNERS
205 N. MICHIGAN AVE. CHICAGO, IL 60601
TELEPHONE: 312/616-0000

C:\IC-WorkSpace\MURPHY\JTM\F-0144.D-Trans_07-2202\20433-001\Arch\CAD\01 Design\1A Teng\Sheet\1A002_PYL.dwg
04-30-2009 11:42:56 XREF: \Xref\1A001.dwg XREF: \Xref\1A001.dwg XREF: \Xref\1A001.dwg XREF: \Xref\1A001.dwg