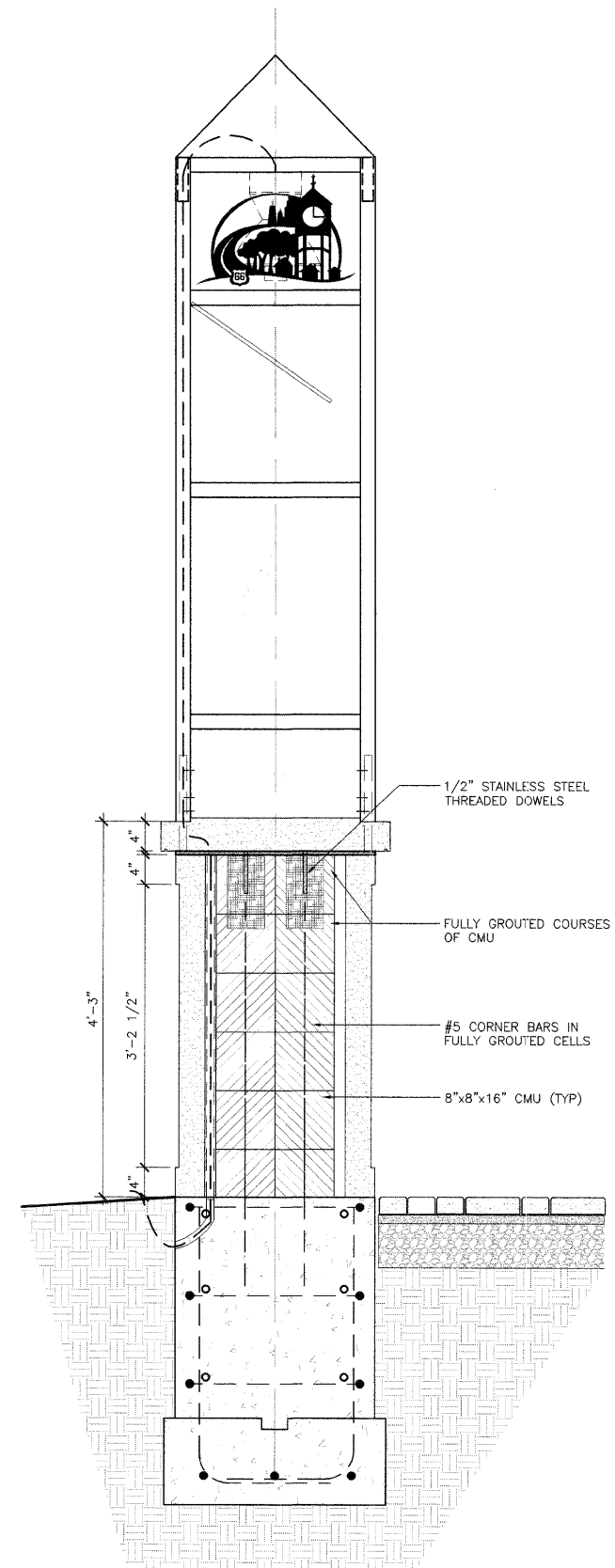
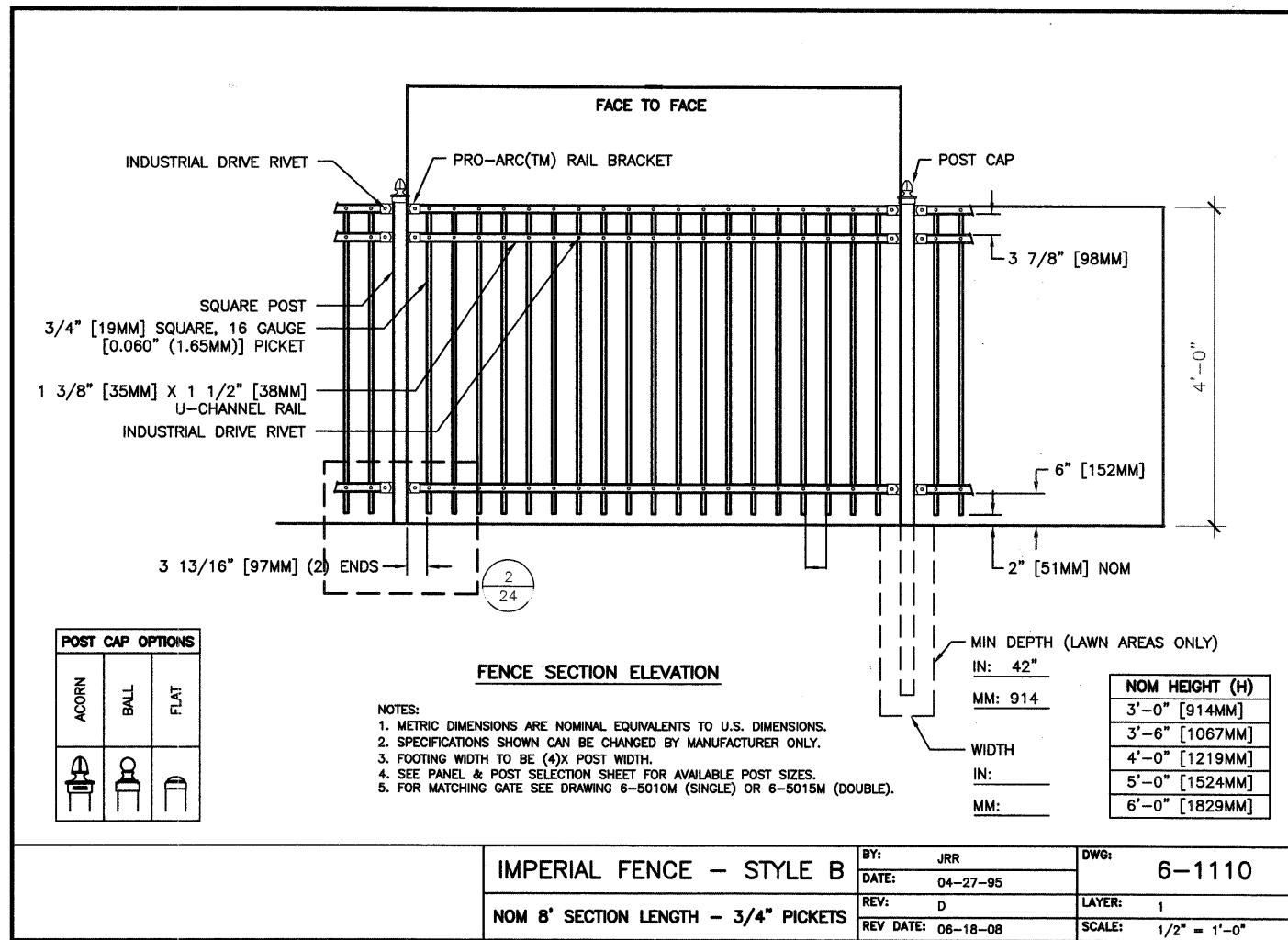
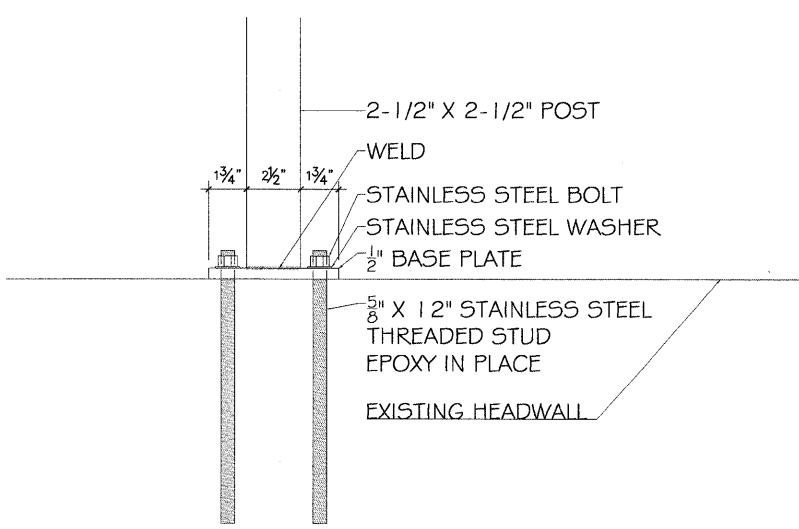


NOTE: FINAL SEATWALL/PILLAR/PYLON/UNIT PAVER/SIGNAGE LOCATIONS AND DIMENSIONS TO BE DETERMINED IN FIELD BY CONTRACTOR AND APPROVED BY LANDSCAPE ARCHITECT.



3 59TH STREET PYLON DETAIL
 SCALE: 1" = 1'-0"

1 59TH STREET FENCING DETAIL - (IMPERIAL FENCE B)
 NOT TO SCALE



2 59TH STREET FENCING MOUNTING ON HEADWALL DETAIL
 NOT TO SCALE

FILE NAME = \$FILEL\$	USER NAME = \$USER\$	DESIGNED --	REVISED --	STATE OF ILLINOIS DEPARTMENT OF TRANSPORTATION	59TH STREET PYLON DETAILS WALL DETAILS	F.A. RTE.:	SECTION	COUNTY	TOTAL SHEETS	SHEET NO.	
		DRAWN -- ICJ	REVISED --			RTE.:	07-00035-00-LS	COOK	42	24	
		CHECKED -- BS	REVISED --			CONTRACT NO. 63059					
		DATE -- 4/30/09	REVISED --			FED. ROAD DIST. NO. 1 ILLINOIS FED. AID PROJECT					
				SCALE:	STA.	TO STA.					

TENG
 TENG & ASSOCIATES, INC.
 ENGINEERS/ARCHITECTS/PLANNERS
 205 N. MICHIGAN AVE. CHICAGO, IL 60601
 TELEPHONE: 312/618-0000

C:\IC-WorkSpace\MURPHY\JT\N\Fs-0044\J-F-Trans_07\2202\20433-001\Arch\CAD\01_Design\LA Teng\Sheet\011A003_PYL.dwg
 04-30-2009 11:43:06 (XREF) ..Xref\011A001.dwg (XREF) ..Xref\011A001.dwg (XREF) ..Xref\011A001.dwg (XREF) ..Xref\011A001.dwg