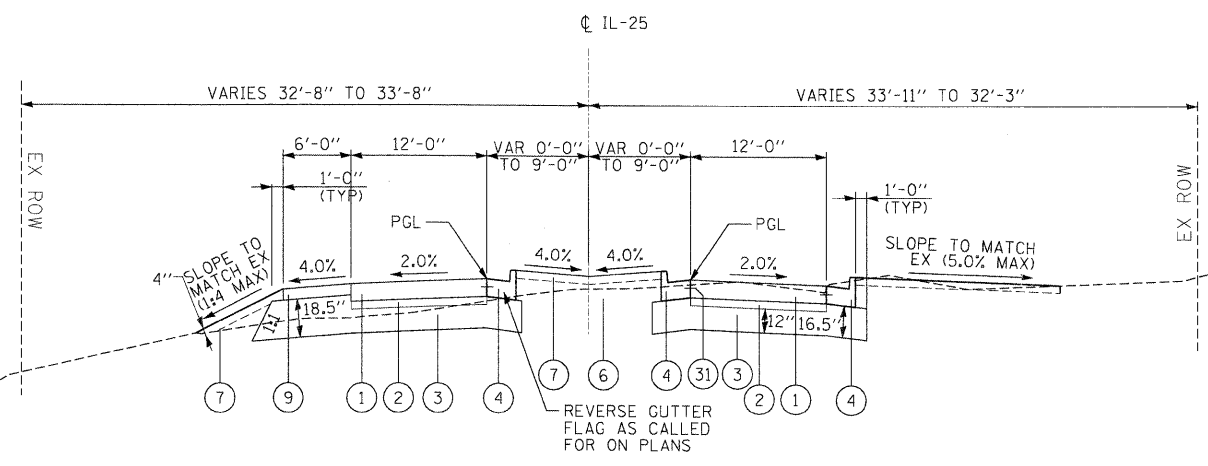


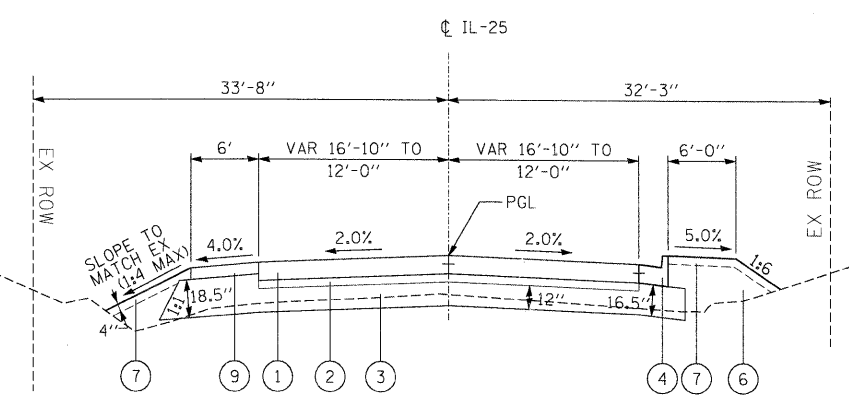
LEGEND

- ① PORTLAND CEMENT CONCRETE PAVEMENT, 10" (JOINTED)
- ② STABILIZED SUB-BASE, HOT-MIX ASPHALT, 4 1/2"
- ③ SUB-BASE GRANULAR MATERIAL, TYPE B, 12" & VARIES
- ④ COMBINATION CONCRETE CURB AND GUTTER B6.24
- ⑤ HOT-MIX ASPHALT SHOULDERS, 8" (IN 3 LIFTS)
- ⑥ EARTH EXCAVATION
- ⑦ TOPSOIL EXCAVATION AND PLACEMENT
- ⑧ CLAY LINER, 8"
- ⑨ PORTLAND CEMENT CONCRETE SHOULDERS, 6"
- ⑩ LONGITUDINAL CONSTRUCTION JOINT (INCLUDED IN COST OF PORTLAND CEMENT CONCRETE PAVEMENT, 10" JOINTED)
- ⑪ AGGREGATE SHOULDERS TYPE B, 8"
- ⑫ POLYMERIZED HOT-MIX ASPHALT SURFACE COURSE, MIX "F", N90, 2"
- ⑬ HOT-MIX ASPHALT BINDER COURSE, IL-19.0, N70, 10 1/2" (IN 5 LIFTS)
- ⑭ AGGREGATE BASE COURSE TYPE B, 6"
- ⑮ GEOTECHNICAL FABRIC FOR GROUND STABILIZATION
- ⑯ COMPACTED LIMESTONE SCREENINGS (FA 5), 2"
- ⑰ STEEL PLATE BEAM GUARD RAIL, TYPE A
- ⑱ NOT USED
- ⑲ NOT USED
- ⑳ LEVELING BINDER (MACHINE METHOD), N70 (3/4" MINIMUM)
- ㉑ COMBINATION CONCRETE CURB AND GUTTER B6.12
- ㉒ CONCRETE MEDIAN, TYPE SB (SPEC)
- ㉓ BICYCLE RAILING
- ㉔ HOT MIX ASPHALT SURFACE COURSE, MIX "C", N50, 2"
- ㉕ HOT MIX ASPHALT BINDER COURSE, IL-19.0 N50, 6 1/2" (IN 3 LIFTS)
- ㉖ SAW CUTS
- ㉗ HOT-MIX ASPHALT SHOULDER, 6" (IN 2 LIFTS)
- ㉘ POLYMERIZED HOT-MIX ASPHALT SURFACE COURSE, MIX "D", N50, 1 1/2"
- ㉙ POLYMERIZED LEVELING BINDER (MACHINE METHOD) IL-4.75, N50, 1 1/2"
- ㉚ PORTLAND CEMENT CONCRETE PAVEMENT, 9"
- ㉛ TIE BARS (INCLUDED IN COST OF COMB CONC CURB & GUTTER AND CONC MEDIAN, TYPE SB (SPEC))

PAID FOR AS
⑯⑥ AGGREGATE
PATH, 8"



IL-25
STA 283+50.00 STA 285+60.00



IL-25
STA 285+60.00 STA 288+00.00

STRUCTURAL DESIGN TRAFFIC:		YEAR	2020
PV = 30,100	SU = 2450	MU = 2450	
ROAD/STREET CLASSIFICATION:		CLASS	I
PERCENT OF STRUCTURAL DESIGN TRAFFIC IN DESIGN LANE:			
P = 32%	S = 45%	M = 45%	
TRAFFIC DATA:		ACTUAL TF =	18.56
		MINIMUM TF =	6.03
SUBGRADE SUPPORT RATING:		SSR =	POOR

x:\3000\3944\engineering\documents\roadway\typical\sections\p-r\in-abc-tp\08.dgn

FILE NAME =	USER NAME = #USER#	DESIGNED - JRM	REVISED -	KANE COUNTY DIVISION OF TRANSPORTATION	PROPOSED TYPICAL SECTION IL 25	F.A. RTE.	SECTION	COUNTY	TOTAL SHEETS	SHEET NO.
#FILES#		DRAWN - INS	REVISED -			361	06-00214-15-BR	KANE/DUPAGE	545	23
PLOT SCALE = 8.3330' / 1"		CHECKED - JNR	REVISED -			CONTRACT NO. 63074				
PLOT DATE = 3/30/2009		DATE - 3/31/09	REVISED -			FED. ROAD DIST. NO. ILLINOIS FED. AID PROJECT				
				SCALE:	SHEET NO. OF SHEETS	STA.	TO STA.			