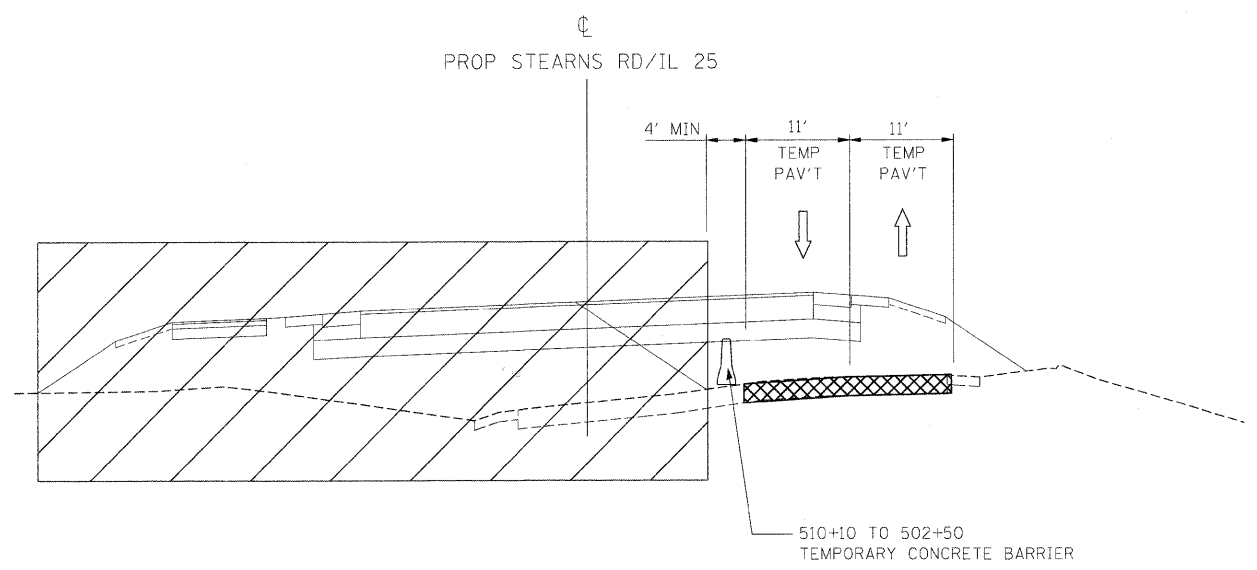
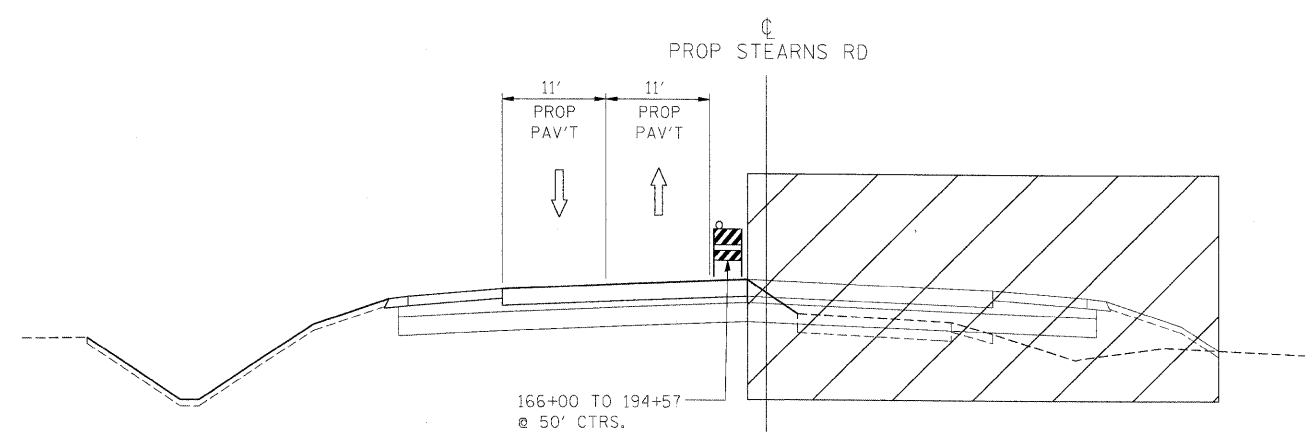


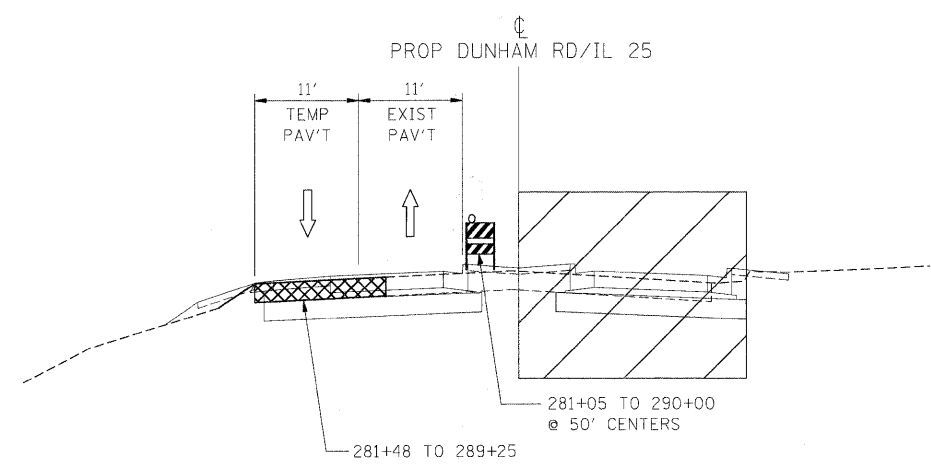
STEARNS ROAD/IL 25
STAGE 2B
484+83 TO 501+10





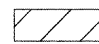
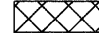
STEARNS ROAD/IL 25
STAGE 2B
501+10 TO 505+00



STEARNS ROAD
STAGE 2B
168+00 TO 191+75



DUNHAM ROAD/IL 25
STAGE 2B
280+20 TO 288+00

- LEGEND
-  TEMPORARY CONCRETE BARRIER
 -  TYPE II BARRICADES OR DRUMS WITH STEADY BURN LIGHTS
 -  WORK ZONE
 -  TEMPORARY PAVEMENT

x:\3900\3944\engineering\documents\DOT\perp\in_abc_mdt2b_lup01.dgn

FILE NAME = #FILES#	USER NAME = #USER#	DESIGNED - BJW	REVISED -
		DRAWN - DMS	REVISED -
		CHECKED - JNR	REVISED -
		DATE - 3/31/09	REVISED -

**KANE COUNTY
DIVISION OF TRANSPORTATION**

**MAINTENANCE OF TRAFFIC
TYPICAL SECTION
STAGE 2B**

SCALE: NTS SHEET NO. OF SHEETS STA. TO STA.

F.A. RTE.	SECTION	COUNTY	TOTAL SHEETS	SHEET NO.
361	06-00214-15-BR	KANE/DUPAGE	545	92
CONTRACT NO. 63074				
FED. ROAD DIST. NO. [ILLINOIS] FED. AID PROJECT				