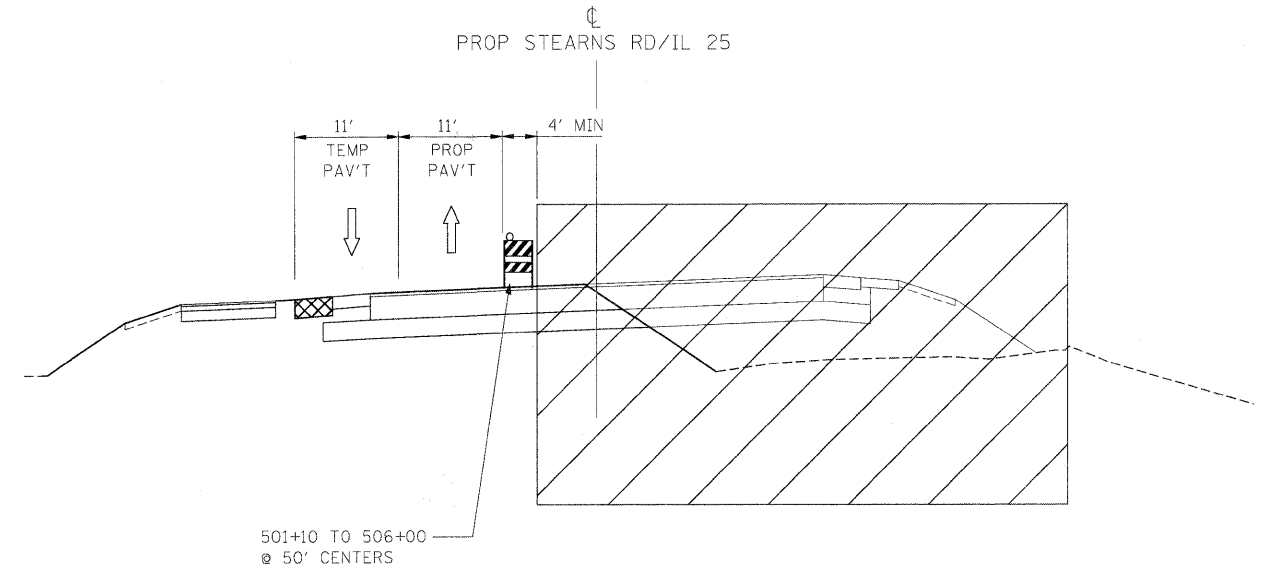


STEARNS ROAD/IL 25
 STAGE 3A
 STA. 484+83 TO 501+10



STEARNS ROAD/IL 25
 STAGE 3A
 501+10 TO 506+00

LEGEND



TYPE II BARRICADES OR DRUMS
 WITH STEADY BURN LIGHTS



WORK ZONE



TEMPORARY PAVEMENT

x:\39006\3944\engineer\p\documents\DOT\p\p\m-ABC\MOT3A_1\p01.dgn

FILE NAME = #FILES#	USER NAME = #USER#	DESIGNED - BJW	REVISED -	KANE COUNTY DIVISION OF TRANSPORTATION	MAINTENANCE OF TRAFFIC TYPICAL SECTION STAGE 3A				F.A. RTE.	SECTION	COUNTY	TOTAL SHEETS	SHEET NO.
		DRAWN - DMS	REVISED -		361	06-00214-15-BR	KANE/DUPAGE	545	93				
		CHECKED - JNR	REVISED -		CONTRACT NO. 63074				FED. ROAD DIST. NO. ILLINOIS FED. AID PROJECT				
		DATE - 3/31/09	REVISED -		SCALE:NTS	SHEET NO. OF SHEETS	STA. TO STA.						