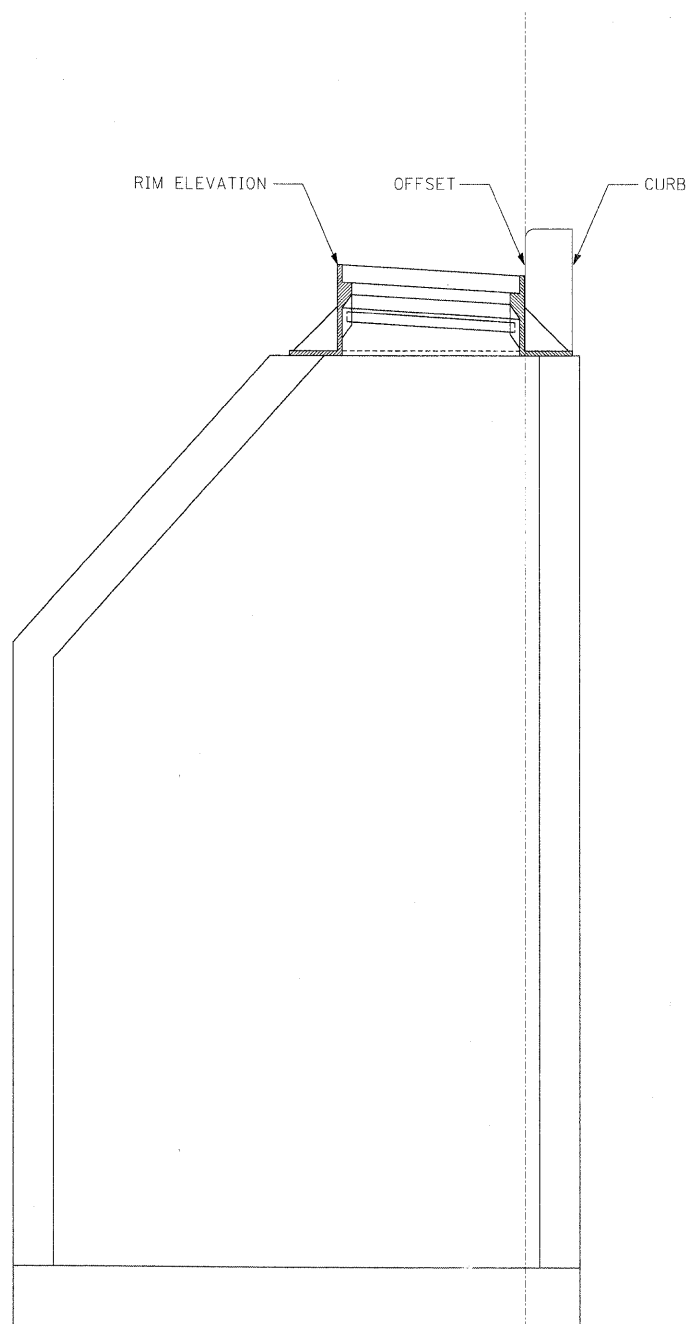
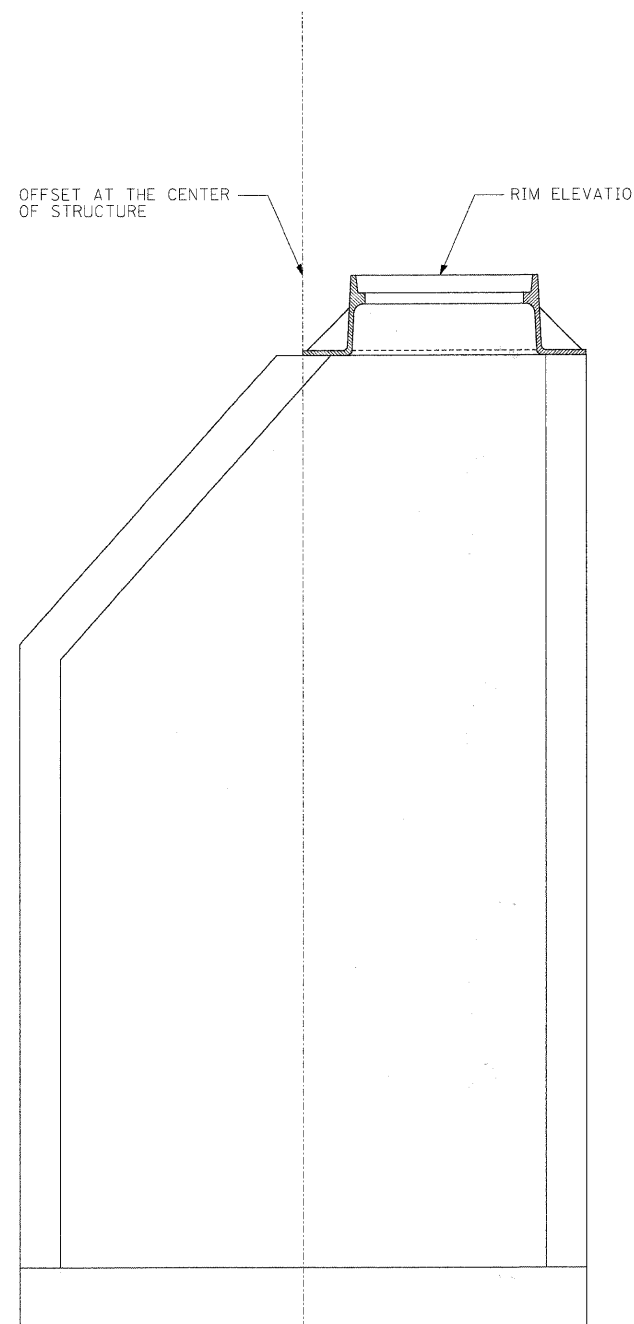


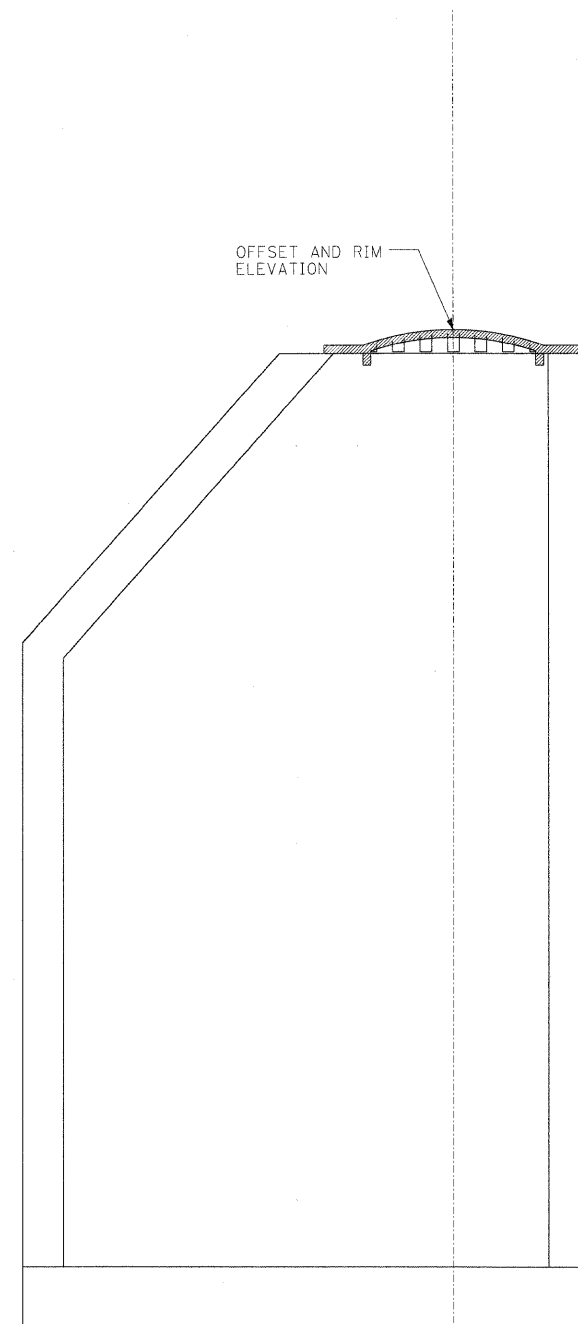
DETAIL A
FRAME AND GRATE TYPE 3, 11



DETAIL B
FRAME AND GRATE TYPE 24



DETAIL C
FRAME AND LID TYPE 1 - CLOSED



DETAIL D
FRAME AND GRATE TYPE 8

NOTES:

1. TYPE OF STRUCTURE MAY VARY
2. NOT TO SCALE

x:\2008\3944\eng\neer\ng_documents\Drawings\p\p\p\p\ABC_drnsch7.dgn

FILE NAME = #FILES#	USER NAME = #USER#	DESIGNED - TJR	REVISED -	KANE COUNTY DIVISION OF TRANSPORTATION	DRAINAGE SCHEDULE				F.A. RTE.	SECTION	COUNTY	TOTAL SHEETS	SHEET NO.		
	PLOT SCALE = 1.0000' / IN.	DRAWN - AAF	REVISED -		SCALE:	SHEET NO.	OF	SHEETS	STA.	TO STA.	361	06-00214-15-BR	KANE/DUPAGE	545	159
	PLOT DATE = 3/31/2009	CHECKED - JNR	REVISED -												
		DATE - 3/31/09	REVISED -												
											CONTRACT NO. 63074			FED. ROAD DIST. NO. ILLINOIS FED. AID PROJECT	