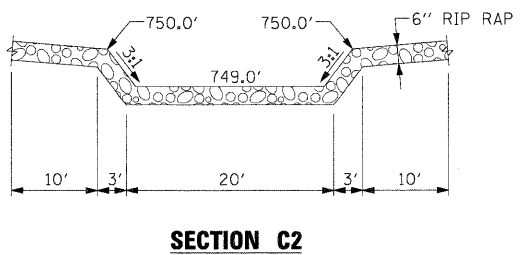
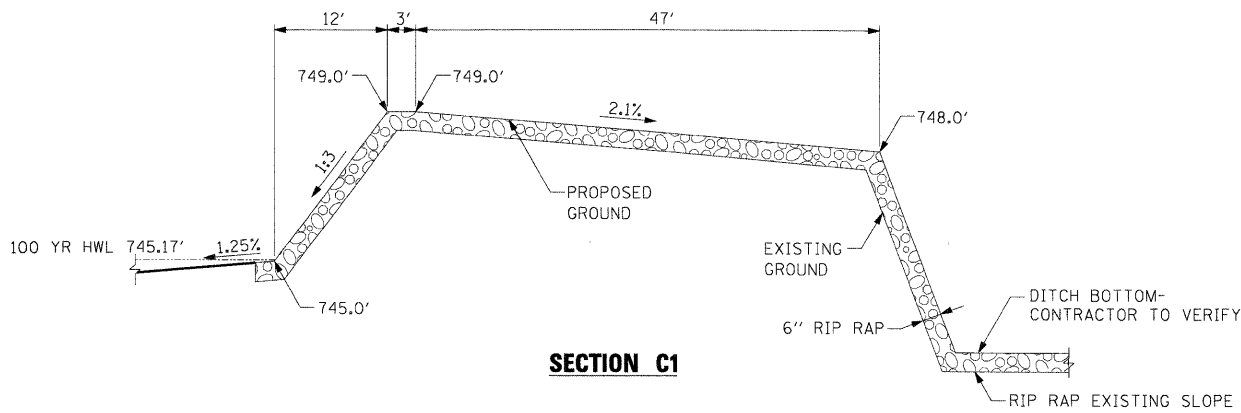
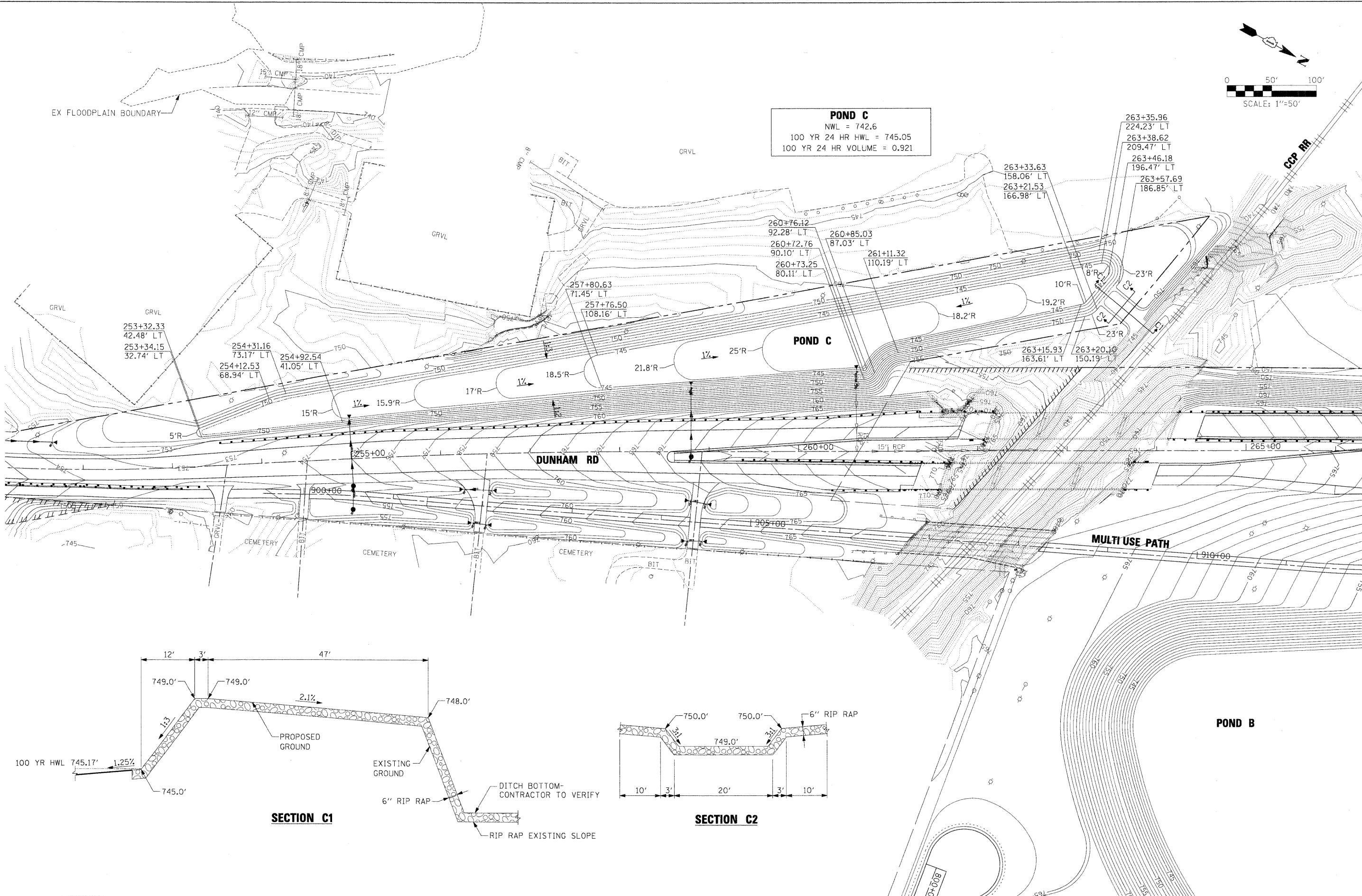


**POND C**  
 NWL = 742.6  
 100 YR 24 HR HWL = 745.05  
 100 YR 24 HR VOLUME = 0.921



x:\2009\3944\engineer\log\_documents\Drainage\prln\_abc\_dun\_drm\pondc\_01.dgn

FILE NAME = #FILES#	USER NAME = #USER#	DESIGNED - TJR	REVISED -	<b>KANE COUNTY DIVISION OF TRANSPORTATION</b>	<b>DRAINAGE AND UTILITY DETENTION POND C</b>			F.A. RTE. 361	SECTION 06-00214-15-BR	COUNTY KANE/DUPAGE	TOTAL SHEETS 545	SHEET NO. 173
	PLOT SCALE = 50.0000' / IN.	DRAWN - AAF	REVISED -		SCALE:	SHEET NO.	OF SHEETS	STA.	TO STA.	FED. ROAD DIST. NO.	[ILLINOIS] FED. AID PROJECT	CONTRACT NO. 63074
	PLOT DATE = 3/30/2009	CHECKED - JNR	REVISED -									
		DATE - 3/31/09	REVISED -									