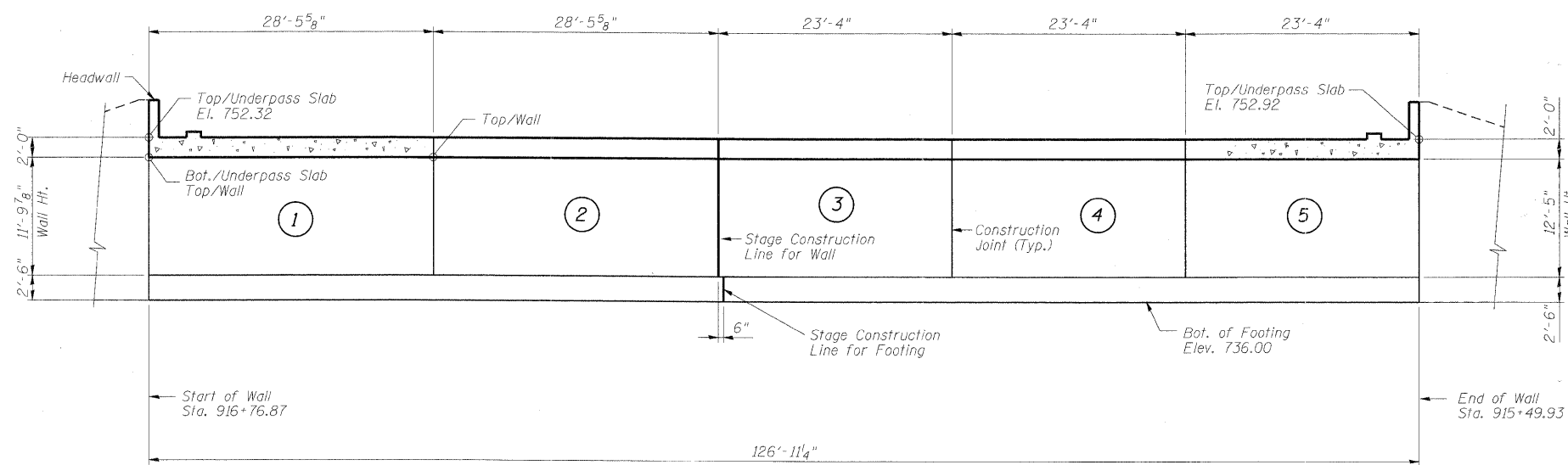
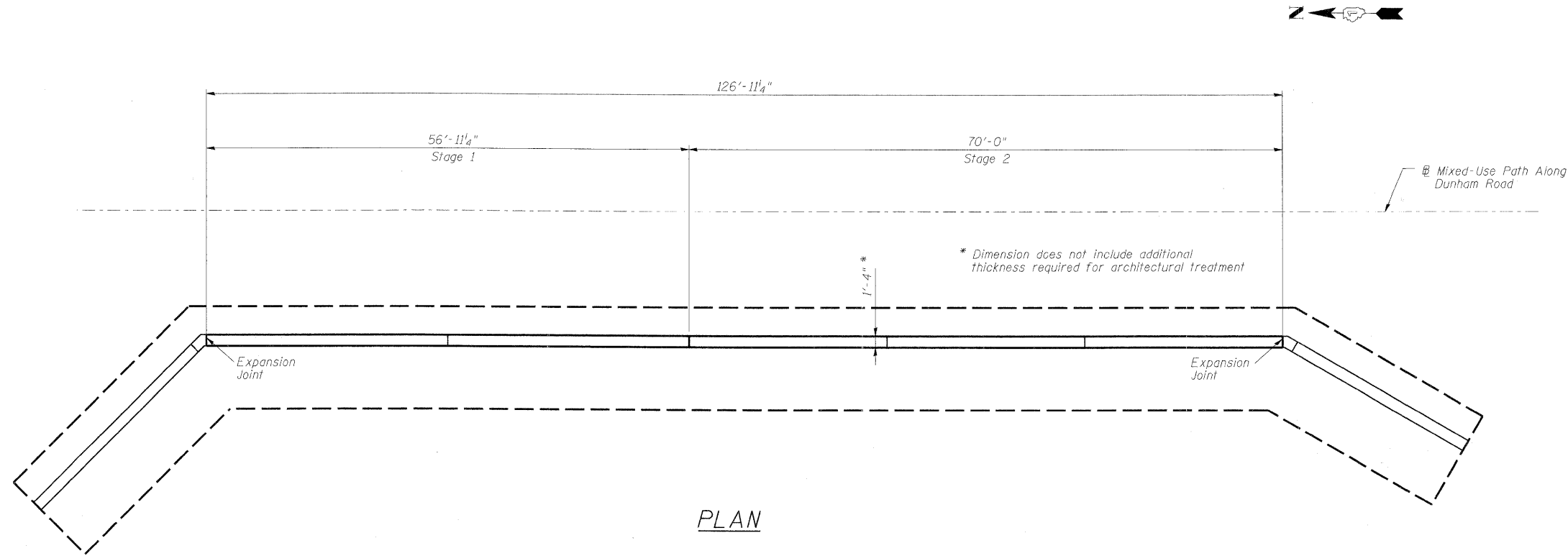


STATE OF ILLINOIS  
DEPARTMENT OF TRANSPORTATION

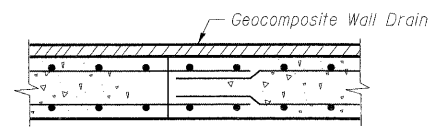
ROUTE NO.	SECTION	COUNTY	TOTAL SHEETS	SHEET NO.	SHEET SA- 5 OF 14 SHEETS
-	-	KANE	545	292	
FED. ROAD DIST. NO. 7		ILLINOIS	FED. AID PROJECT-		

Contract #63074



**TOP/WALL ELEVATIONS**

Location	Station	Elevation
Start of Wall	916+76.87	750.32
Between Panels 1 & 2	916+48.40	750.43
Stage Construction Joint	916+19.93	750.57
Between Panels 3 & 4	915+96.60	750.69
Between Panels 4 & 5	915+73.27	750.80
End of Wall	915+49.93	750.92



CONSTRUCTION JOINT

DESIGNED	AAY
CHECKED	AJK
DRAWN	VH
CHECKED	HMA/DMC

NOTES:

- Stations and offsets are measured with respect to @ Mixed-Use Path along IL 25/Dunham Road
- For reinforcement details of West Wall Panels see sheet SA-7.

**benesch** alfred benesch & company  
Engineers • Surveyors • Planners  
205 North Michigan Avenue, Suite 2400  
Chicago, Illinois 60601  
312-565-0450  
Job # 3944

**PLAN & ELEVATION WEST WALL  
MULTI-USE PATH UNDER  
IL 25/STEARNS ROAD  
F.A.P. 360 - SEC. 06-00214-15-BR  
KANE COUNTY  
STATION 916+09.93  
STRUCTURE NO. 045-3173**