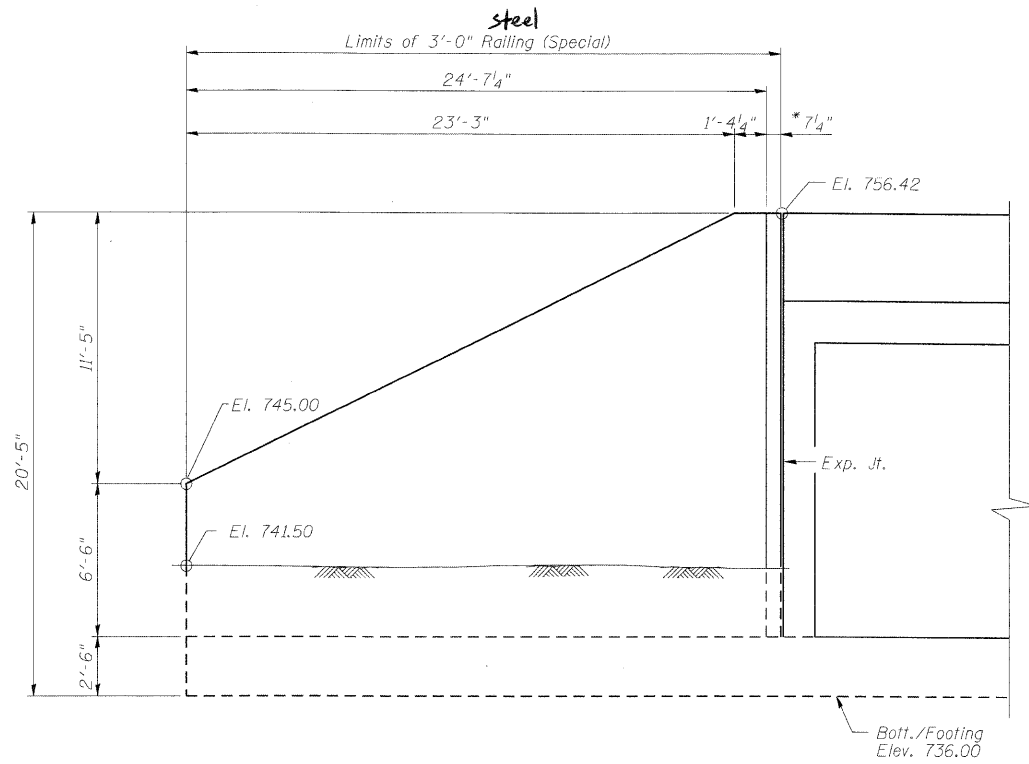


STATE OF ILLINOIS  
DEPARTMENT OF TRANSPORTATION

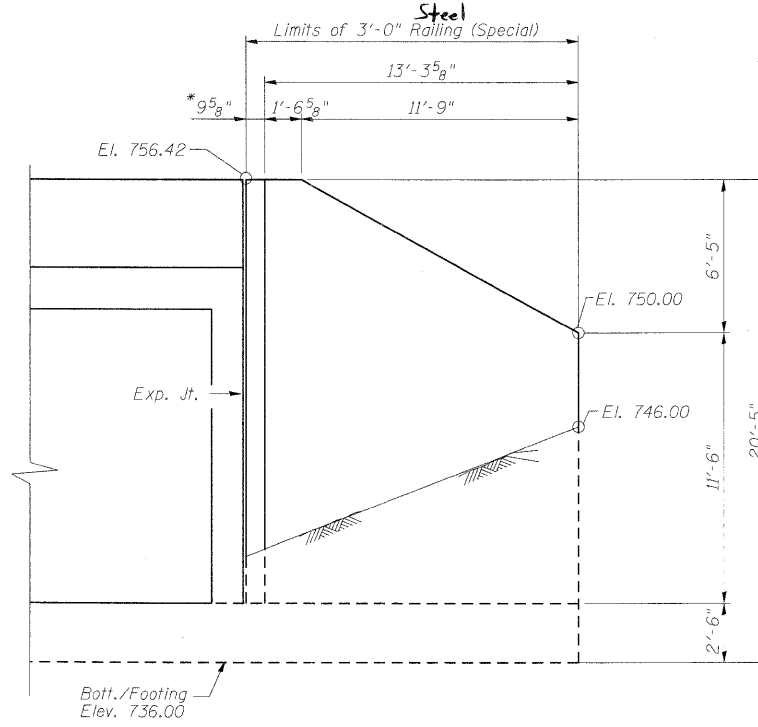
ROUTE NO.	SECTION	COUNTY	TOTAL SHEETS	SHEET NO.	SHEET SA- 9 OF 14 SHEETS
-	-	KANE	545	296	
FED. ROAD DIST. NO. 7		ILLINOIS	FED. AID PROJECT		

Contract #63074

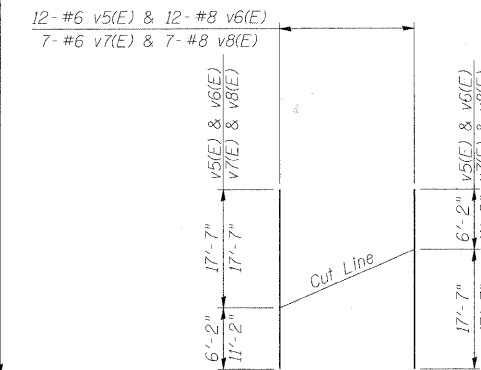
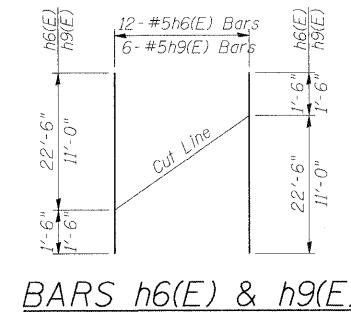


WINGWALL ELEVATION  
(South West End)

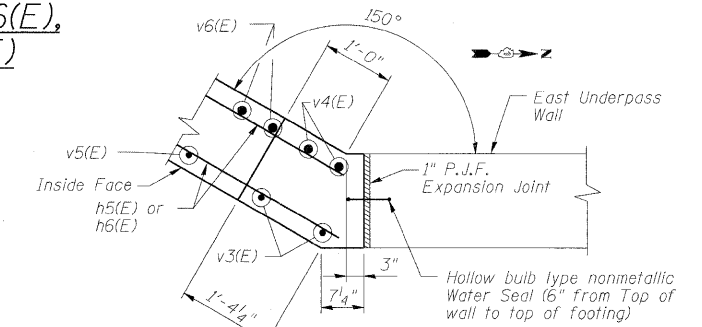
\* Measured along inside face Parallel to Mixed Use path along Dunham Road



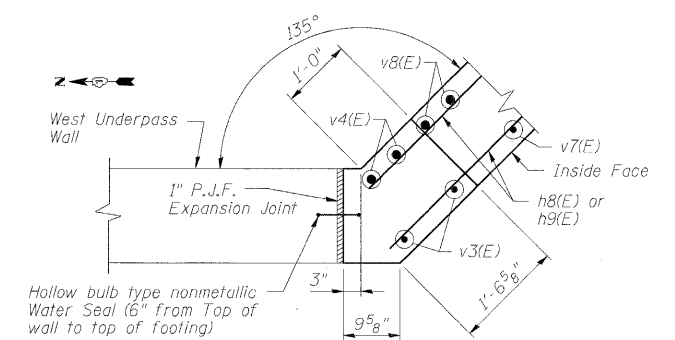
WINGWALL ELEVATION  
(South East End)



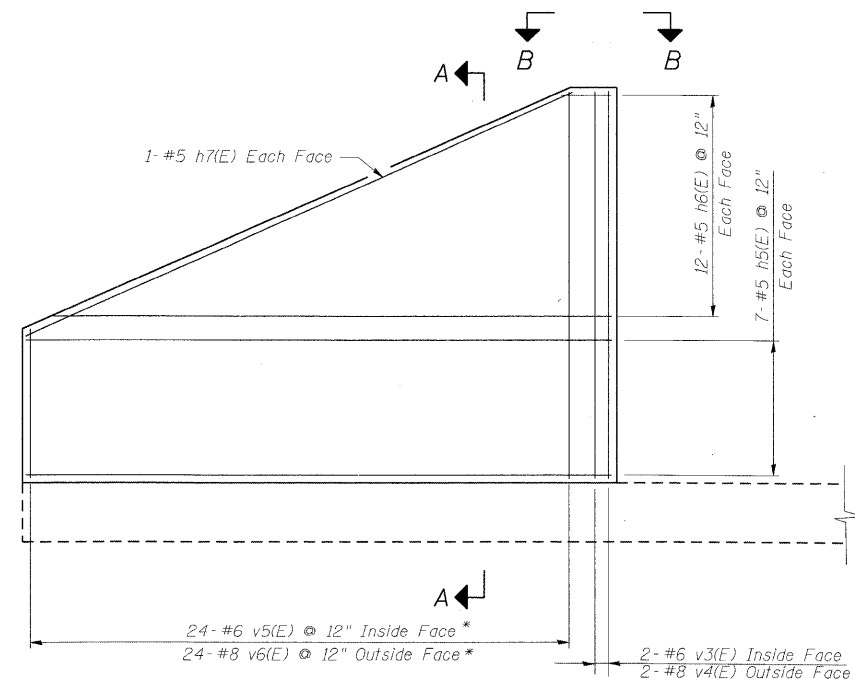
BARS v5(E), v6(E),  
v7(E) & v8(E)



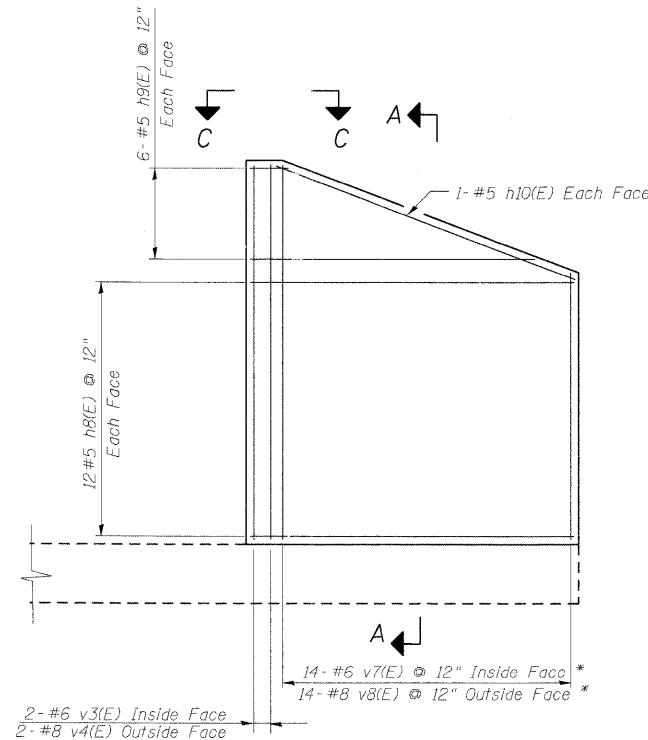
SECTION B-B



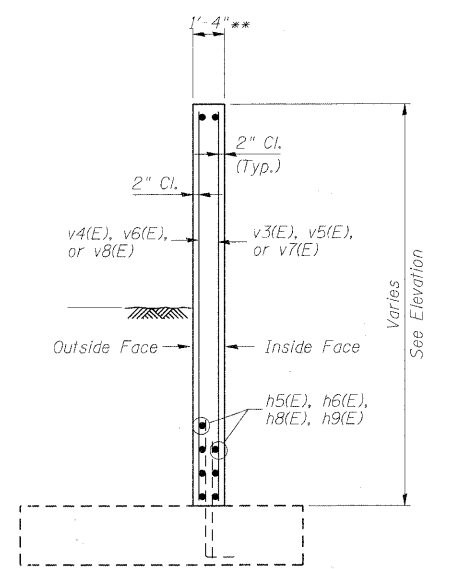
SECTION C-C



REINFORCEMENT ELEVATION  
(South West End)



REINFORCEMENT ELEVATION  
(South East End)



SECTION A-A

\*\* Dimension does not include additional thickness required for architectural treatment

DESIGNED	AAY
CHECKED	AJK
DRAWN	VH
CHECKED	HMA/DMC

\* See cutting diagram

NOTES:

- For Wingwall Footing layout see sheet SA-3.
- Form liner architectural treatment to be applied to Inside face of wingwalls.

**benesch**  
Engineers • Surveyors • Planners  
205 North Michigan Avenue, Suite 2400  
Chicago, Illinois 60601  
312-965-0450  
Job # 3944

WINGWALL DETAILS - STAGE 2  
MULTI-USE PATH UNDER  
IL 25/STEARNS ROAD  
F.A.P. 360 - SEC. 06-00214-15-BR  
KANE COUNTY  
STATION 916+09.93  
STRUCTURE NO. 045-3173