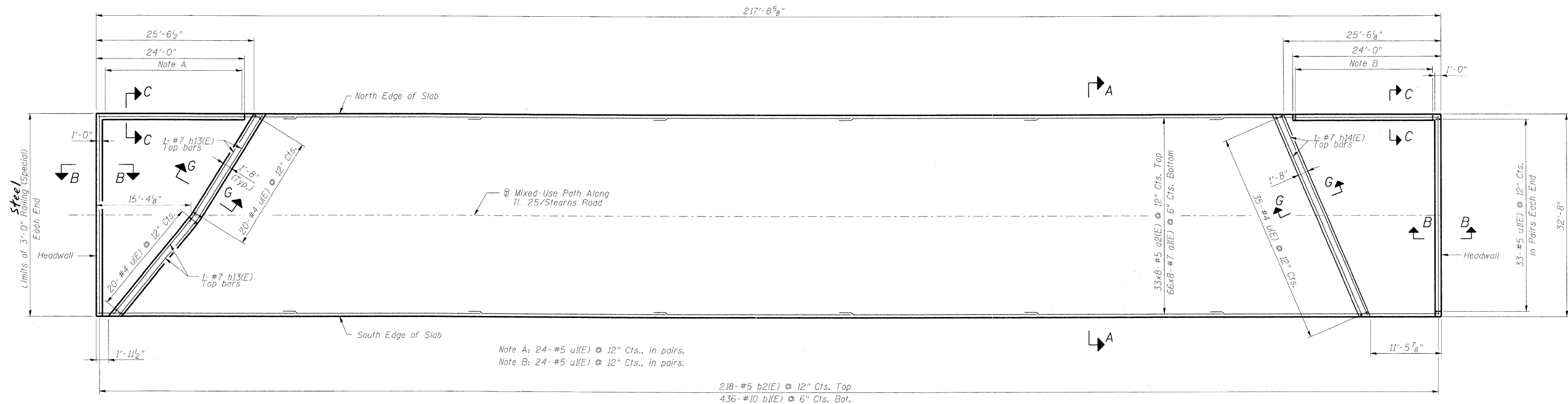


STATE OF ILLINOIS
DEPARTMENT OF TRANSPORTATION

ROUTE NO.	SECTION	COUNTY	TOTAL SHEETS	SHEET NO.
-	-	KANE	545	305
FED. ROAD DIST. NO. 7		ILLINOIS	FED. AID PROJECT	

Contract # 63074

SHEET SB- 4
OF 14 SHEETS

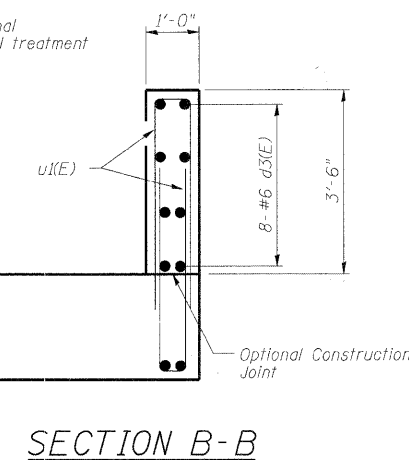
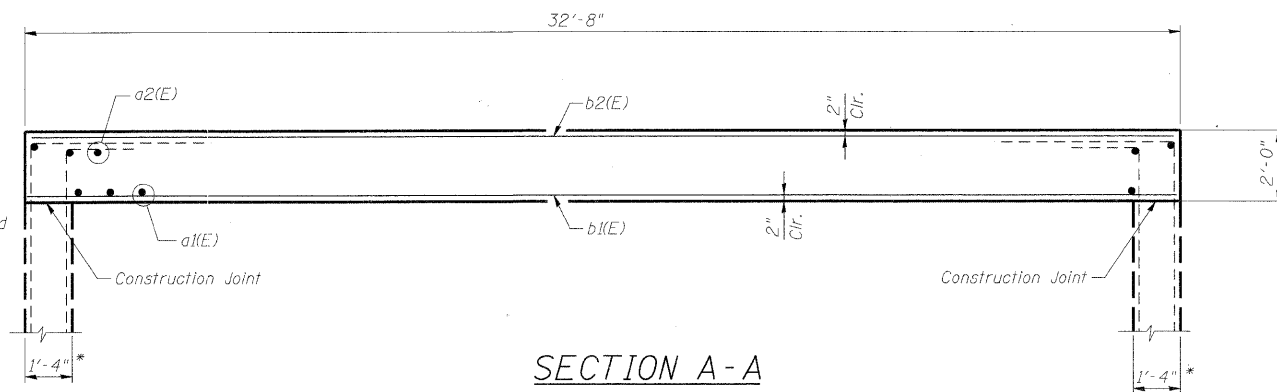
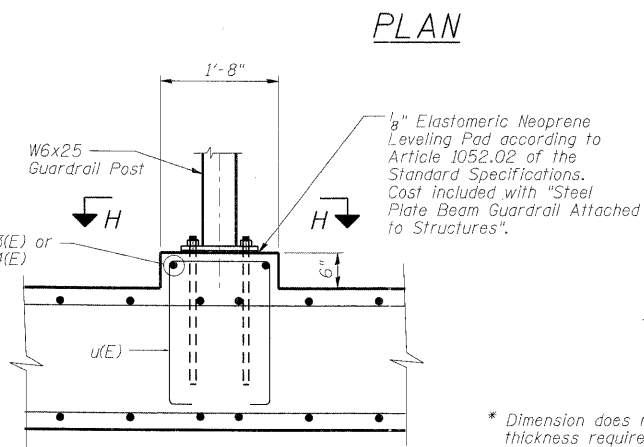
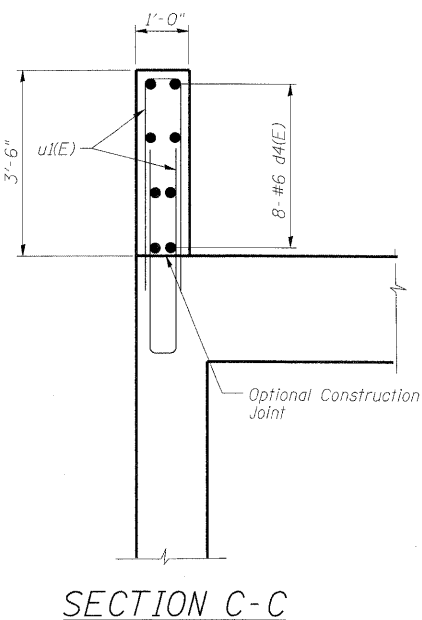


Note A: 24-#5 u(E) @ 12" Cts., in pairs.
Note B: 24-#5 u(E) @ 12" Cts., in pairs.

218-#5 b2(E) @ 12" Cts. Top
436-#10 b1(E) @ 6" Cts. Bot.

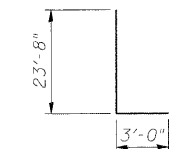
BILL OF MATERIAL

Bar	No.	Size	Length	Shape
a1(E)	528	#7	30'-3"	—
a2(E)	264	#5	29'-3"	—
b1(E)	436	#10	32'-4"	—
b2(E)	218	#5	32'-4"	—
d3(E)	16	#6	32'-4"	—
d4(E)	16	#6	26'-8"	—
h13(E)	4	#7	20'-6"	—
h14(E)	2	#7	35'-0"	—
u(E)	75	#4	6'-4"	□
u(E)	228	#5	8'-8"	□
Concrete Structures		Cu. Yd.	541.3	
Reinforcement Bars, Epoxy Coated		Pound	112,830	



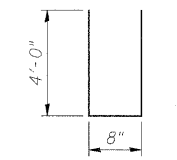
NOTES:

- Bars indicated thus 34x8-#5 etc. indicates 34 lines of bars with 8 lengths per line.

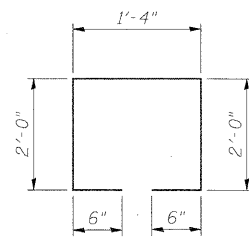


BAR d4(E)

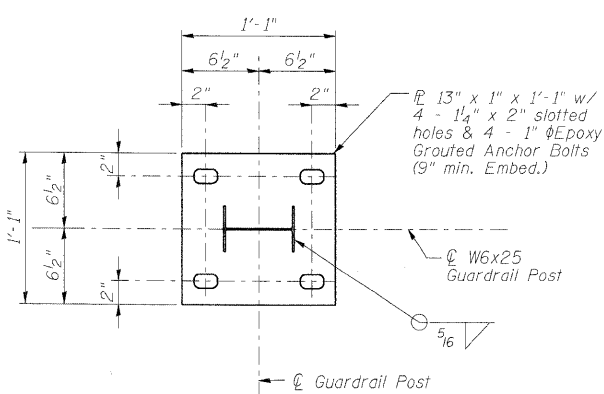
DESIGNED	AAY
CHECKED	AJK
DRAWN	VH
CHECKED	HMA/DMC



BAR u(E)



BAR u(E)



SECTION H-H

benesch
alfred benesch & company
Engineers • Surveyors • Planners
205 North Michigan Avenue, Suite 2400
Chicago, Illinois 60601
312-565-0450
Job # 3944

TOP SLAB REINFORCEMENT
MIXED-USE PATH UNDER
IL 25/DUNHAM ROAD
F.A.P. 360 - SEC. 06-00214-15-BR
KANE COUNTY
STATION 609+05.92
STRUCTURE NO. 045-3174