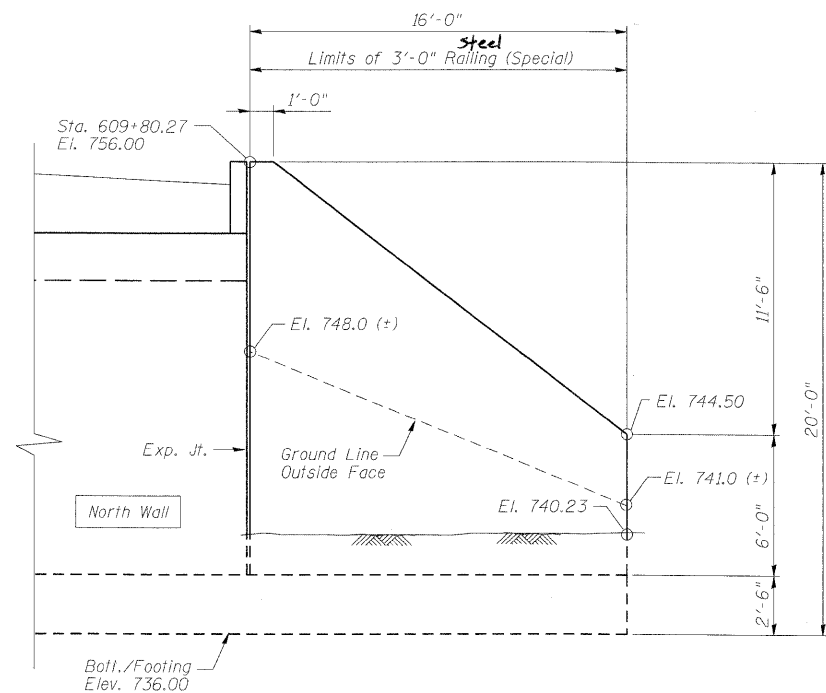
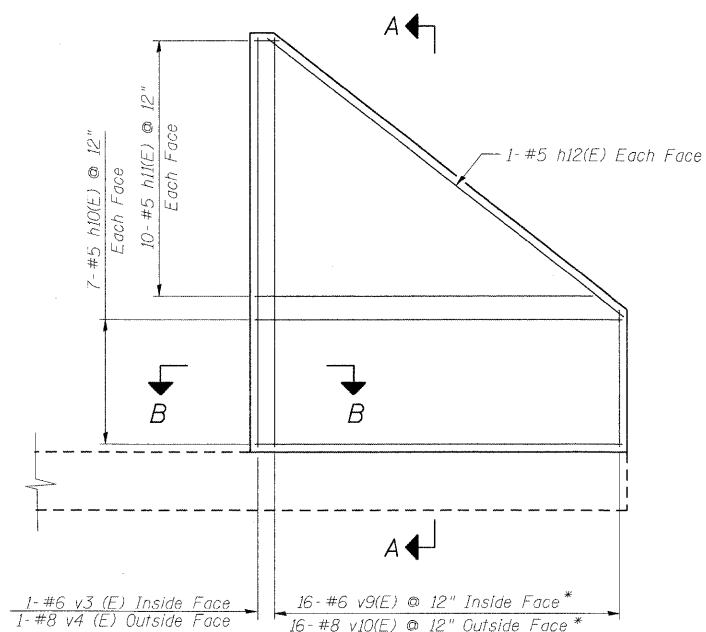


Contract # 63074



WINGWALL ELEVATION

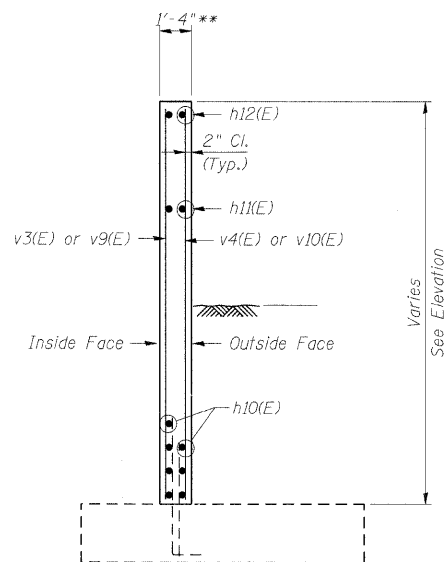
(North East End)
Looking North



REINFORCEMENT ELEVATION

(North East End)

* See cutting diagram

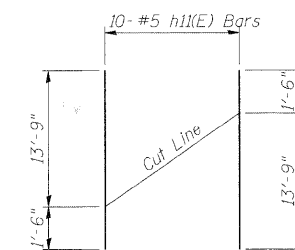


SECTION A-A

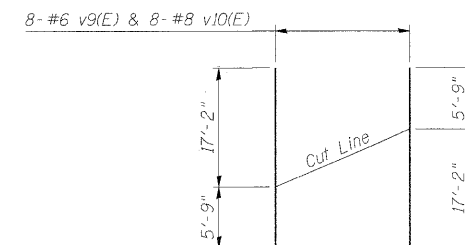
** Dimension does not include additional thickness required for architectural treatment

NOTES:

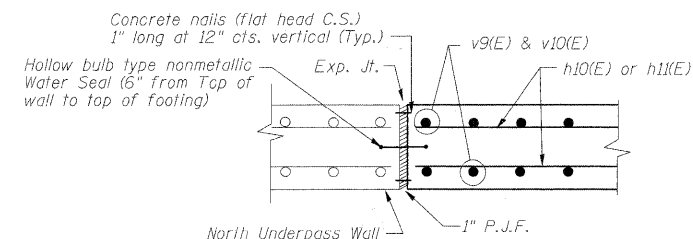
1. For Wingwall Footing layout see sheet SB-3.
2. Form liner architectural treatment to be applied to Inside face of wingwalls



BARS h1(E)



BARS v9(E) & v10(E)



SECTION B-B

BILL OF MATERIAL

(Wingwalls)

Bar	No.	Size	Length	Shape	
h4(E)	14	#5	22'-1"	—	
h5(E)	9	#5	21'-8"	—	
h6(E)	2	#5	23'-0"	—	
h7(E)	14	#5	22'-10"	—	
h8(E)	10	#5	22'-6"	—	
h9(E)	2	#5	24'-0"	—	
h10(E)	14	#5	15'-8"	—	
h11(E)	10	#5	15'-3"	—	
h12(E)	2	#5	18'-0"	—	
v3(E)	3	#6	16'-7"	—	
v4(E)	3	#8	16'-7"	—	
v5(E)	11	#6	22'-9"	—	
v6(E)	11	#8	22'-9"	—	
v7(E)	11	#6	22'-10"	—	
v8(E)	11	#8	22'-10"	—	
v9(E)	8	#6	22'-11"	—	
v10(E)	8	#8	22'-11"	—	
Concrete Structures				Cu. Yd.	36.6
Reinforcement Bars, Epoxy Coated				Pound	4,690

DESIGNED	AAY
CHECKED	AJK
DRAWN	VH
CHECKED	HMA/DMC

benesch
alfred benesch & company
Engineers • Surveyors • Planners
205 North Michigan Avenue, Suite 2400
Chicago, Illinois 60601
312.565-0450
Job # 3944

WINGWALL DETAILS 2 OF 2
MIXED-USE PATH UNDER
IL 25/DUNHAM ROAD
F.A.P. 360 - SEC. 06-00214-15-BR
KANE COUNTY
STATION 609+05.92
STRUCTURE NO. 045-3174