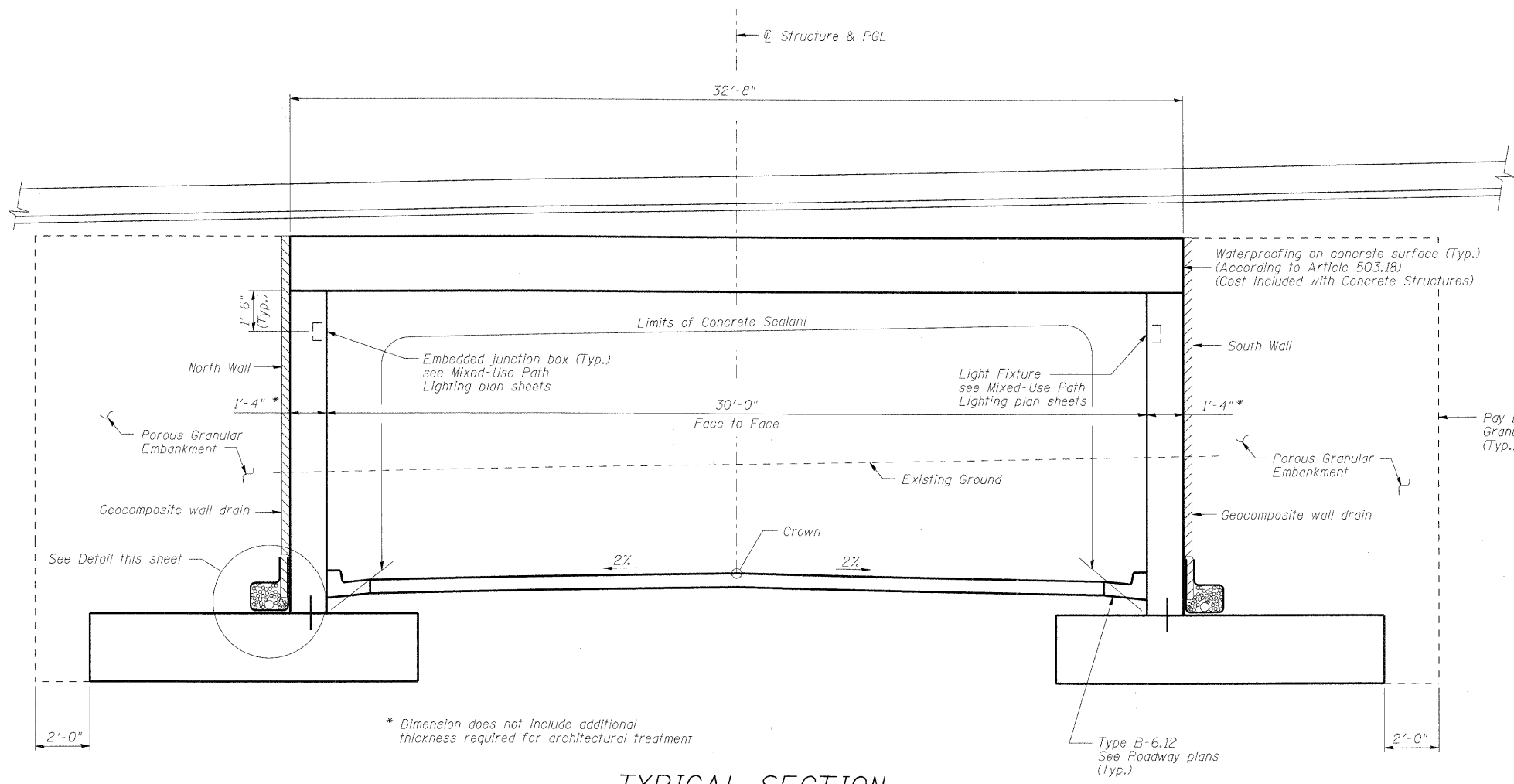


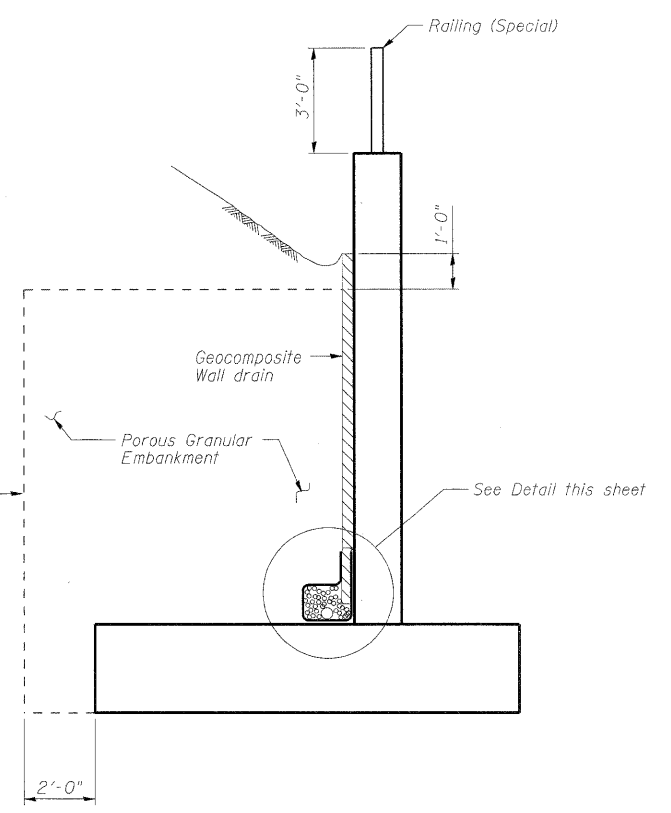
STATE OF ILLINOIS
DEPARTMENT OF TRANSPORTATION

ROUTE NO.	SECTION	COUNTY	TOTAL SHEETS	SHEET NO.
-	-	KANE	545	311
FED. ROAD DIST. NO. 7		ILLINOIS	FED. AID PROJECT	

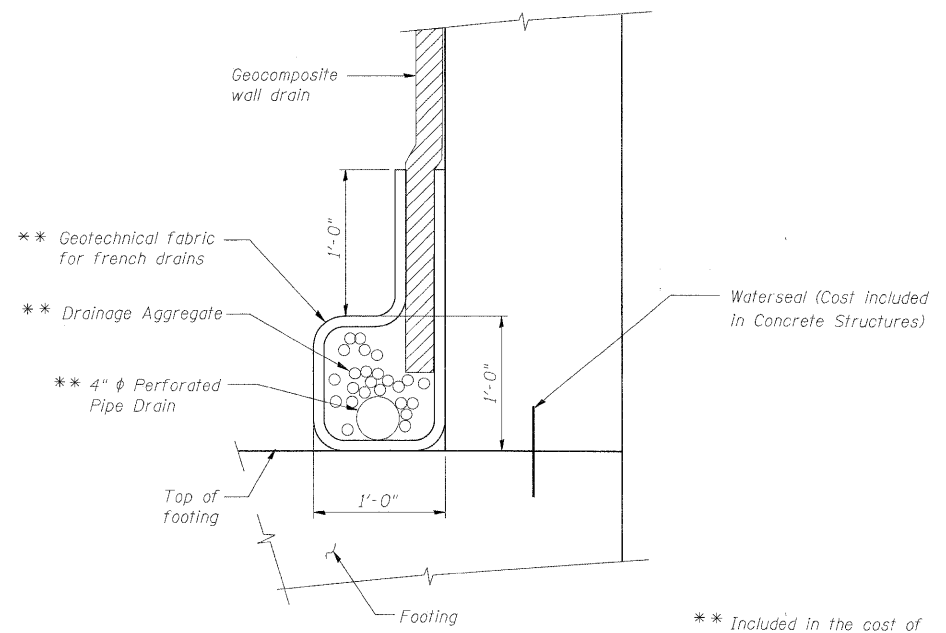
Contract # 63074



TYPICAL SECTION



TYPICAL WINGWALL SECTION



PIPE UNDERDRAIN DETAIL

BILL OF MATERIAL

Item	Unit	Total
Geocomposite Wall Drain	Sa. Yd.	732
Porous Granular Embankment	Cu. Yd.	1,885
Pipe Underdrains for Structures 4"	Foot	534

DESIGNED	AAY
CHECKED	AJK
DRAWN	VH
CHECKED	HMA/DMC

DRAINAGE DETAILS
MIXED-USE PATH UNDER
IL 25/DUNHAM ROAD
F.A.P. 360 - SEC. 06-00214-15-BR
KANE COUNTY
STATION 609+05.92
STRUCTURE NO. 045-3174

benesch
alfred benesch & company
Engineers • Surveyors • Planners
205 North Michigan Avenue, Suite 2400
Chicago, Illinois 60601
312-565-0450
Job # 3944

x:\3900s\3944\engineering\document-s\IL25-Stearns-Path_Under_IL25-SN045-3174\Final\0453174-63074-010-drain.dgn 11:20:19 AM 3/30/2009