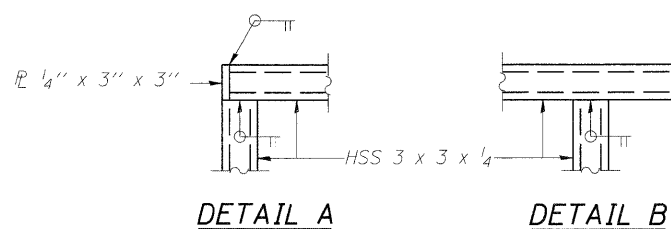
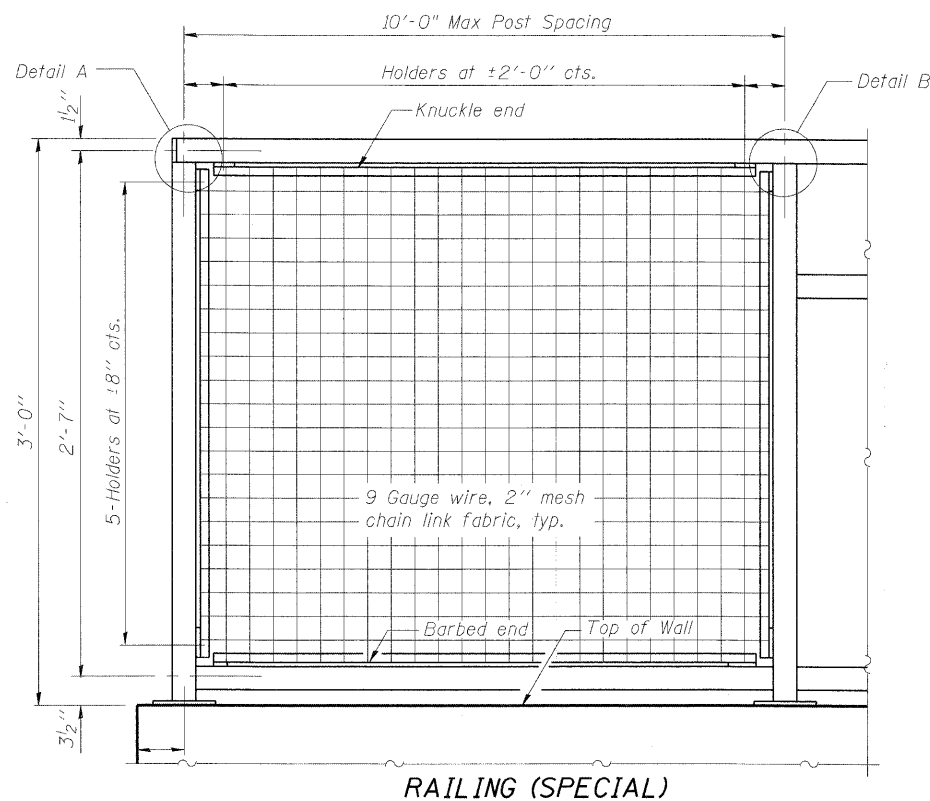


STATE OF ILLINOIS
DEPARTMENT OF TRANSPORTATION

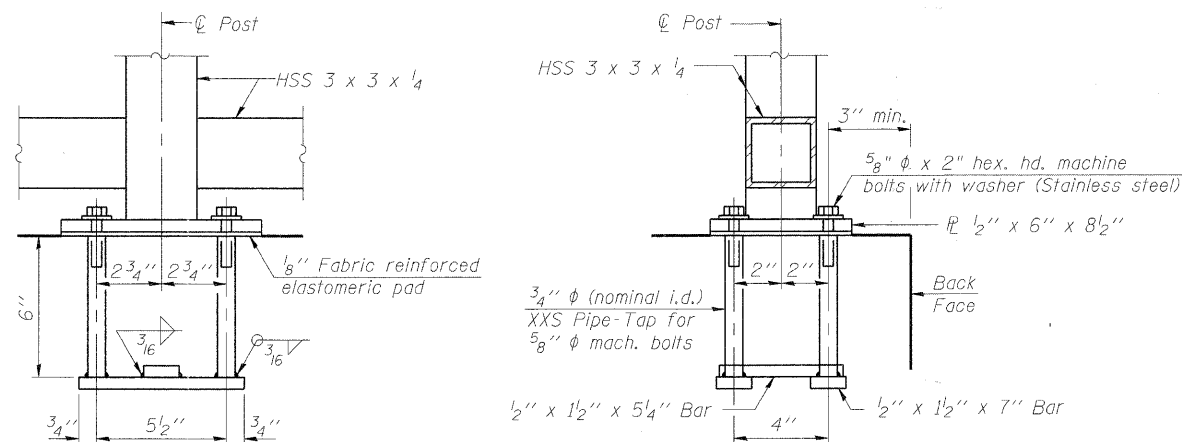
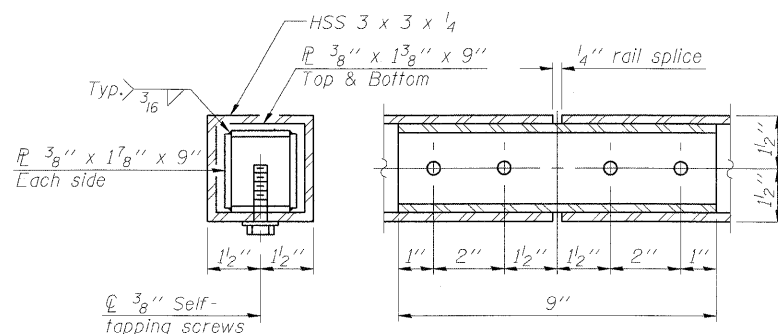
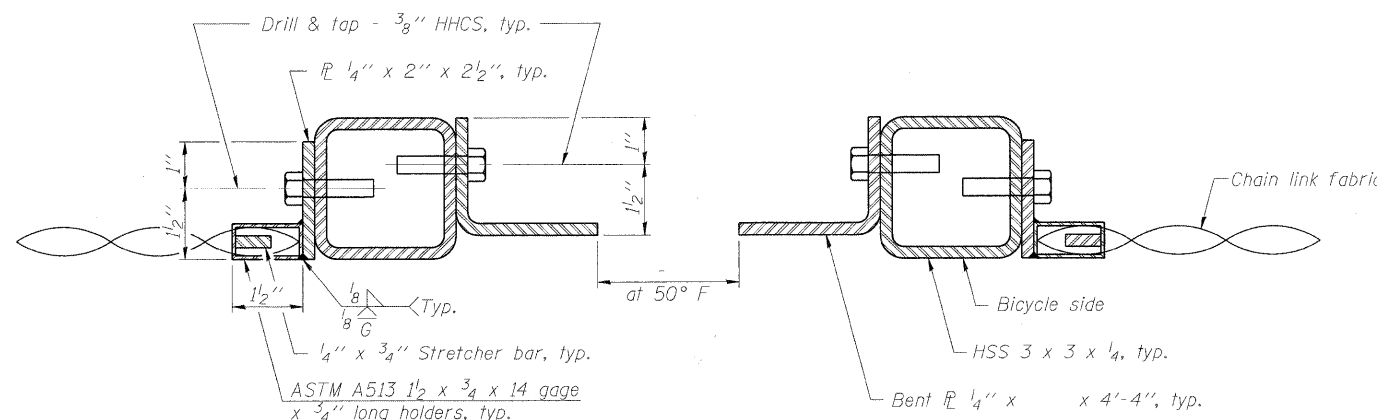
ROUTE NO.	SECTION	COUNTY	TOTAL SHEETS	SHEET NO.
-	-	KANE	645	312
FED. ROAD DIST. NO. 7	ILLINOIS	FED. AID PROJECT		

SHEET SB- 11
OF 14 SHEETS

Contract # 63074



All post, railing, splices, anchor devices, and bent plates shall be painted. See Special Provisions.



In lieu of the cast-in-place anchor device shown, the Contractor has the option of drilling and setting 5/8" φ anchor rods according to Article 509.06 of the Standard Specifications. Embedment shall be according to the manufacturer's specifications.

Modify anchorage assembly or base plates as required to mount on both the headwall and wingwalls. Posts on wingwalls shall be vertical.

BILL OF MATERIAL

Item	Unit	Quantity
Steel Railing (Special)	Foot	128

DESIGNED	AAY
CHECKED	AJK
DRAWN	VH
CHECKED	HMA/DMC

benesch
alfred benesch & company
Engineers • Surveyors • Planners
205 North Michigan Avenue, Suite 2400
Chicago, Illinois 60601
312-585-0450
Job # 3944

RAIL DETAILS
MIXED-USE PATH UNDER
IL 25/DUNHAM ROAD
F.A.P. 360 - SEC. 06-00214-15-BR
KANE COUNTY
STATION 609+05.92
STRUCTURE NO. 045-3174