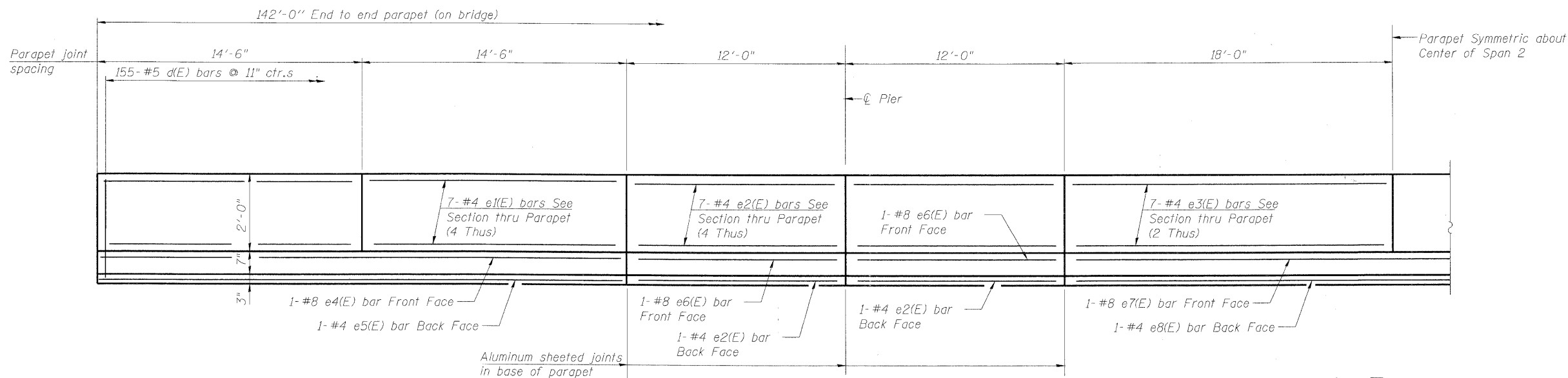


STATE OF ILLINOIS  
DEPARTMENT OF TRANSPORTATION

ROUTE NO.	SECTION	COUNTY	TOTAL SHEETS	SHEET NO.
-	-	KANE	545	329
FED. ROAD DIST. NO. 7		ILLINOIS	FED. AID PROJECT	

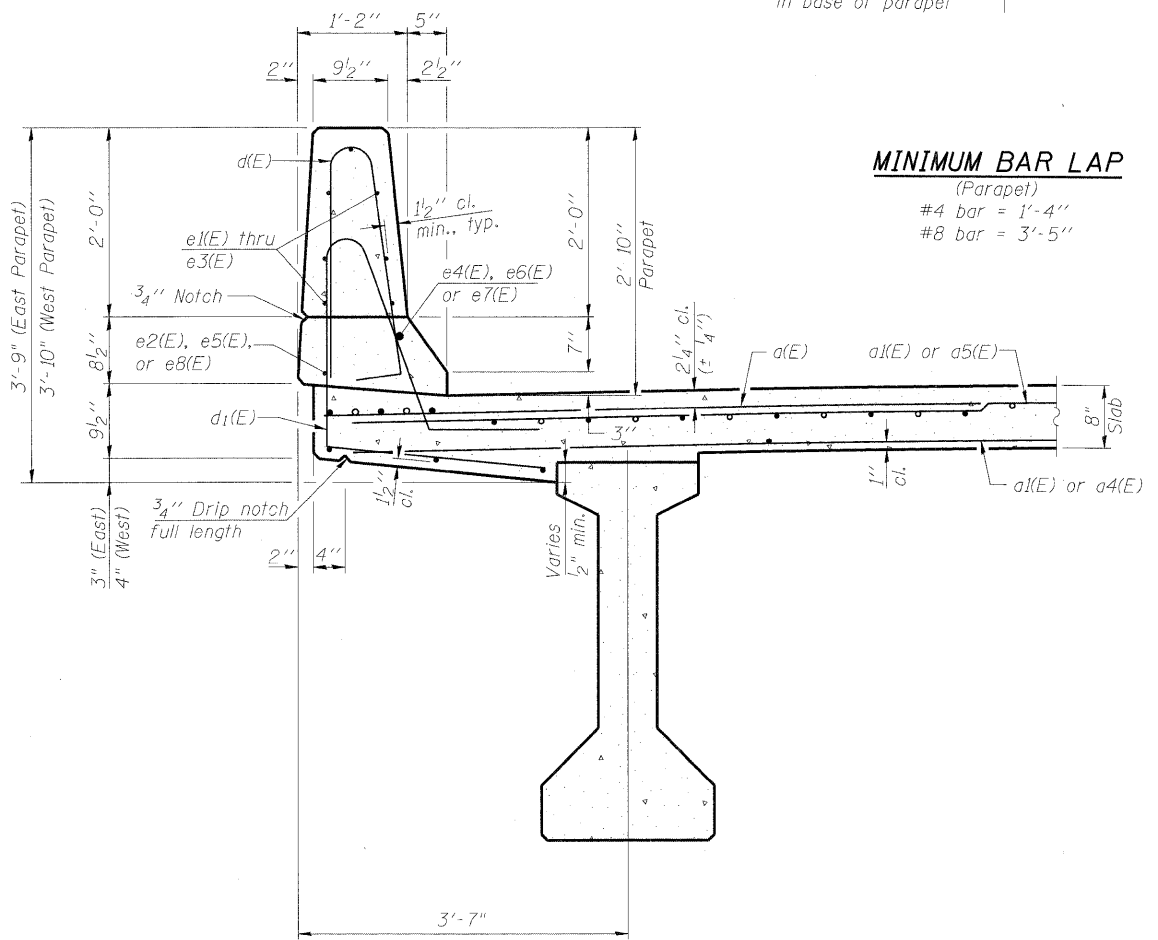
Contract # 63074

SHEET SD- 14  
OF 34 SHEETS

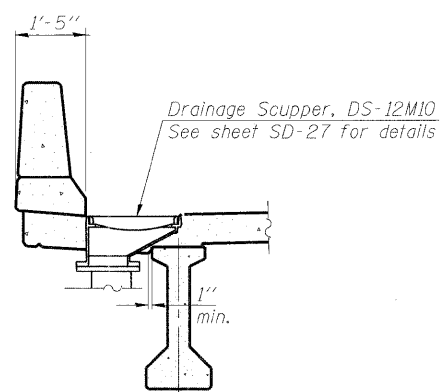


INSIDE ELEVATION OF PARAPET

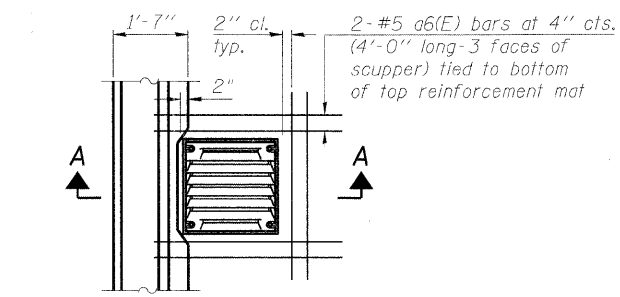
**MINIMUM BAR LAP**  
(Parapet)  
#4 bar = 1'-4"  
#8 bar = 3'-5"



SECTION THRU PARAPET

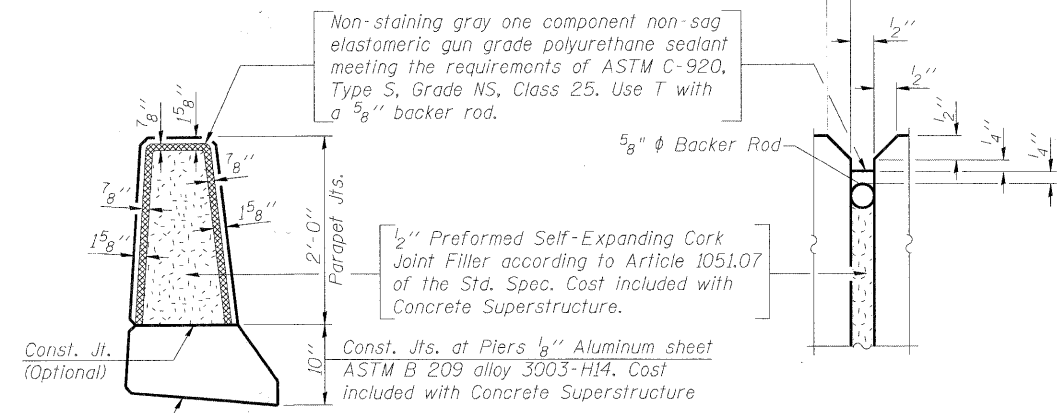


SECTION A-A

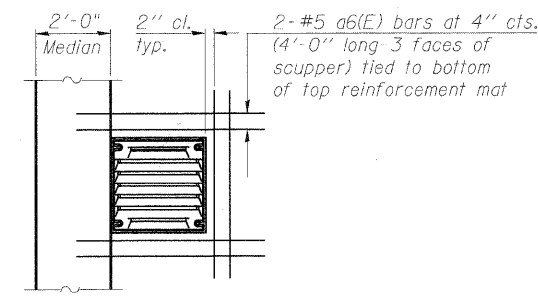


PLAN OF SCUPPER @ PARAPET (4 Thus)

Note:  
Cut longitudinal reinforcement to clear drainage scuppers.



PARAPET JOINT DETAILS



PLAN OF SCUPPER @ MEDIAN (2 Thus)

Note:  
Cut longitudinal reinforcement to clear drainage scuppers.

DESIGNED	AJK
CHECKED	AAV
DRAWN	AYR
CHECKED	DMC

**benesch**  
alfred benesch & company  
Engineers • Surveyors • Planners  
205 North Michigan Avenue, Suite 2400  
Chicago, Illinois 60601  
312-565-0450  
Job # 3944

PARAPET ELEVATIONS AND DETAILS  
IL 25/DUNHAM ROAD OVER THE  
EAST BRANCH OF BREWSTER CREEK  
F.A.P. 360 - SEC. 06-00214-15-BR  
KANE COUNTY  
STATION 276+36.96  
STRUCTURE NO. 045-2032

x:\3900s\3944\engineering\_documents\1125-dunham\_over\_brewster\_sn045-2032(nb)\_sn045-2034(sb)\_find\0452032-63074-014-ppt.dgn 11/2/17 AM 3/30/2009