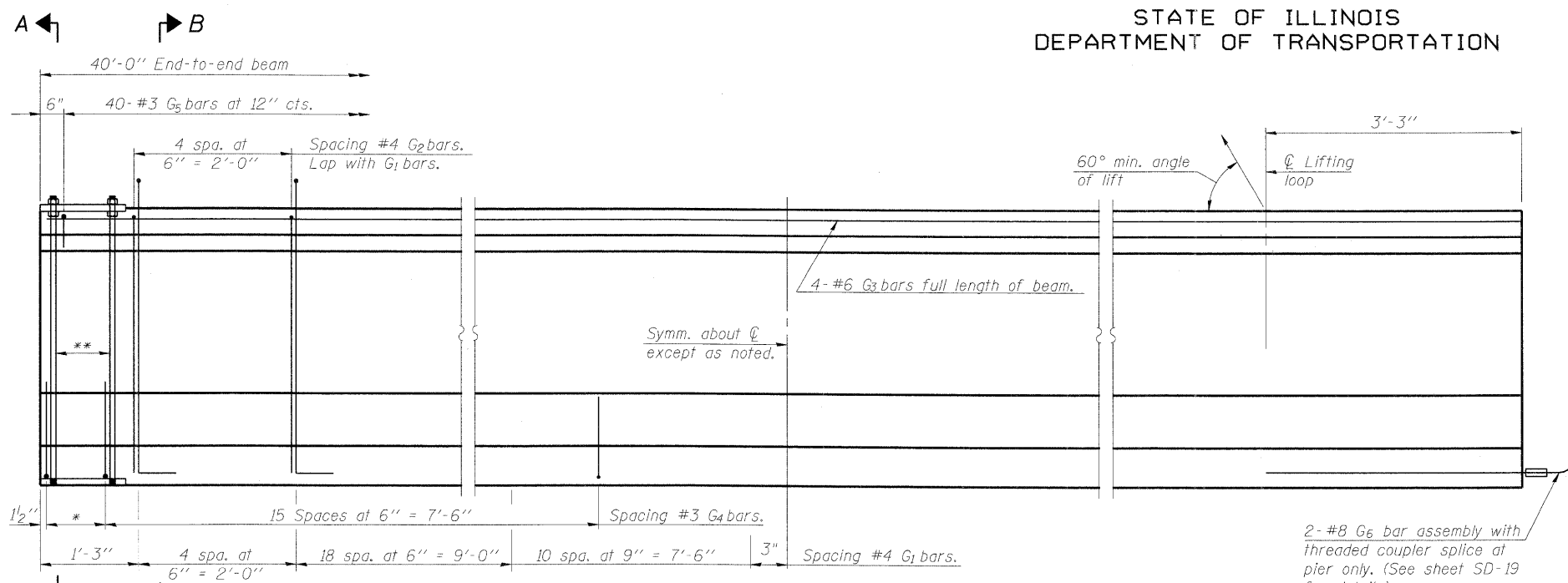


STATE OF ILLINOIS  
DEPARTMENT OF TRANSPORTATION

ROUTE NO.	SECTION	COUNTY	TOTAL SHEETS	SHEET NO.
-	-	KANE	545	332
FED. ROAD DIST. NO. 7		ILLINOIS	FED. AID PROJECT	

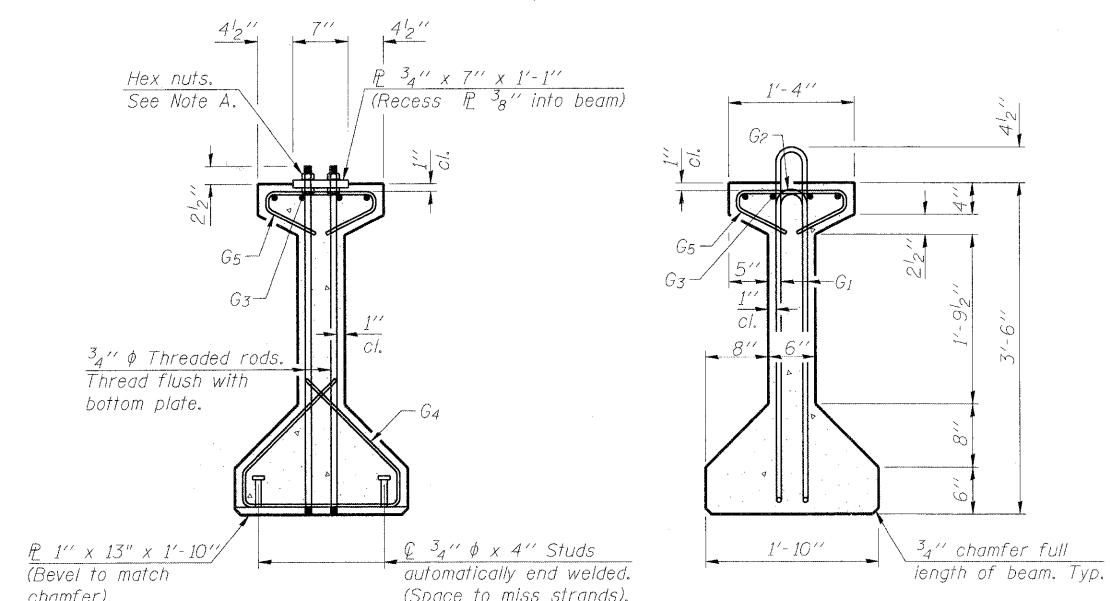
SHEET SD- 17  
OF 34 SHEETS

Contract # 63074

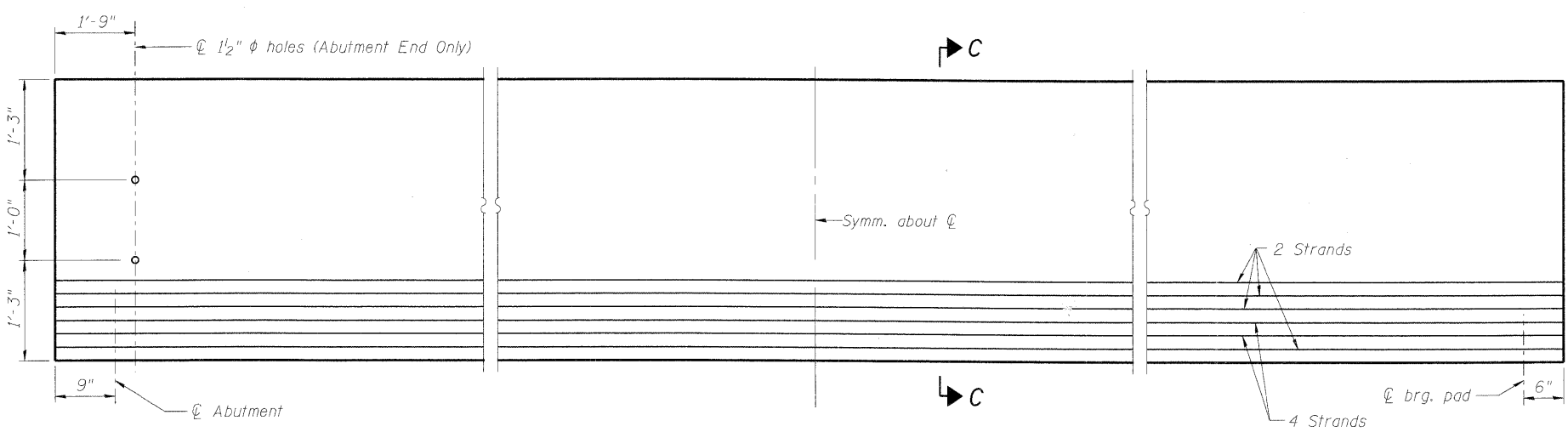


**ELEVATION OF BEAM**  
(Showing reinforcement & dimensions)

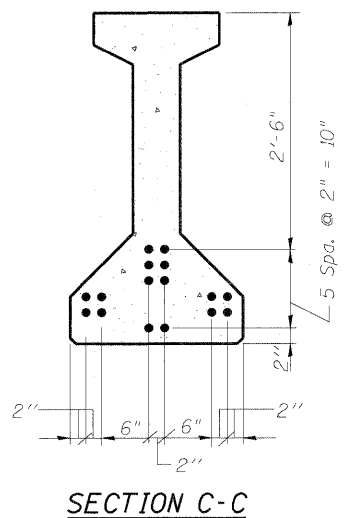
\*3 spaces at 3" = 9".  
\*\*4-3/4" φ threaded dowel rods at 3" cts., Each Face.



**SECTION A-A**      **SECTION B-B**



**ELEVATION OF BEAM**  
(Showing prestressing steel)  
(Span 1 shown, Span 3 opposite hand)



**SECTION C-C**

**\*\*\*BAR LIST  
ONE BEAM ONLY**

Bar	No.	Size	Length	Shape
G <sub>1</sub>	66	#4	8'-5"	∩ L
G <sub>2</sub>	10	#4	6'-8"	∩
G <sub>3</sub>	4	#6	39'-6"	—
G <sub>4</sub>	38	#3	1'-11"	∩
G <sub>5</sub>	40	#3	2'-6"	∩
G <sub>6</sub>	2	#8	6'-6"	U

\*\*\*For information only

Notes:  
1. See sheet SD-19 for additional details and Bill of Material.  
2. Required release strength, f'cl, shall be 5,000 psi.

DESIGNED	AJK
CHECKED	AAY
DRAWN	AYR
CHECKED	DMC

PI-4-42      5-16-08

**benesch**  
alfred benesch & company  
Engineers • Surveyors • Planners  
205 North Michigan Avenue, Suite 2400  
Chicago, Illinois 60601  
312-585-0450  
Job # 3944

**42" PPC I-BEAM ELEVATION - SPANS 1 & 3**  
**IL 25/DUNHAM ROAD OVER THE**  
**EAST BRANCH OF BREWSTER CREEK**  
**F.A.P. 360 - SEC. 06-00214-15-BR**  
**KANE COUNTY**  
**STATION 276+36.96**  
**STRUCTURE NO. 045-2032**

x:\3900s\3944\engineering\documents\125-dunham-over-brewster-s045-2032(m).sn045-2034(s)\final\0452032-63074-017-ppl.dgn 11/21/26 AM 3/30/2009