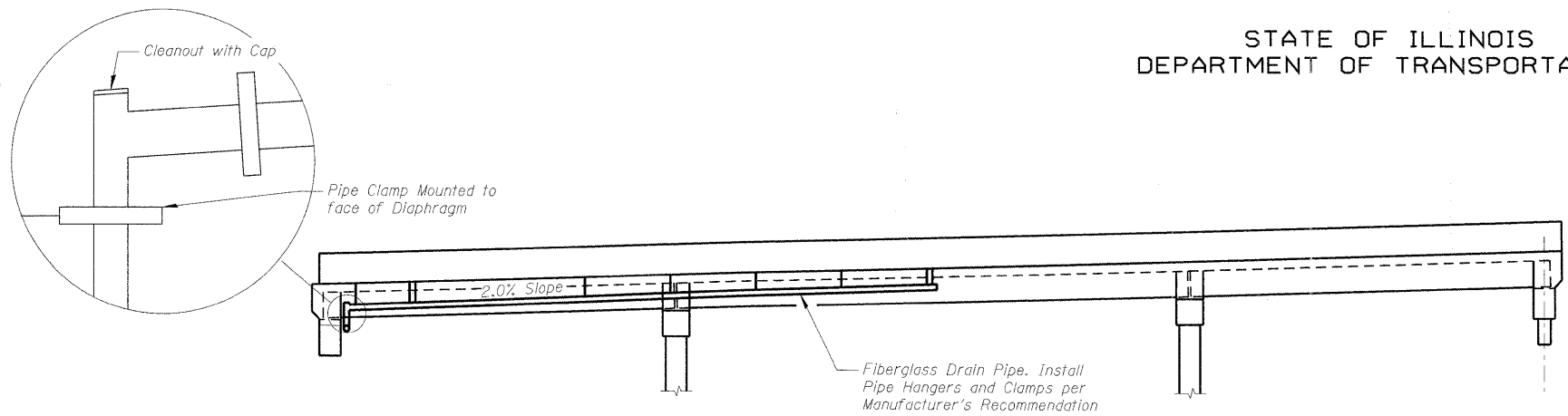
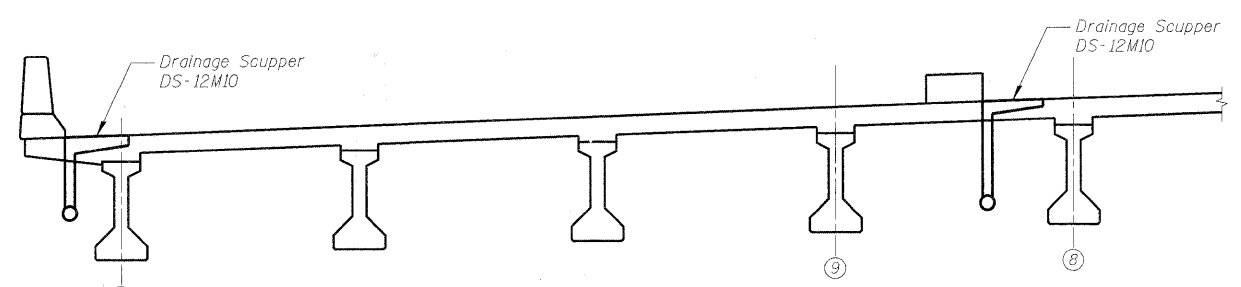


STATE OF ILLINOIS
DEPARTMENT OF TRANSPORTATION

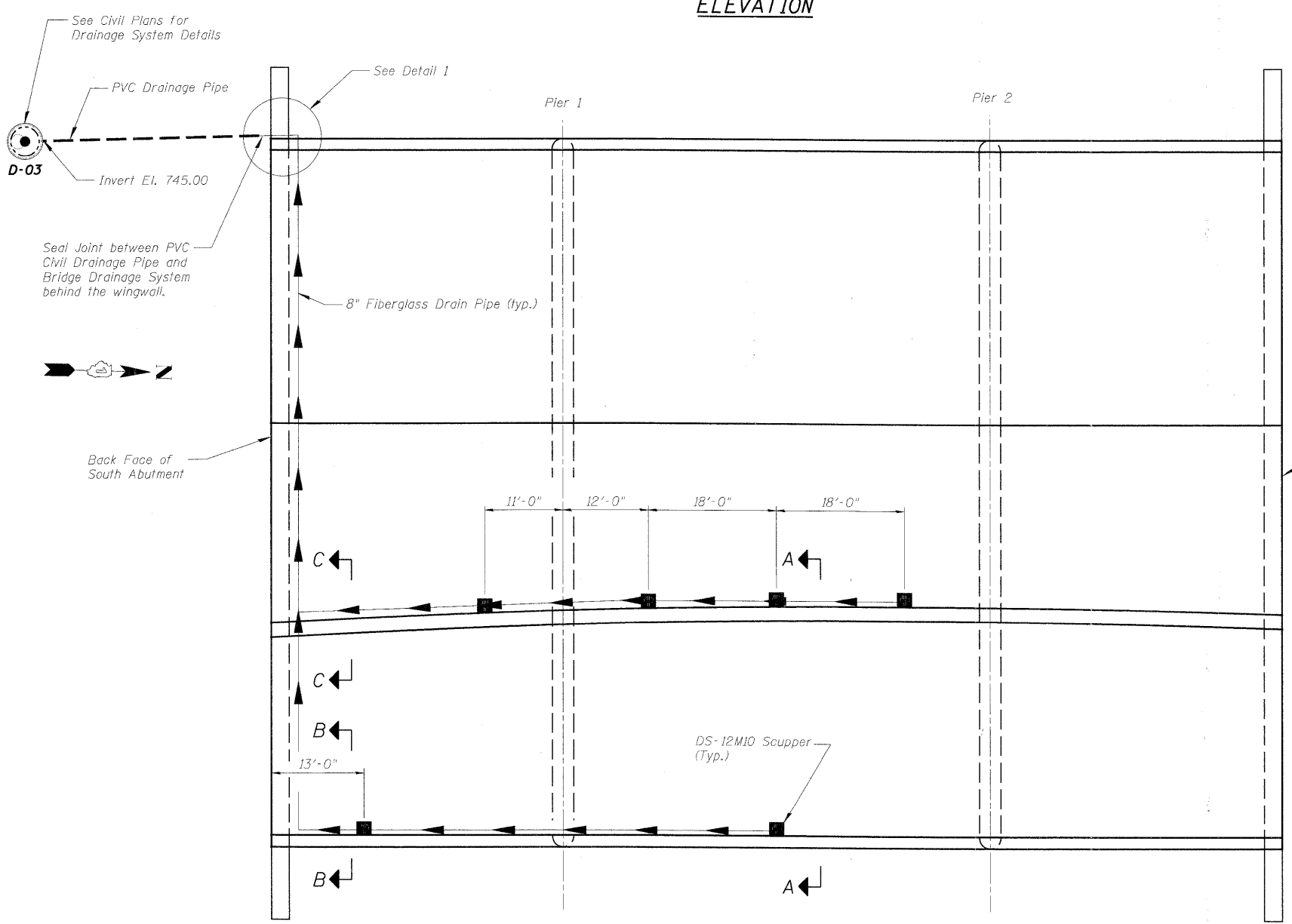
ROUTE NO.	SECTION	COUNTY	TOTAL SHEETS	SHEET NO.	SHEET SD- 28 OF 34 SHEETS
-	-	KANE	545	343	
FED. ROAD DIST. NO. 7	ILLINOIS	FED. AID PROJECT	Contract # 63074		



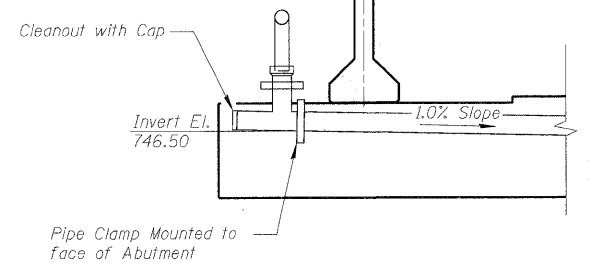
ELEVATION



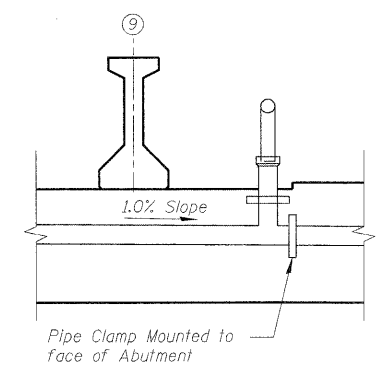
SECTION A-A



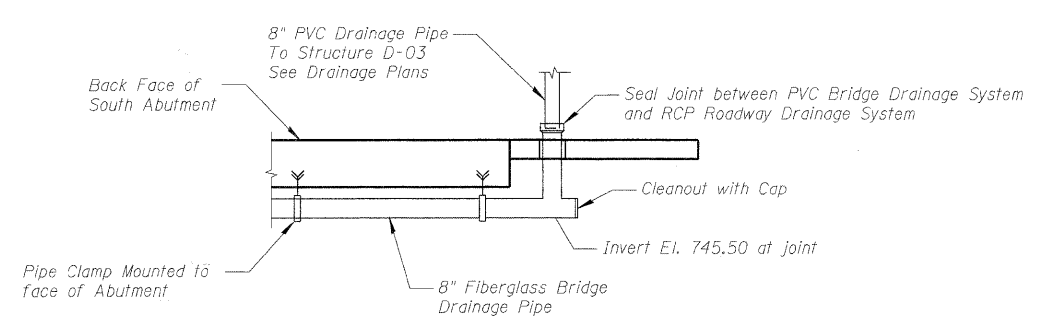
DRAINAGE PLAN



SECTION B-B



SECTION C-C



DETAIL 1

DESIGNED	AJK
CHECKED	AAY
DRAWN	AJK
CHECKED	DMC

- Notes:
1. For drainage scupper details see sheet SD-27
 2. A cleanout and cap shall exist at every 90 degree turn in the drainage system.
 3. All drainage pipe, fittings and installation are included in the Lump Sum Price for "Drainage System."

benesch
alfred benesch & company
Engineers • Surveyors • Planners
205 North Michigan Avenue, Suite 2400
Chicago, Illinois 60601
312-565-0450
Job # 3944

DRAINAGE DETAILS
IL 25/DUNHAM ROAD OVER THE
EAST BRANCH OF BREWSTER CREEK
F.A.P. 360 - SEC. 06-00214-15-BR
KANE COUNTY
STATION 276+36.96
STRUCTURE NO. 045-2032