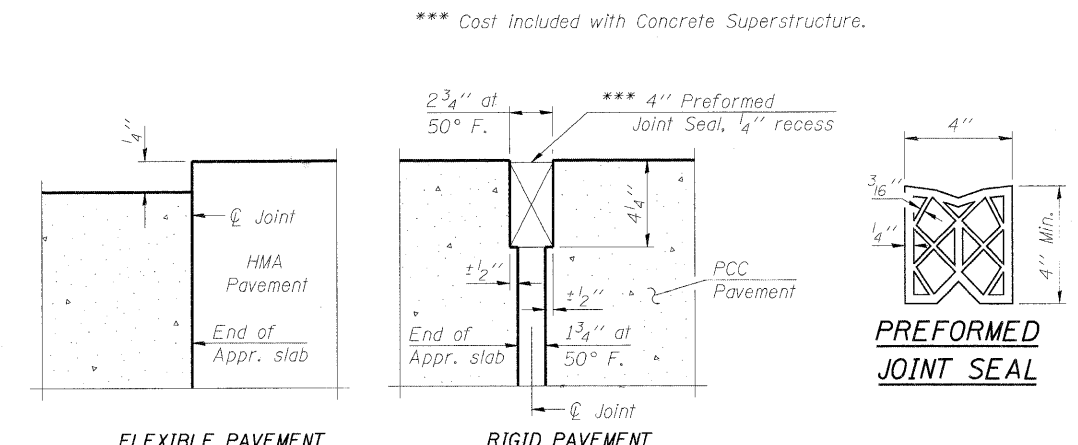
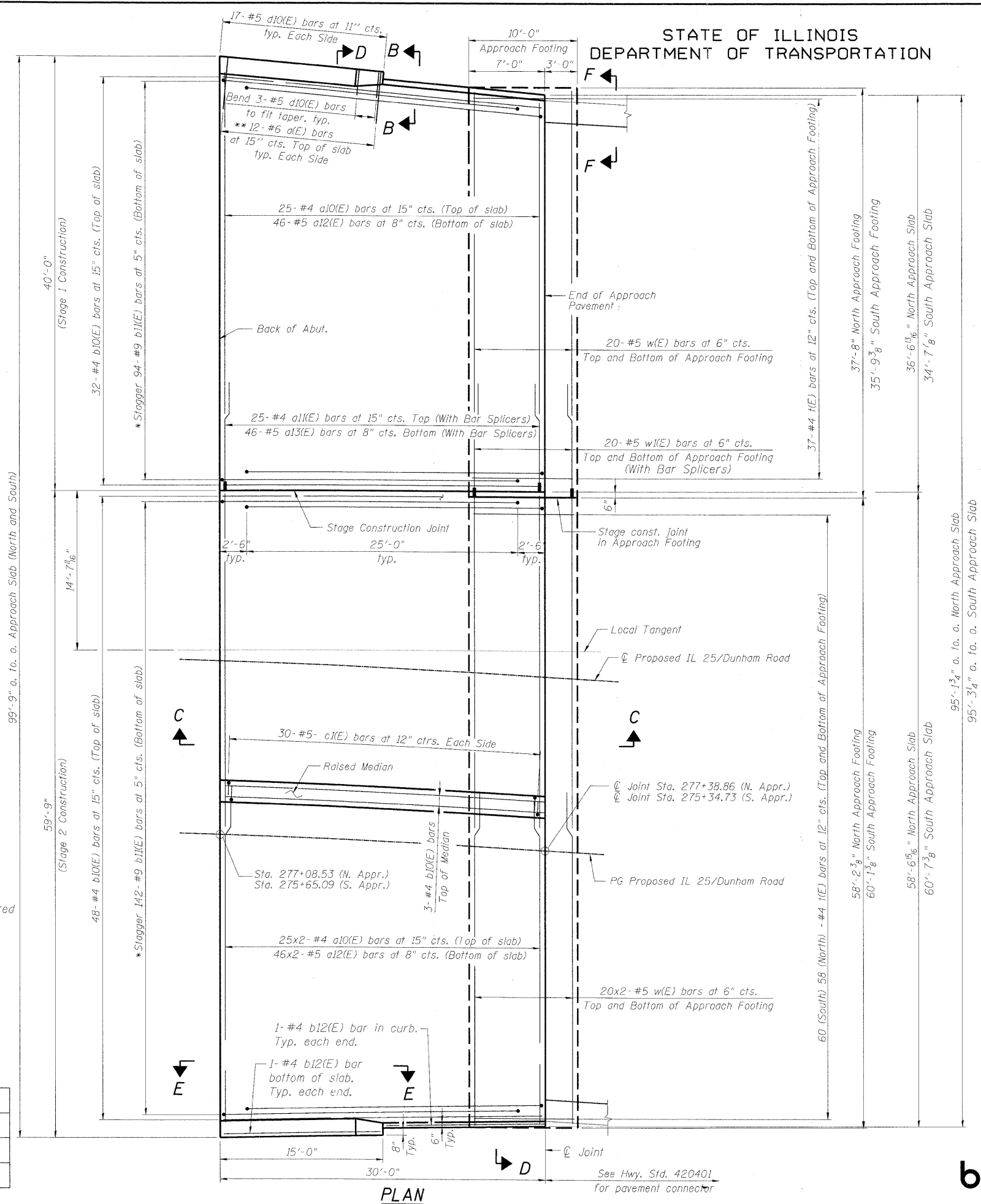


STATE OF ILLINOIS
DEPARTMENT OF TRANSPORTATION

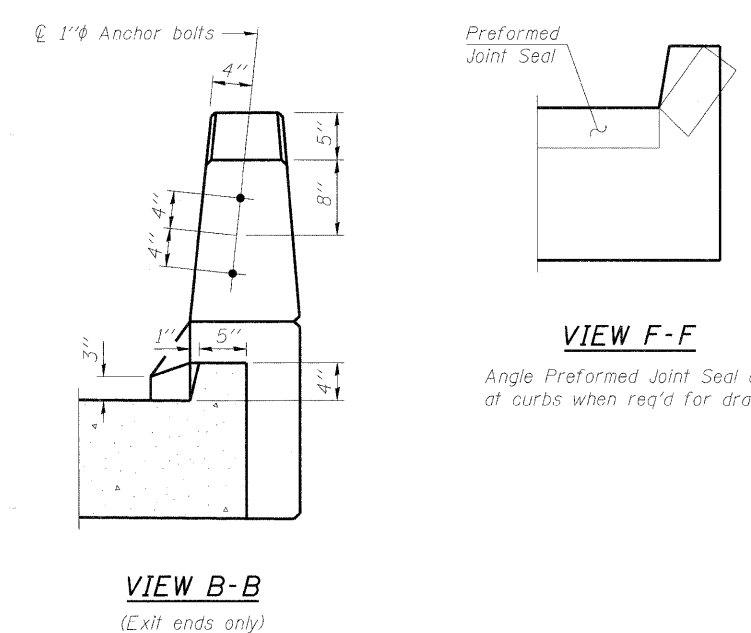
ROUTE NO.	SECTION	COUNTY	TOTAL SHEETS	SHEET NO.
-	-	KANE	545	344
FED. ROAD DIST. NO. 7	ILLINOIS	FED. AID PROJECT-		

SHEET SD- 29
OF 34 SHEETS

Contract # 63074



DETAIL A



VIEW B-B
(Exit ends only)

VIEW F-F

Angle Preformed Joint Seal at 45° at curbs when req'd for drainage.

- Notes:
1. See sheet SD-30 for Sections C-C & D-D and View E-E.
 2. Dimensions shown are for north and south approach slabs unless noted otherwise.

BRIDGE APPROACH SLAB DETAILS (1 OF 2)
IL 25/DUNHAM ROAD OVER THE
EAST BRANCH OF BREWSTER CREEK
F.A.P. 360 - SEC. 06-00214-15-BR
KANE COUNTY
STATION 276+36.96
STRUCTURE NO. 045-2032

benesch
 alfred benesch & company
 Engineers • Surveyors • Planners
 205 North Michigan Avenue, Suite 2400
 Chicago, Illinois 60601
 312-565-0450
 Job # 3944

DESIGNED	AJK
CHECKED	AAY
DRAWN	VH
CHECKED	DMC

* Tilt #9 b11(E) bars as required to maintain clearance.
 ** Alternate with a10(E) bars, typ. ea. parapet.

PLAN

See Hwy. Std. 420401
For pavement connector

x:\3900s\3944\engineering_documents\1125-dunham_over_brewster_sn045-2032(nbl_sn045-2034(sbl)_find\0452032-63074-029-appr1.dgn 11/22/09 AM 3/30/2009