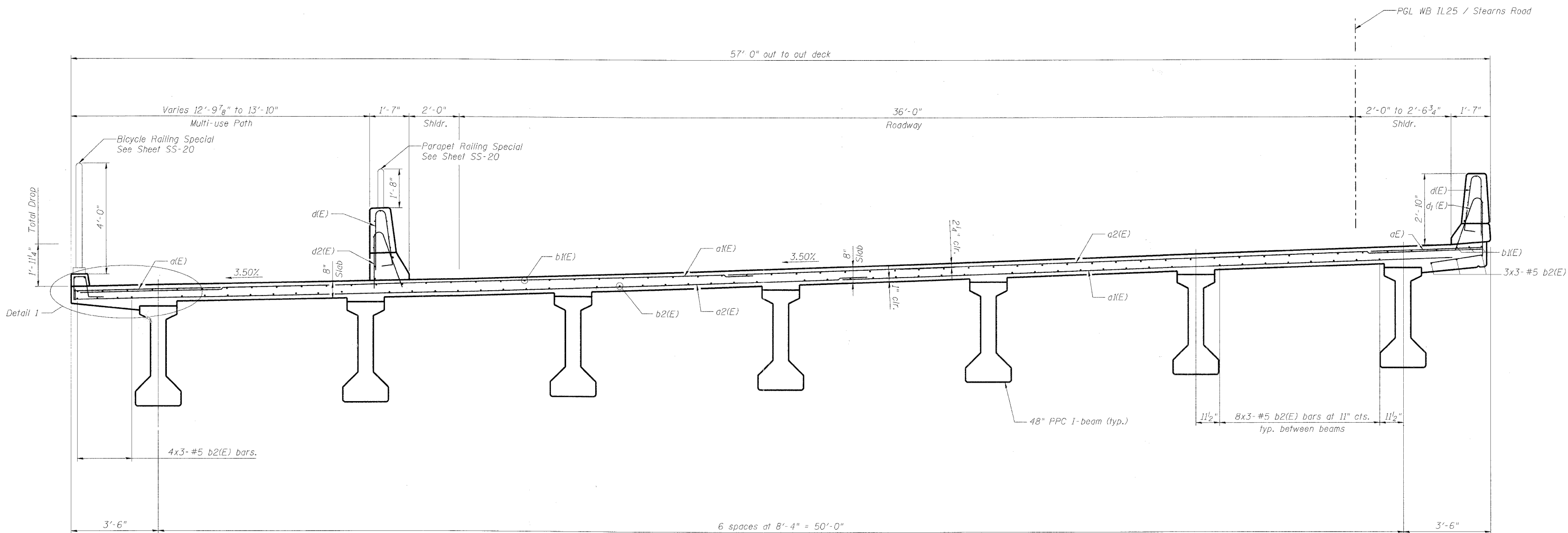


STATE OF ILLINOIS
DEPARTMENT OF TRANSPORTATION

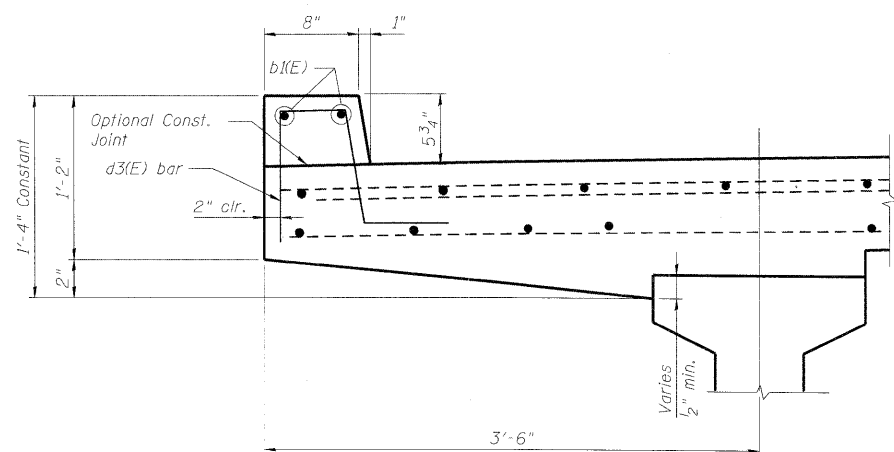
ROUTE NO.	SECTION	COUNTY	TOTAL SHEETS	SHEET NO.
-	-	KANE	545	357
FED. ROAD DIST. NO. 7	ILLINOIS	FED. AID PROJECT		

SHEET SS- 8
OF 22 SHEETS

Contract # 63074



DECK CROSS SECTION



DETAIL 1

NOTES:
1. See Sheet SS-7 for deck plan.

DESIGNED	AJK
CHECKED	AAV
DRAWN	AYR
CHECKED	HMA/DMC

benesch
alfred benesch & company
Engineers • Surveyors • Planners
205 North Michigan Avenue, Suite 2400
Chicago, Illinois 60601
312-565-0450
Job # 3944

DECK CROSS SECTION
IL 25/STEARNS ROAD OVER THE
EAST BRANCH OF BREWSTER CREEK
F.A.P. 2503 - SEC. 06-00214-15-BR
KANE COUNTY
STATION 138+59.20
STRUCTURE NO. 045-2035