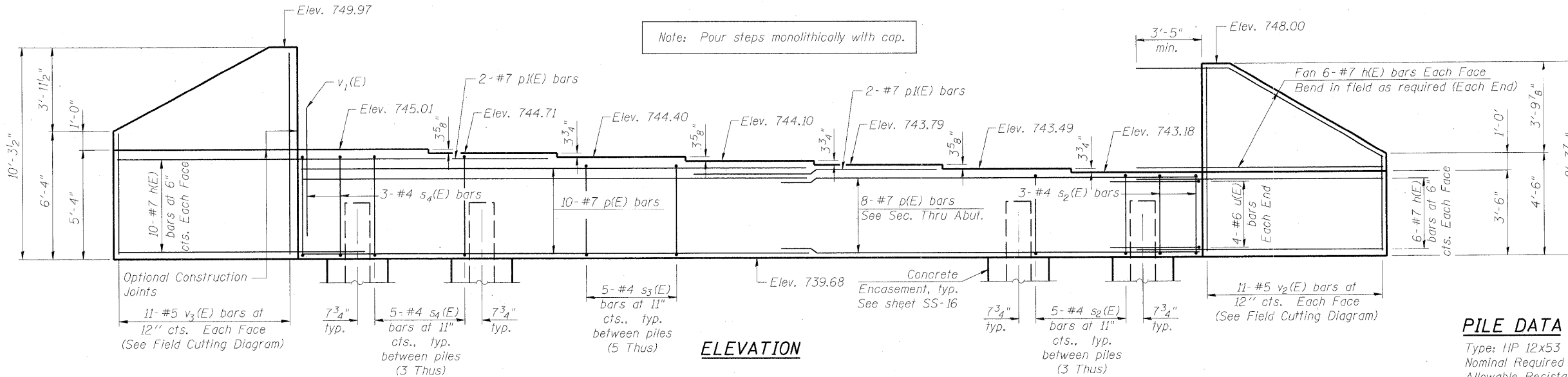


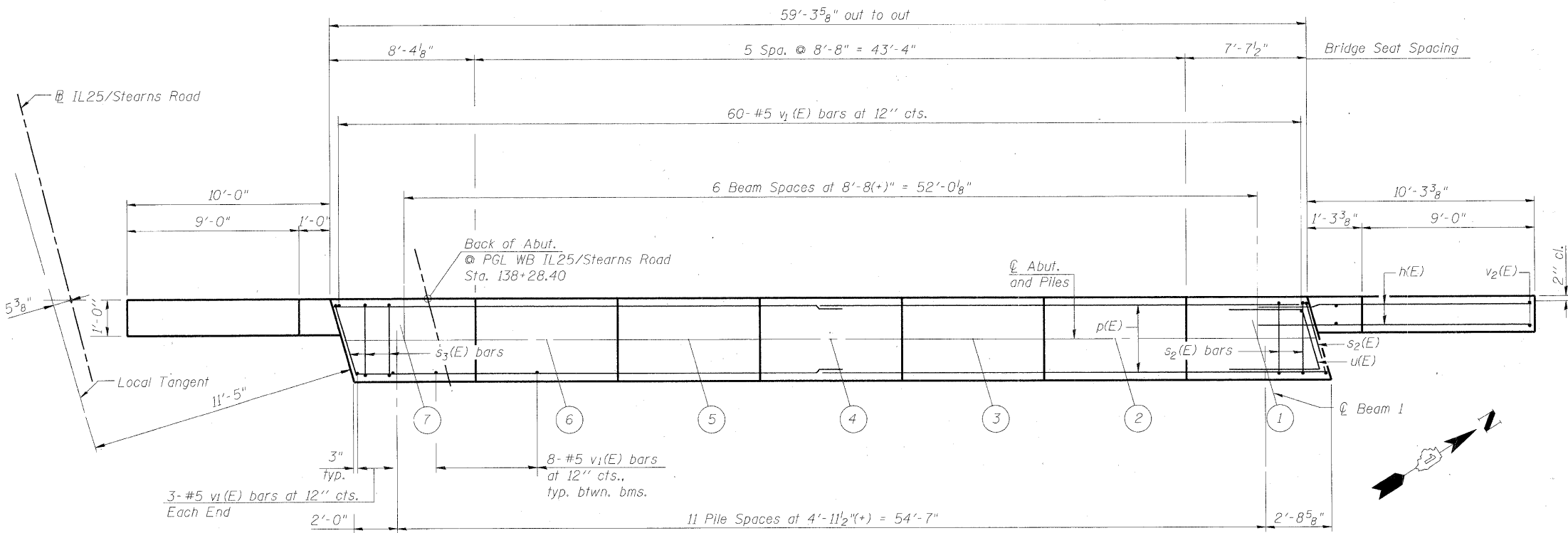
STATE OF ILLINOIS  
DEPARTMENT OF TRANSPORTATION

ROUTE NO.	SECTION	COUNTY	TOTAL SHEETS	SHEET NO.	SHEET SS- 14 OF 22 SHEETS
		KANE	545	363	
FED. ROAD DIST. NO. 7	ILLINOIS	FED. AID PROJECT			

Contract # 63074



**ELEVATION**

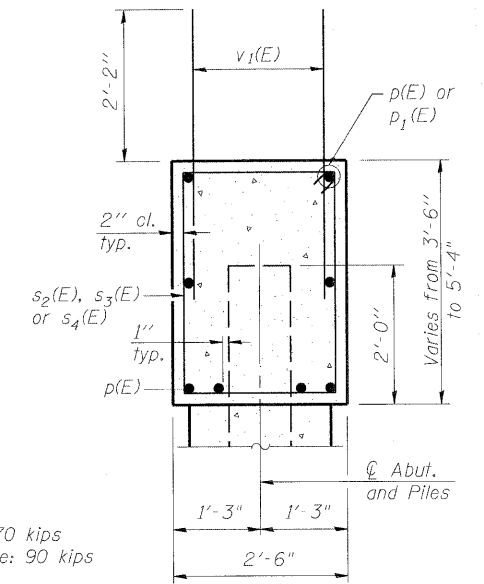


**PLAN**

**PILE DATA**

Type: HP 12x53  
Nominal Required Bearing: 270 kips  
Allowable Resistance Available: 90 kips  
Est. Length: 72.0 Feet  
No. Production Piles: 11  
No. Test Piles: 1

Piles shall be driven through 1'-6" diameter precored holes extending to elevation 737.0 according to Article 512.09(c) of the Standard Specifications. Cost included in driving piles.

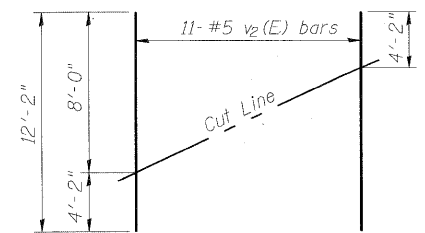


**SECT. THRU ABUT.**

**BILL OF MATERIAL**

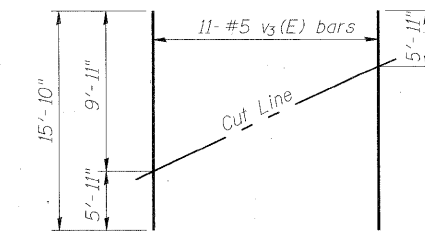
Bar	No.	Size	Length	Shape
h(E)	56	#7	14'-3"	—
p(E)	18	#7	31'-11"	—
p1(E)	4	#7	17'-0"	—
s2(E)	18	#5	11'-7"	□
s3(E)	25	#5	12'-9"	□
s4(E)	18	#5	14'-7"	□
u(E)	8	#6	6'-7"	┌
v1(E)	114	#5	4'-1"	—
v2(E)	11	#5	12'-2"	—
v3(E)	11	#5	15'-10"	—
Concrete Structures		Cu. Yd.	30.0	
Reinforcement Bars, Epoxy Coated		Pound	4,690	
Furnishing Steel Piles, HP12x53		Foot	792	
Driving Piles		Foot	792	
Test Pile Steel, HP12x53		Each	1	
Pile Shoes		Each	12	
Concrete Encasement		Cu. Yd.	4.2	

For details of piles and Concrete Encasement, see sheet SS-16.



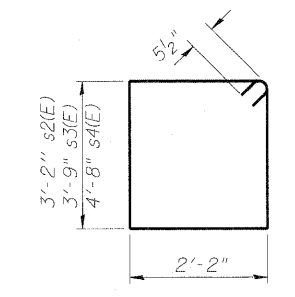
**FIELD CUTTING DIAGRAM**

Order v2(E) full length. Cut as shown and use remainder of bars in opposite face.

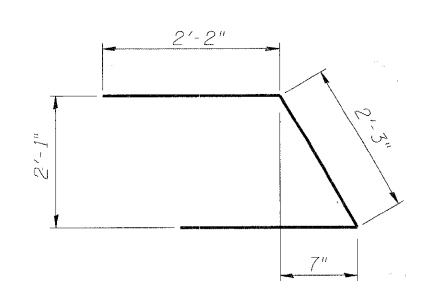


**FIELD CUTTING DIAGRAM**

Order v3(E) full length. Cut as shown and use remainder of bars in opposite face.



**BARS s2(E) & s3(E)**



**BAR u(E)**

DESIGNED	AJK
CHECKED	AAY
DRAWN	AYR
CHECKED	HMA/DMC

**benesch**

alfred benesch & company  
Engineers • Surveyors • Planners  
205 North Michigan Avenue, Suite 2400  
Chicago, Illinois 60601  
312-565-0450  
Job # 3944

**WEST ABUTMENT-PLAN AND ELEVATION**  
**IL 25/STEARNS ROAD OVER THE**  
**EAST BRANCH OF BREWSTER CREEK**  
**F.A.P. 2503 - SEC. 06-00214-15-BR**  
**KANE COUNTY**  
**STATION 138+59.20**  
**STRUCTURE NO. 045-2035**