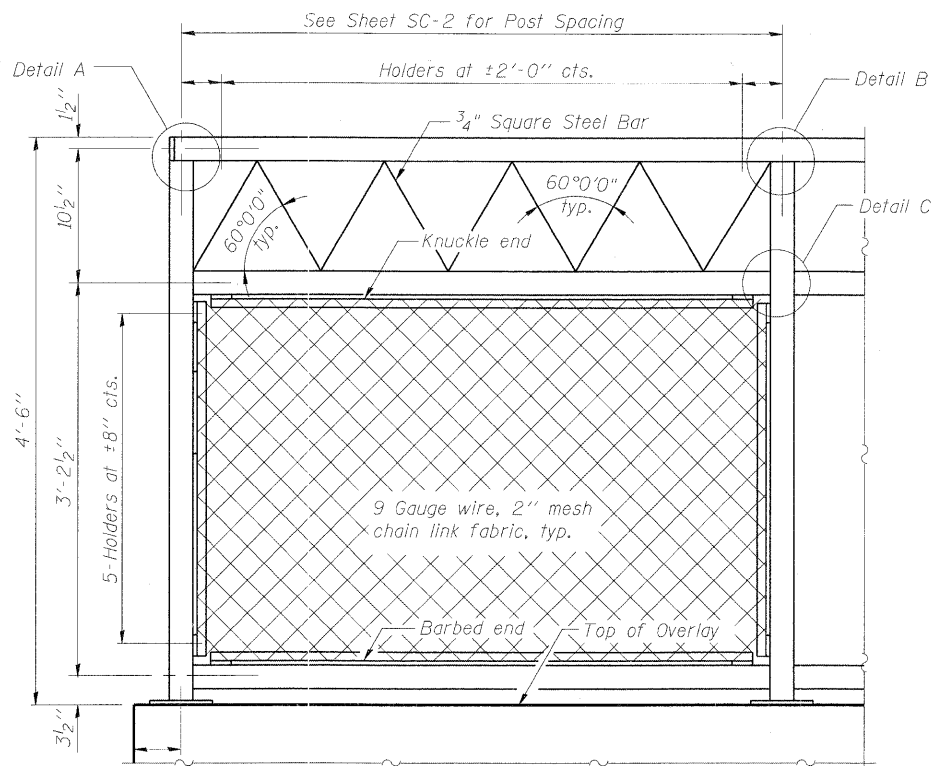


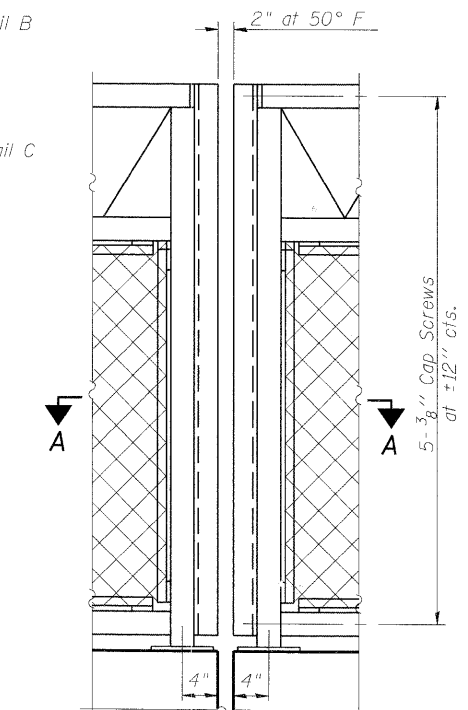
STATE OF ILLINOIS
DEPARTMENT OF TRANSPORTATION

ROUTE NO.	SECTION	COUNTY	TOTAL SHEETS	SHEET NO.
-	-	KANE	545	375
FED. ROAD DIST. NO. 7		ILLINOIS	FED. AID PROJECT	

SHEET SC- 4
OF 4 SHEETS
Contract # 63074



BICYCLE RAILING ELEVATION



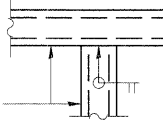
BICYCLE RAILING ELEVATION AT EXPANSION JOINT

ℙ 1/4" x 3" x 3"

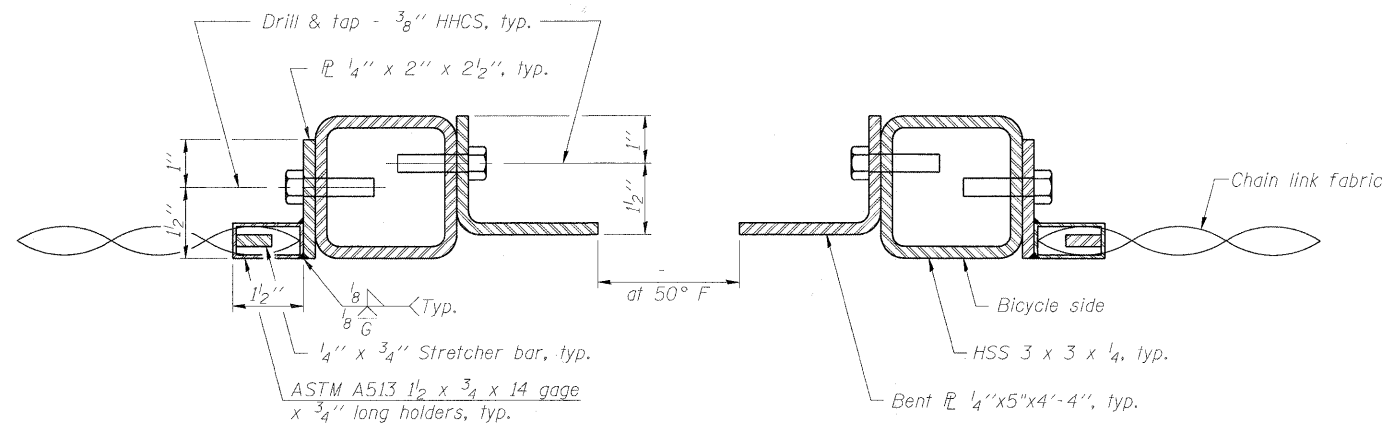
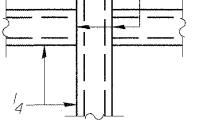
DETAIL A



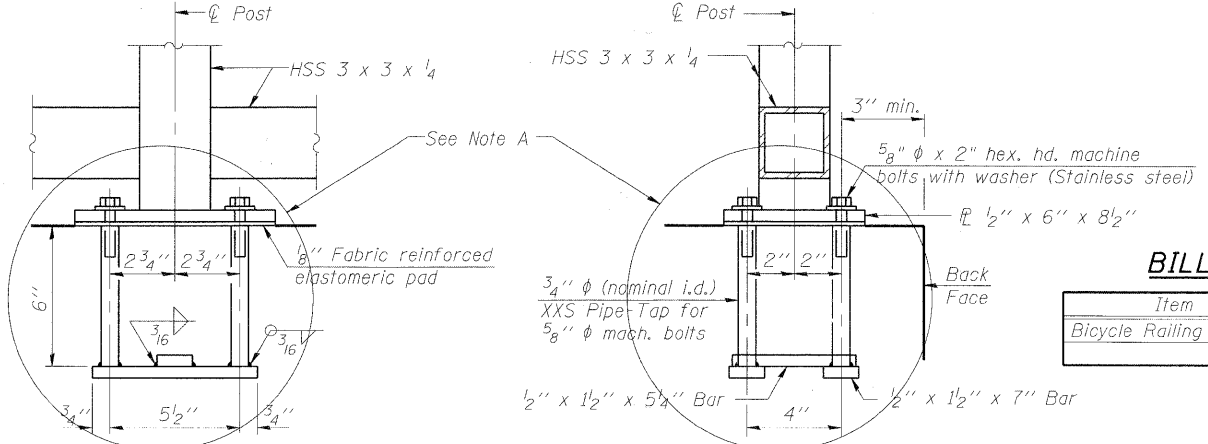
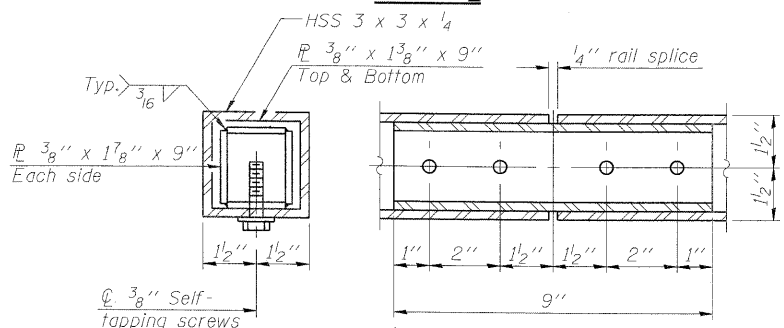
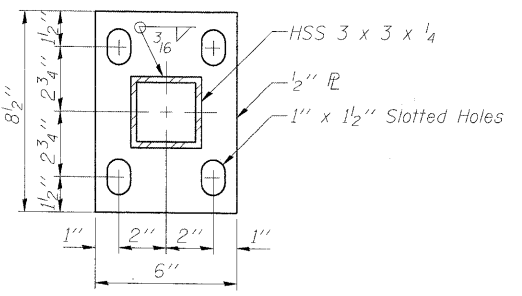
DETAIL B



DETAIL C



All post, railing, splices, anchor devices, and bent plates shall be painted using the (List the appropriate paint system for Structural Steel).



Note A: Contractor shall drill and set 5/8" φ anchor rods according to Article 509.06 of the Standard Specifications. Embedment shall be according to the manufacturer's specifications.

Cost of anchor rods and installation shall be included with Bicycle Railing

BILL OF MATERIAL

Item	Unit	Quantity
Bicycle Railing	Foot	305

MULTI-USE DETAILS (RAILINGS/PARAPET)
CONVERSION OF EXISTING DUNHAM OVER CCP RAILROAD TO MULTI USE BRIDGE
F.A.P. 360 - SEC. 06-00214-15-BR
KANE COUNTY
STATION 907+49.69
STRUCTURE NO. 045-3021

DESIGNED	AJK
CHECKED	DMC
DRAWN	AJK
CHECKED	HMA

benesch
alfred benesch & company
Engineers • Surveyors • Planners
205 North Michigan Avenue, Suite 2400
Chicago, Illinois 60601
312-665-0450
Job # 3944