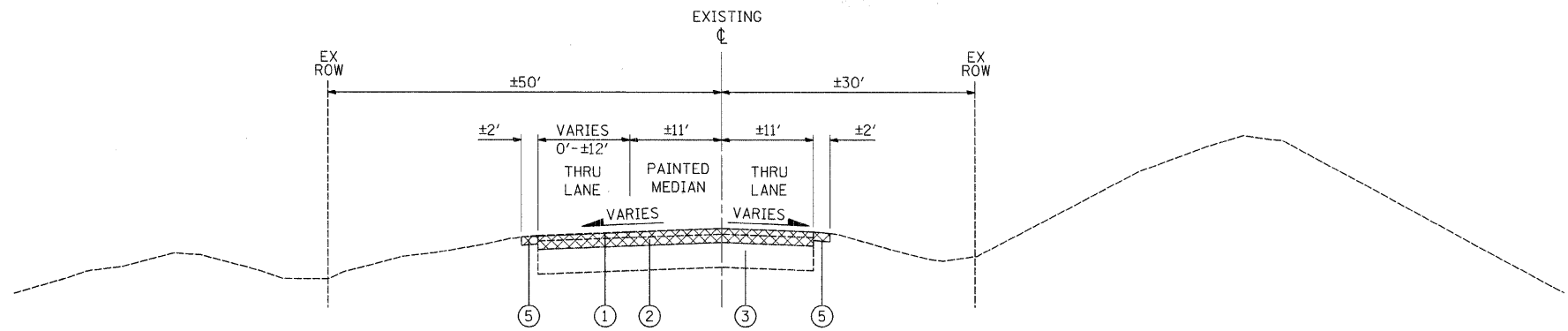
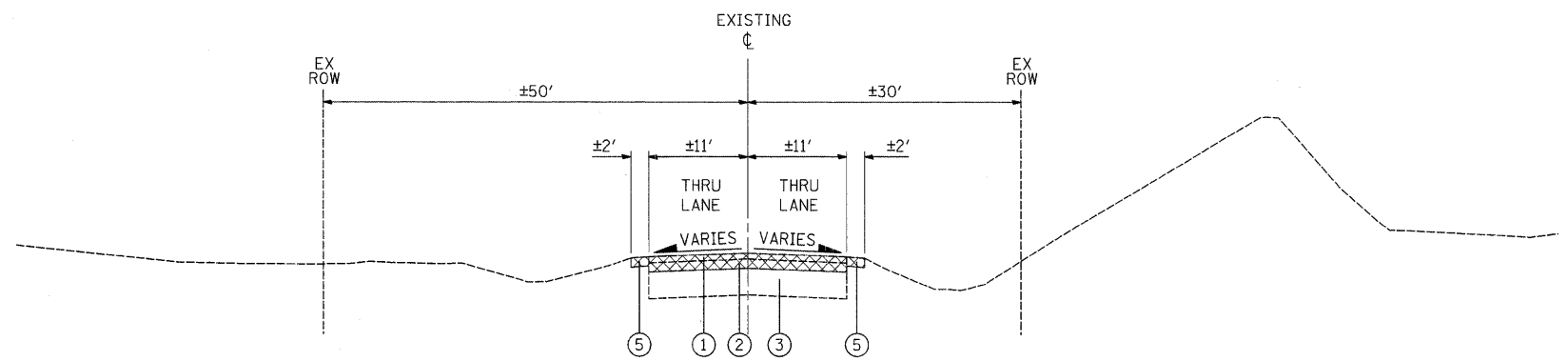


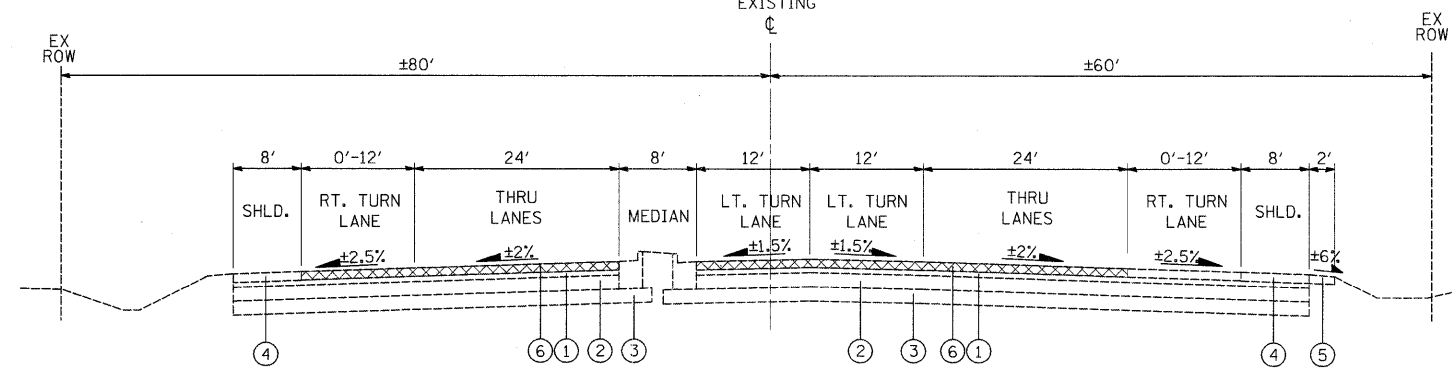
MCDONALD ROAD - EXISTING TYPICAL SECTION
STA. 678+22.7 TO STA. 682+42



MCDONALD ROAD - EXISTING TYPICAL SECTION
STA. 682+42 TO STA. 689+00



MCDONALD ROAD - EXISTING TYPICAL SECTION
STA. 689+00 TO STA. 702+04
EXISTING



RANDALL ROAD - EXISTING TYPICAL SECTION

LEGEND

- ① HMA PAVEMENT, SURFACE, 1 1/4" TO 4 1/2"
- ② HMA PAVEMENT, BINDER, 1 3/4" TO 8"
- ③ GRANULAR BASE, 5" TO 19"
- ④ HMA SHOULDERS
- ⑤ AGGREGATE SHOULDERS
- ⑥ HOT-MIX ASPHALT SURFACE REMOVAL, 2"

