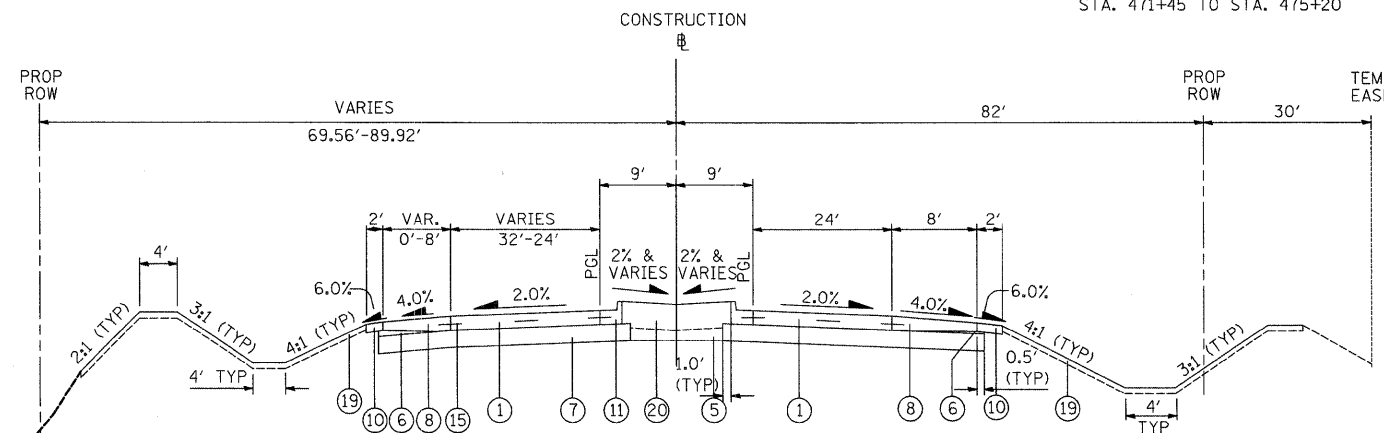
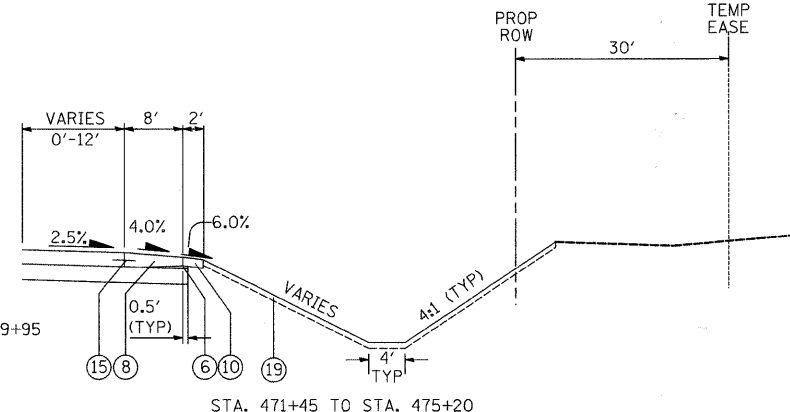
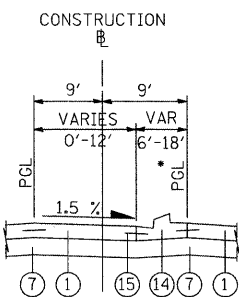


STEARNS ROAD PROPOSED TYPICAL SECTION
STA. 450+35 TO STA. 466+85
+ SEE SUPERELEVATION TABLE FOR RATES & LOCATIONS



STEARNS ROAD PROPOSED TYPICAL SECTION
STA. 466+85 TO STA. 480+55

- LEGEND
- ① PORTLAND CEMENT CONCRETE PAVEMENT 10" (JOINTED) (42000501)
 - ② POLYMERIZED HOT-MIX ASPHALT SURFACE COURSE, MIX "F", N90, 2" (40603595)
 - ③ NOT USED
 - ④ POLYMERIZED HOT-MIX ASPHALT BINDER COURSE, IL-19.0, N90, 8 3/4" (40701896)
 - ⑤ EMBANKMENT
 - ⑥ SUB-BASE GRANULAR MATERIAL, TYPE B (31101900)
 - ⑦ AGGREGATE SUBGRADE 12" (20001050)
 - ⑧ PORTLAND CEMENT CONCRETE SHOULDERS 6" (SPECIAL)
 - ⑨ CONCRETE MEDIAN, TYPE SB-6.24 (MODIFIED) (60620200)
 - ⑩ AGGREGATE SHOULDERS, TYPE B 6" (48101500)
 - ⑪ COMBINATION CONCRETE CURB AND GUTTER, TYPE B-6.24 (60605000)
 - ⑫ COMBINATION CONCRETE CURB AND GUTTER, TYPE B-6.12 (60603800)
 - ⑬ CONCRETE GUTTER, TYPE A (60602500)
 - ⑭ CONCRETE MEDIAN, TYPE SB-6.24 (60620000)
 - ⑮ #6 BARS (EPOXY COATED) 30" LENGTH, @ 30" CENTERS AT PAVEMENT TO PAVEMENT JOINTS
#6 BARS (EPOXY COATED) 24" LENGTH, @ 24" CENTERS AT PAVEMENT TO SHOULDER JOINTS
#6 BARS (EPOXY COATED) 24" LENGTH, @ 24" CENTERS AT PAVEMENT TO C&G/MEDIAN JOINTS (INCIDENTAL TO P.C.C. PAVEMENT)
 - ⑯ HMA SHOULDERS 6" (48203021)
 - ⑰ STEEL PLATE BEAM GUARD RAIL, TYPE A, 6 FOOT POSTS (63000001)
 - ⑱ MECHANICALLY STABILIZED EARTH RETAINING WALL (XX004056)
 - ⑲ TOPSOIL FURNISH AND PLACE, 4" (21101615) & SEEDING CLASS 7 (25000350) (SEE LANDSCAPING SHEETS FOR LIMITS OF SEEDING)
 - ⑳ TOPSOIL FURNISH AND PLACE, 24" (21101685) & SEEDING CLASS 7 (25000350)