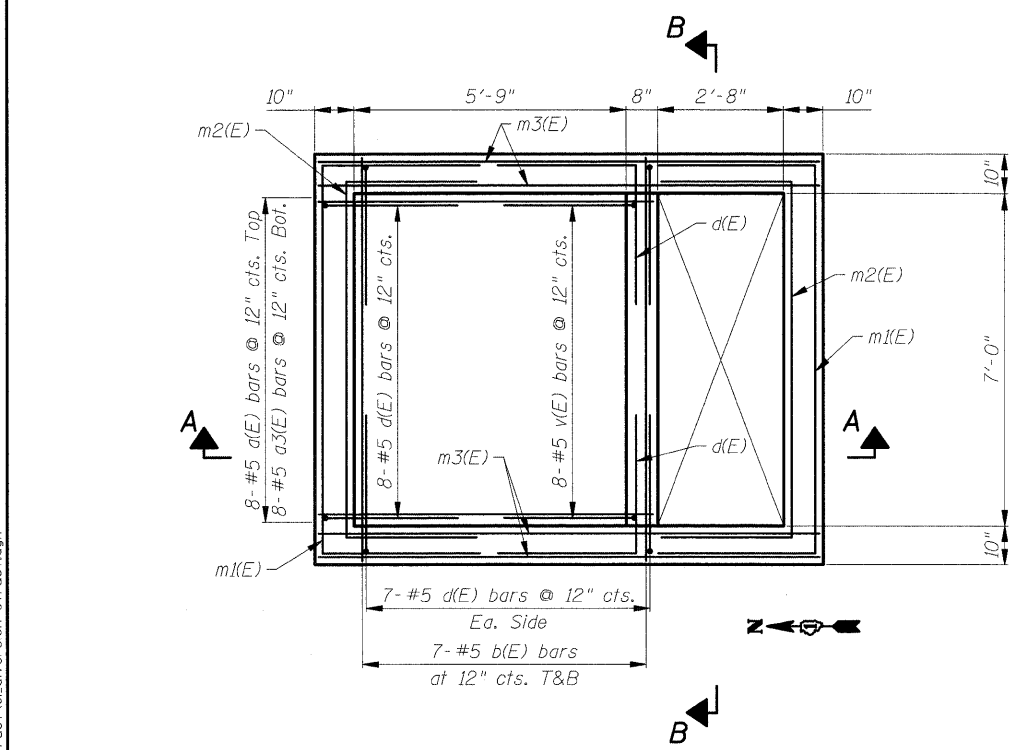
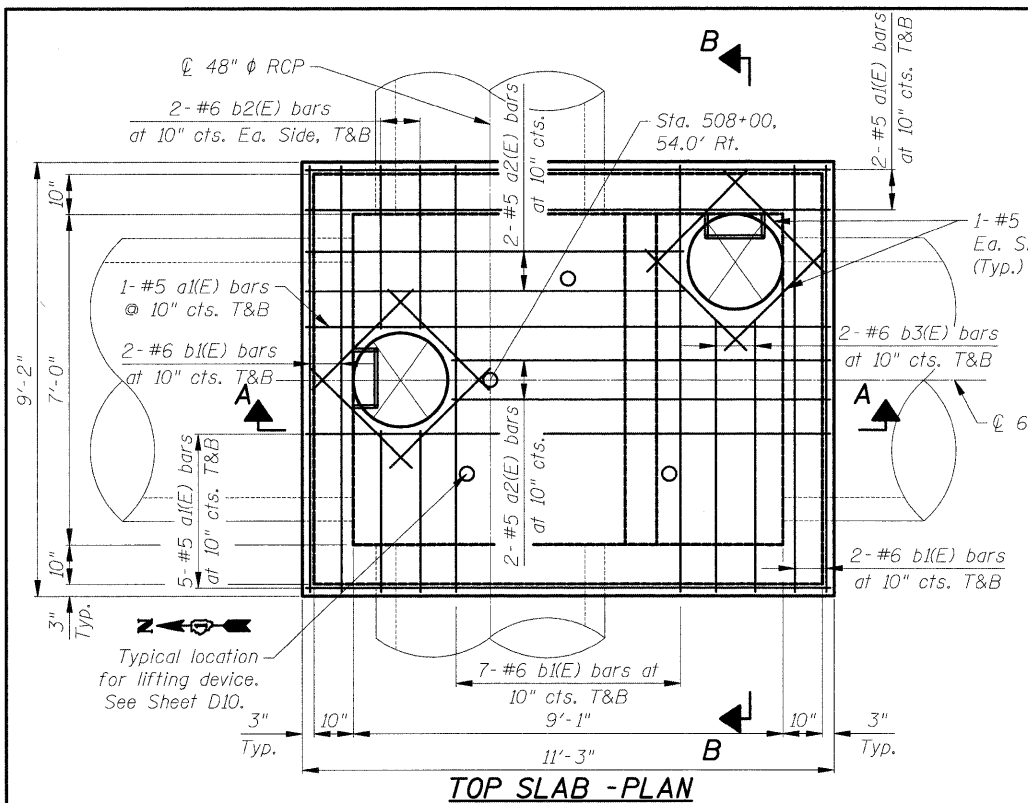


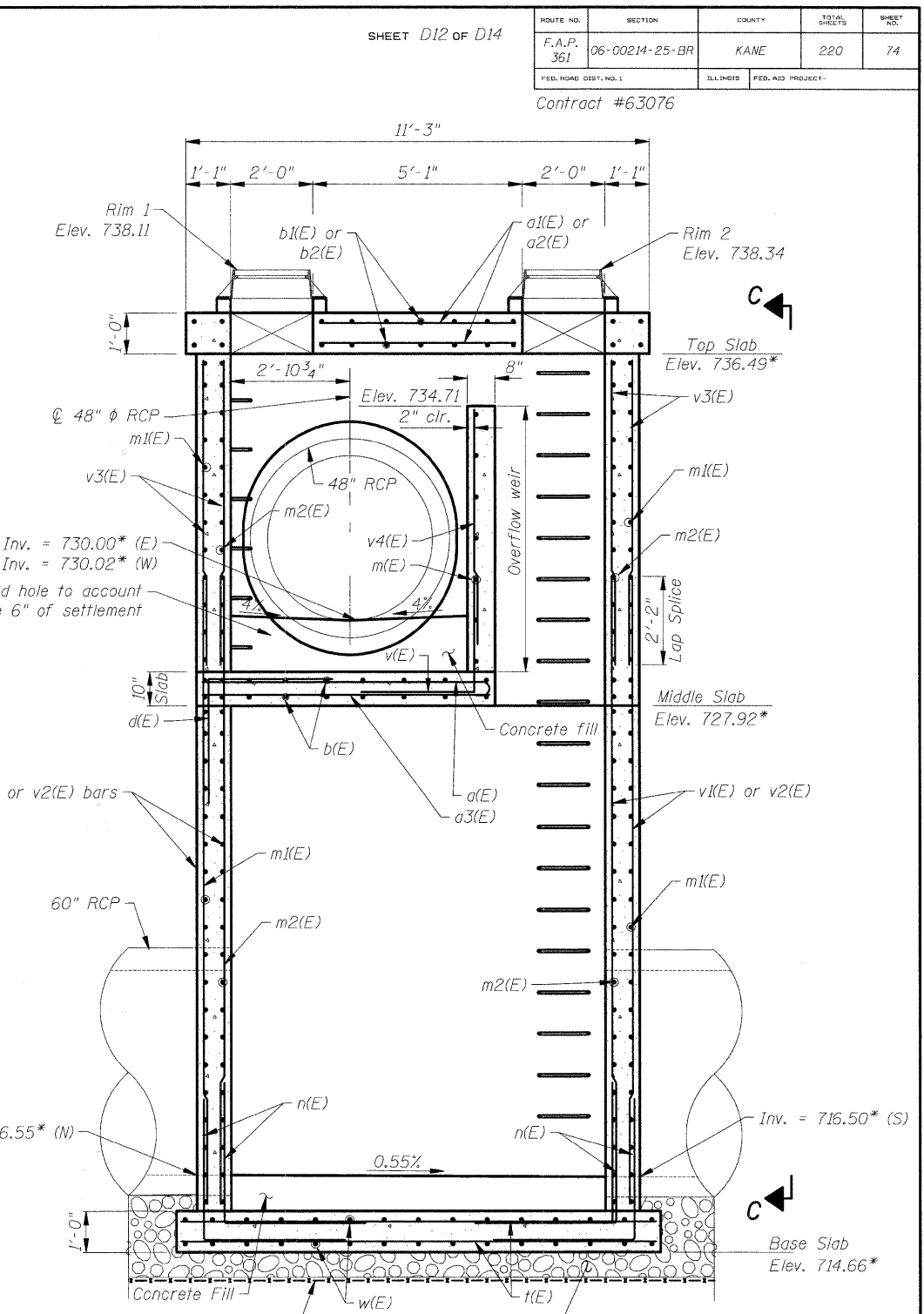
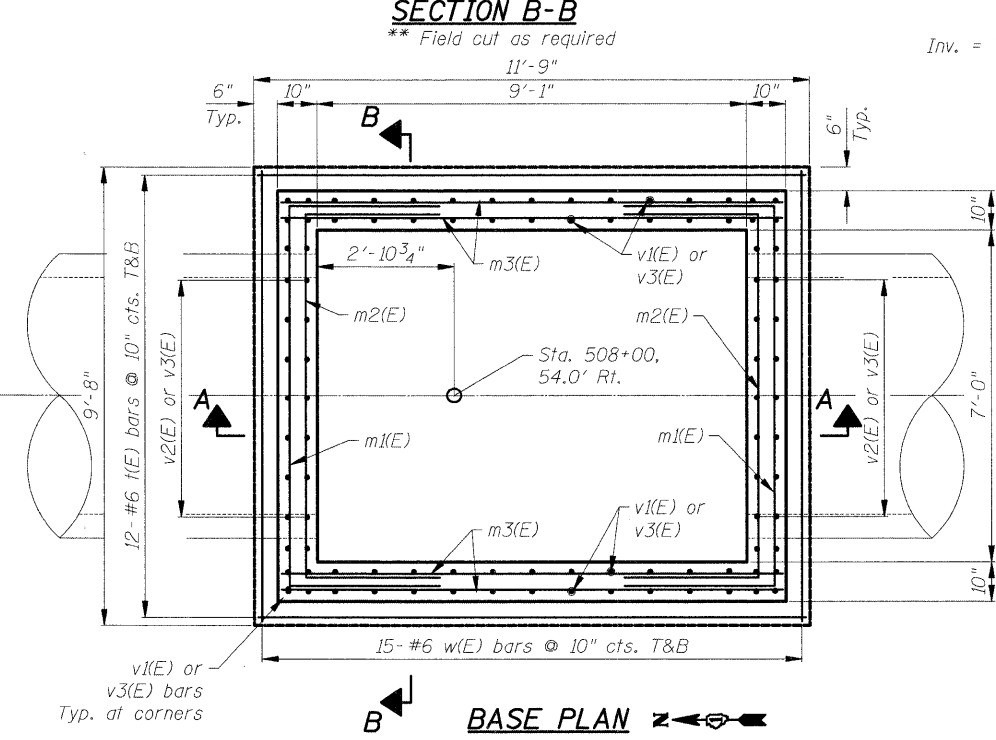
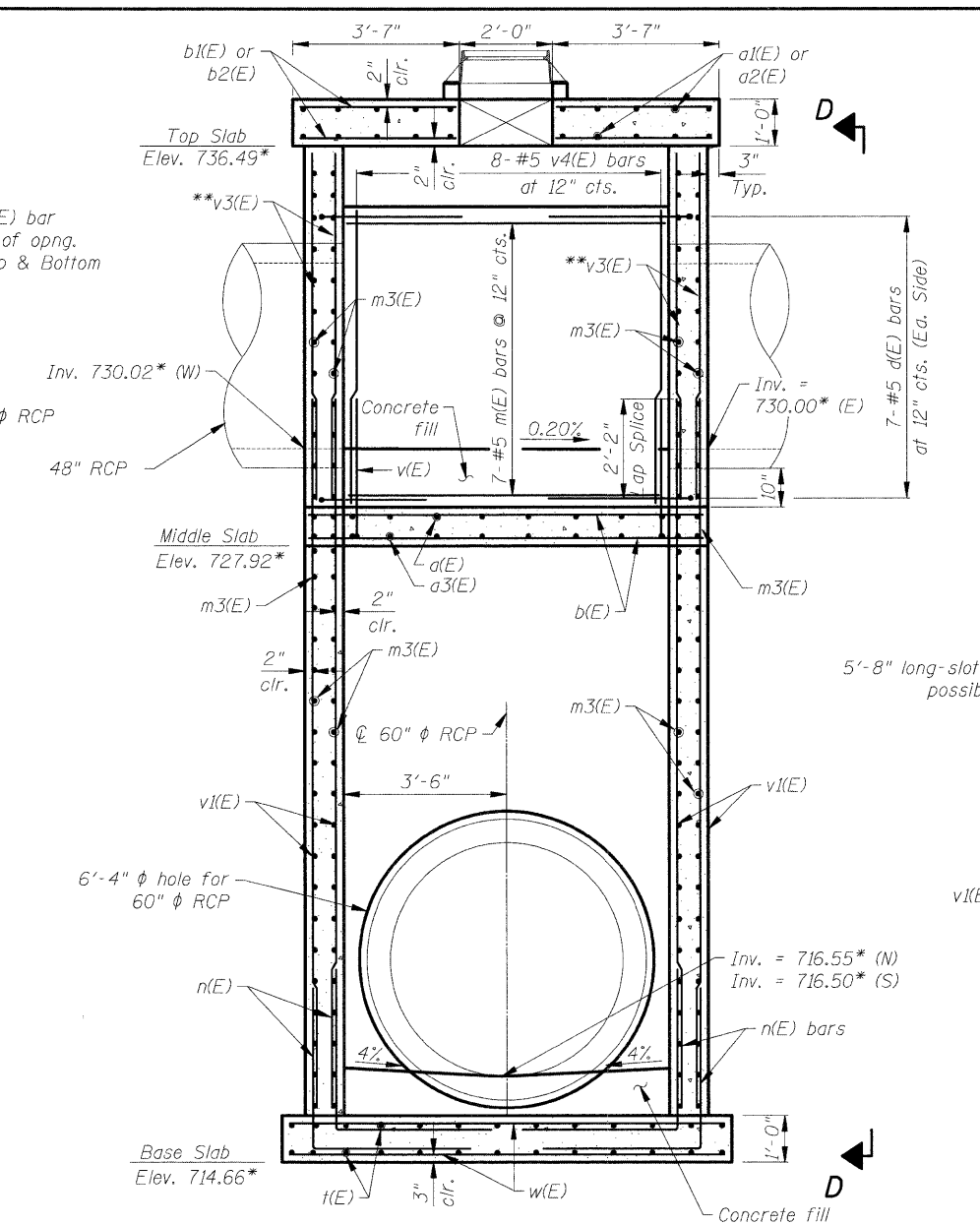
ROUTE NO.	SECTION	COUNTY	TOTAL SHEETS	SHEET NO.
F.A.P. 361	06-00214-25-BR	KANE	220	74
FED. ROAD DIST. NO. 1		ILLINOIS	FED. AID PROJECT-	

Contract #63076



NOTES:

1. See standard 602701 for details of manhole steps.
2. See sheet D10 for Reinforcement Bill of Material and bar bend information.
3. *Indicates that elevations have been adjusted for the anticipated 6" of settlement.



REVISIONS	
NAME	DATE

ILLINOIS DEPARTMENT OF TRANSPORTATION

DIVERSION STRUCTURE DETAILS I

STEARNS ROAD (FAP 361)
STA. 508+00
SECTION 06-00214-25-BR
KANE COUNTY

SCALE: None
DRAWN BY: M. Lange
DATE: December 19, 2008
CHECKED BY: G. Hatlestad

3/27/2009 6:30:53 PM J:\215\Road\Struct\diver\diver\01 diversion Struct.dgn

CIVILTECH

450 E Devon Ave, Suite 300
Itasca, Illinois 60143
Tel: 630.773.3900 Fax: 630.773.3975
www.civiltechinc.com