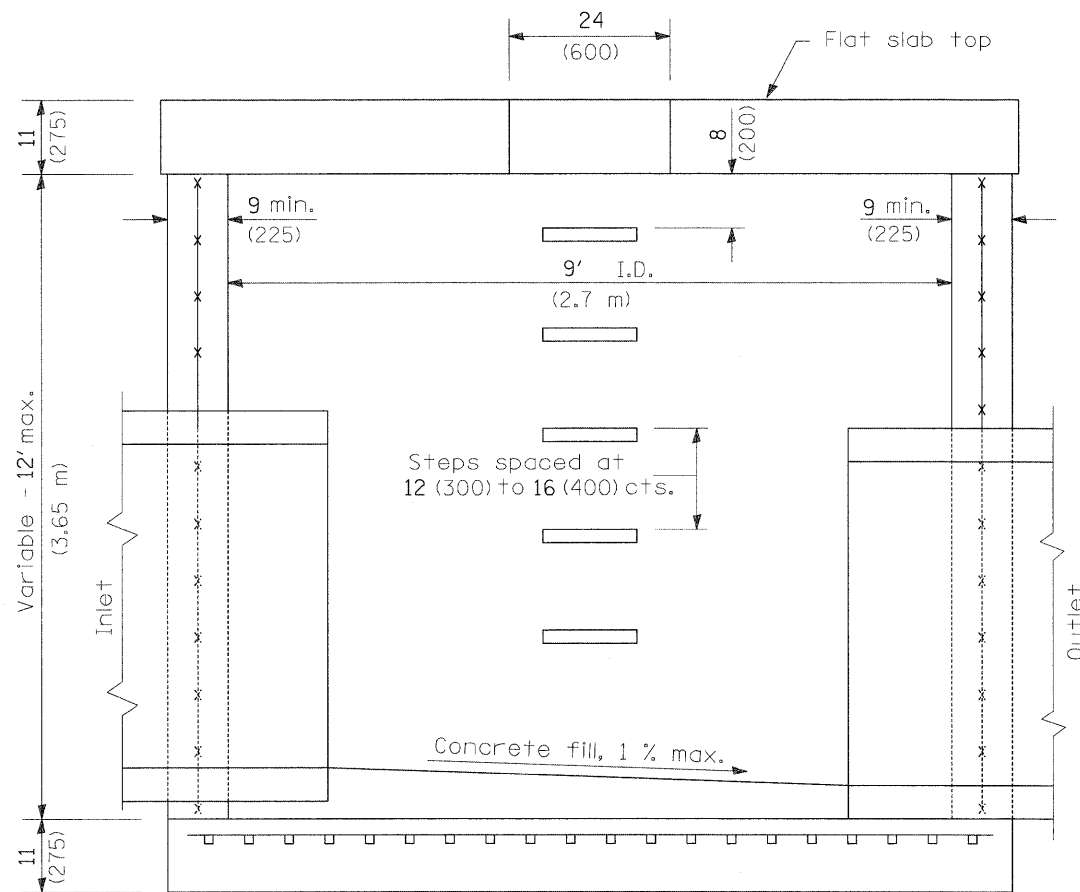


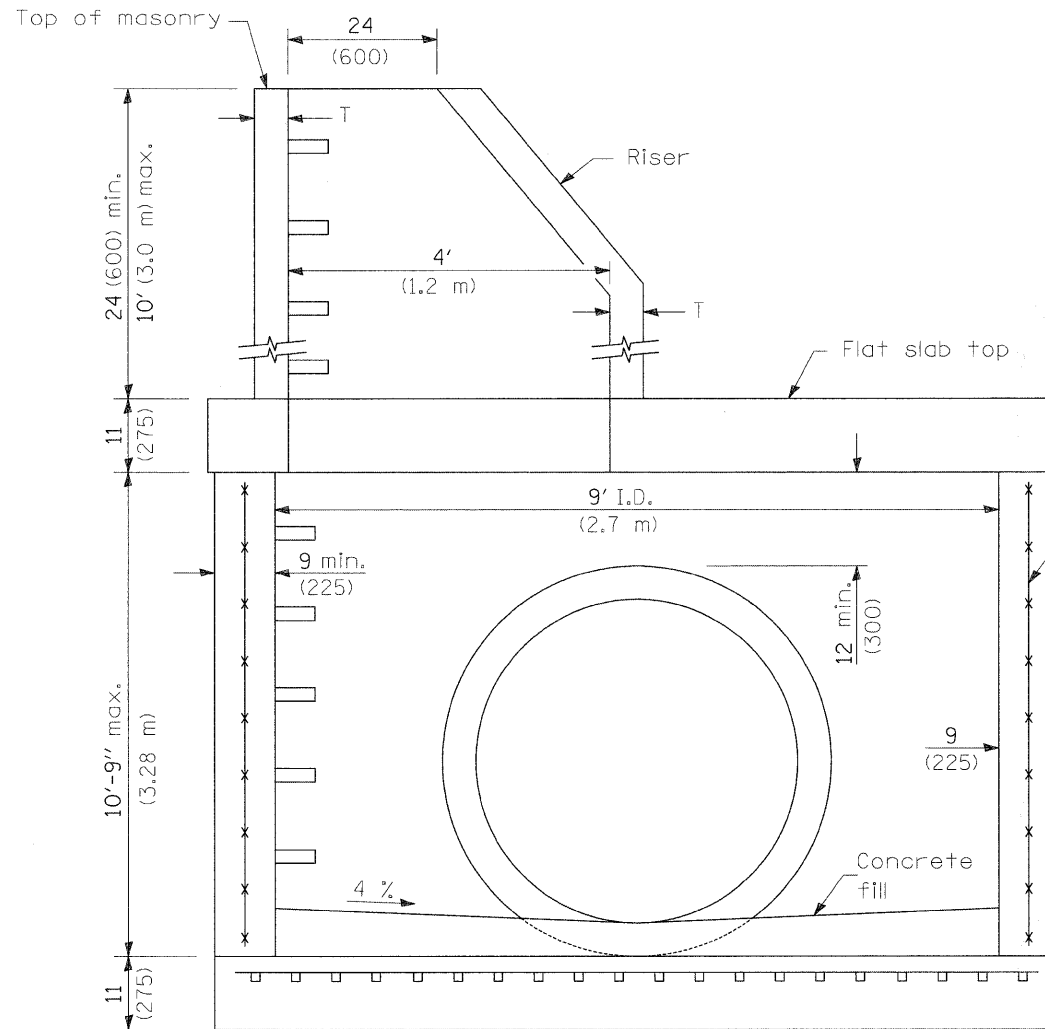
ROUTE NO.	SECTION	COUNTY	TOTAL SHEETS	SHEET NO.
F.A.P. 361	06-00214-25-BR	KANE	220	76
FED. ROAD DIST. NO. 1		ILLINOIS	FED. AID PROJECT-	

Contract #63076



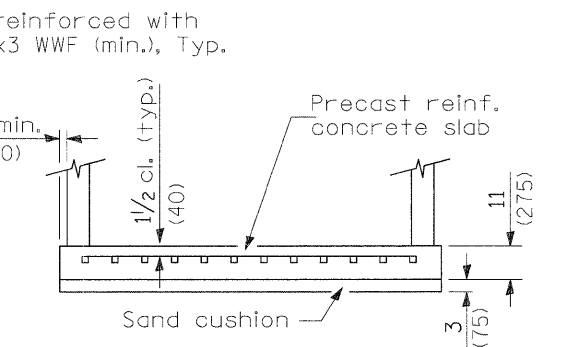
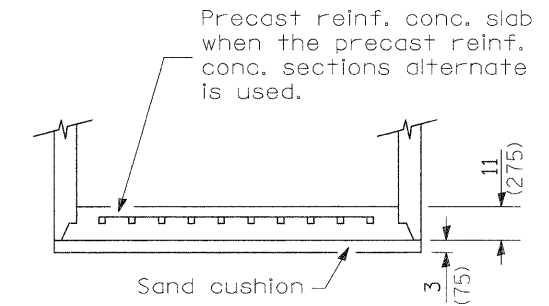
ELEVATION

(With Flat Slab Top Only)



ELEVATION

(With Flat Slab Top and Riser)



ALTERNATE BOTTOM SLABS

GENERAL NOTES

Joint configuration and dimensions of flat slab top shall match and fit the riser joint detail.

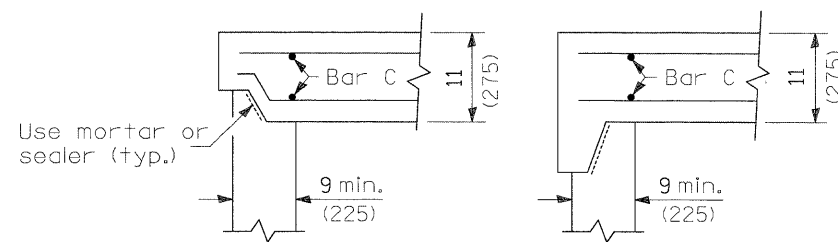
Lifting devices shall be approved by the Engineer.

Bottom slabs shall be reinforced with a minimum of 0.67 sq. in./ft. (1420 sq. mm/m) in both directions.

See Standard 602701 for details of manhole steps.

See Standard 602421 for details of the Top Slab.

All dimensions are in inches (millimeters) unless otherwise shown.



ALTERNATE JOINT CONFIGURATIONS

ALTERNATE MATERIALS FOR RISER WALLS	T (min)
Concrete Masonry Units	5 (125)
Precast Reinforced Concrete Sections	4 (100)
Cast-in-Place Concrete	6 (150)

ILLINOIS DEPARTMENT OF TRANSPORTATION

SPECIAL 9 FT DIA. MANHOLE

STEARNS ROAD (FAP 361)
STA. 508+00
SECTION 06-00214-25-BR
KANE COUNTY

SCALE: None DRAWN BY:
DATE: December 19, 2008 CHECKED BY:

REVISIONS	
NAME	DATE