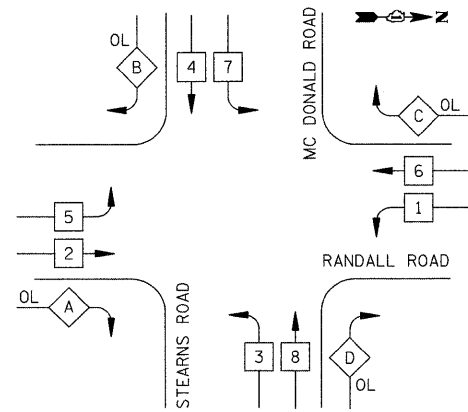
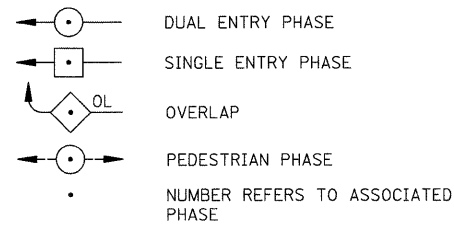


PROPOSED CONTROLLER SEQUENCE



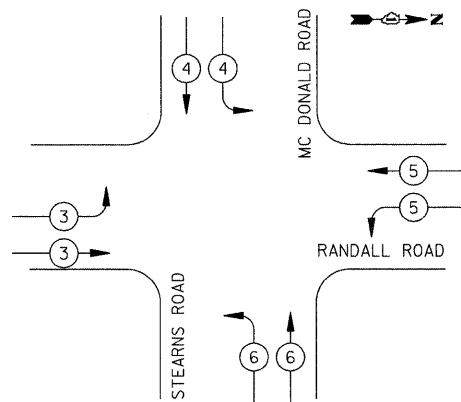
LEGEND



PHASE DESIGNATION DIAGRAM

RIGHT TURN OVERLAP PHASE DESIGNATION			
OVERLAP LETTER	=	PERMISSIVE PHASE	PROTECTED PHASE
A	=	2	+ 3
B	=	4	+ 5
C	=	6	+ 7
D	=	8	+ 1

PROPOSED EMERGENCY VEHICLE PREEMPTION SEQUENCE



PROPOSED EMERGENCY VEHICLE PREEMPTORS				
EMERGENCY VEHICLE PREEMPTOR	3	4	5	6
MOVEMENT				

SCHEDULE OF QUANTITIES

PAY ITEM	UNIT	QUANTITY
CONDUIT IN TRENCH, 2" DIA., GALVANIZED STEEL	FOOT	533
CONDUIT IN TRENCH, 2 1/2" DIA., GALVANIZED STEEL	FOOT	56
CONDUIT IN TRENCH, 3" DIA., GALVANIZED STEEL	FOOT	122
CONDUIT IN TRENCH, 4" DIA., GALVANIZED STEEL	FOOT	192
CONDUIT IN TRENCH, 5" DIA., GALVANIZED STEEL	FOOT	10
CONDUIT PUSHED, 4" DIA., GALVANIZED STEEL	FOOT	580
HANDHOLE	EACH	5
DOUBLE HANDHOLE	EACH	2
TRENCH AND BACKFILL FOR ELECTRICAL WORK	FOOT	806
FULL-ACTUATED CONTROLLER AND TYPE IV CABINET (SPECIAL)	EACH	1
ELECTRIC CABLE IN CONDUIT, SIGNAL NO. 14 3C	FOOT	1336
ELECTRIC CABLE IN CONDUIT, SIGNAL NO. 14 5C	FOOT	5034
ELECTRIC CABLE IN CONDUIT, SIGNAL NO. 14 7C	FOOT	2250
ELECTRIC CABLE IN CONDUIT, SERVICE, NO. 6 2C	FOOT	51
ELECTRIC CABLE IN CONDUIT, LEAD-IN NO. 14 1 PAIR	FOOT	3238
TRAFFIC SIGNAL POST, GALVANIZED STEEL, 16 FT.	EACH	4
STEEL COMBINATION MAST ARM ASSEMBLY AND POLE, 65 FT.	EACH	1
STEEL COMBINATION MAST ARM ASSEMBLY AND POLE, 70 FT.	EACH	3
CONCRETE FOUNDATION, TYPE A	FOOT	16
CONCRETE FOUNDATION, TYPE D	FOOT	4
CONCRETE FOUNDATION, TYPE E 42-INCH DIAMETER	FOOT	100
DRILL EXISTING HANDHOLE	EACH	3
SIGNAL HEAD, L.E.D., 1-FACE, 3-SECTION, MAST ARM MOUNTED	EACH	12
SIGNAL HEAD, L.E.D., 1-FACE, 5-SECTION, MAST ARM MOUNTED	EACH	4
SIGNAL HEAD, L.E.D., 2-FACE, 1-3 SECTION, 1-5 SECTION, BRACKET MOUNTED	EACH	4
TRAFFIC SIGNAL BACKPLATE, LOUVERED, ALUMINUM	EACH	16
INDUCTIVE LOOP DETECTOR	EACH	7
DETECTOR LOOP, TYPE I	FOOT	328
PREFORMED DETECTOR LOOP	FOOT	137
LIGHT DETECTOR	EACH	4
LIGHT DETECTOR AMPLIFIER	EACH	1
REMOVE EXISTING HANDHOLE	EACH	3
REMOVE TEMPORARY TRAFFIC SIGNAL INSTALLATION	EACH	1
SERVICE INSTALLATION - POLE MOUNTED	EACH	1
UNINTERRUPTIBLE POWER SUPPLY	EACH	1
ELECTRIC CABLE IN CONDUIT, GROUNDING, NO. 6 1C	FOOT	903
ELECTRIC CABLE IN CONDUIT, NO. 20 3/C, TWISTED, SHIELDED	FOOT	1336
VIDEO DETECTION SYSTEM COMPLETE INTERSECTION	EACH	1
INTERSECTION VIDEO TRAFFIC MONITORING SYSTEM WITH PTZ CAMERA	EACH	1
MODIFY TEMPORARY TRAFFIC SIGNAL INSTALLATION	EACH	1
TEMPORARY TRAFFIC SIGNAL TIMINGS	EACH	1
ETHERNET HUB KIT	EACH	1