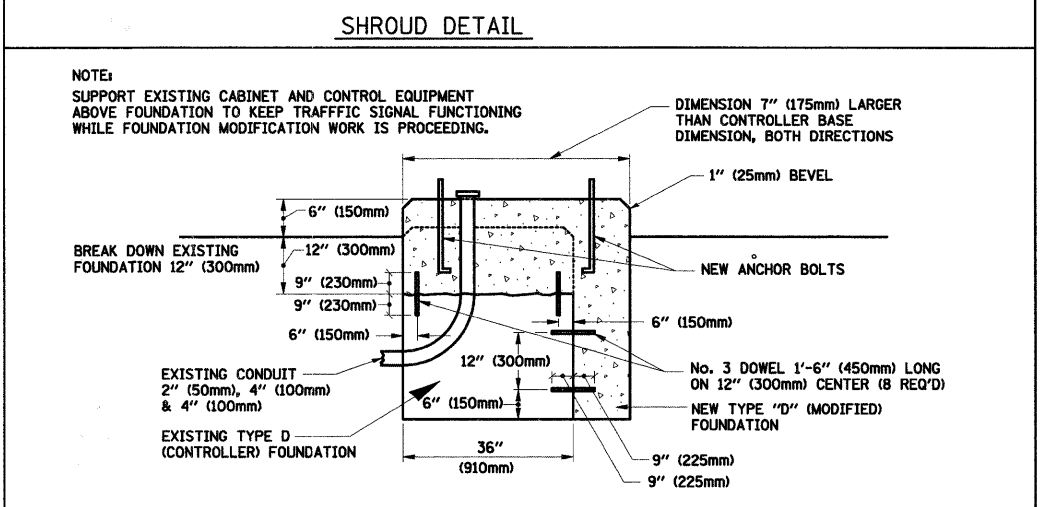
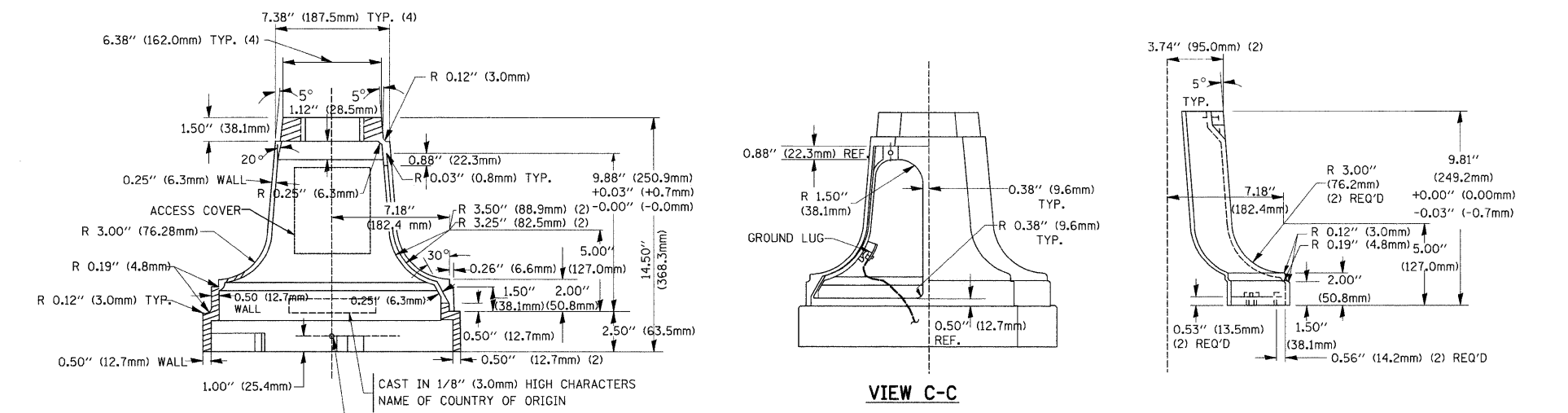


TYPE	A	B	C	HEIGHT	WEIGHT
I	∅ 10.125\"(257mm)	9.5\"(241mm)	19\"(483mm)	12\"(300mm)	24kg
II	∅ 11.125\"(283mm)	10.75\"(273mm)	21.5\"(546mm)	12\"(300mm)	26kg



TRAFFIC SIGNAL POST - MOUNTING BASE - TYPE A

MODIFY EXISTING TYPE "D" FOUNDATION (NOT TO SCALE)

