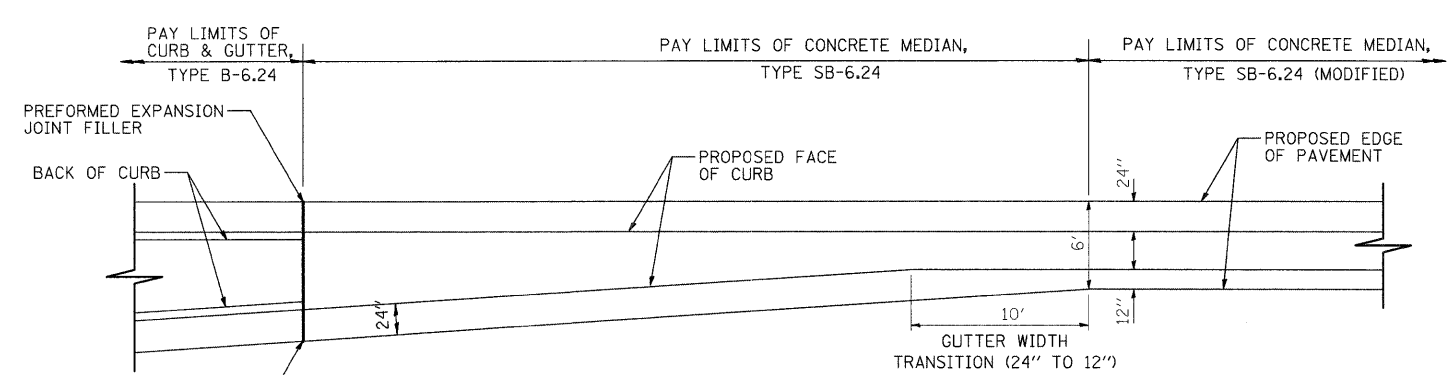
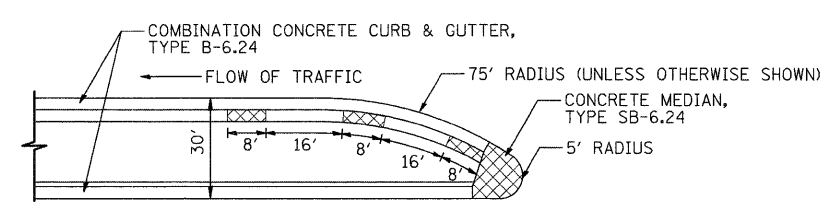


CORRUGATED MEDIAN
 NOTE: CONCRETE MEDIAN, TYPE SB-6.24 SHALL BE CONSTRUCTED IN ACCORDANCE WITH APPLICABLE PORTIONS OF STANDARD 606301
 PAINT FOR THE NOSES AND CURB SHALL BE POLYUREA AND WILL BE PAID AS POLYUREA PAVEMENT MARKING, LETTERS AND SYMBOLS

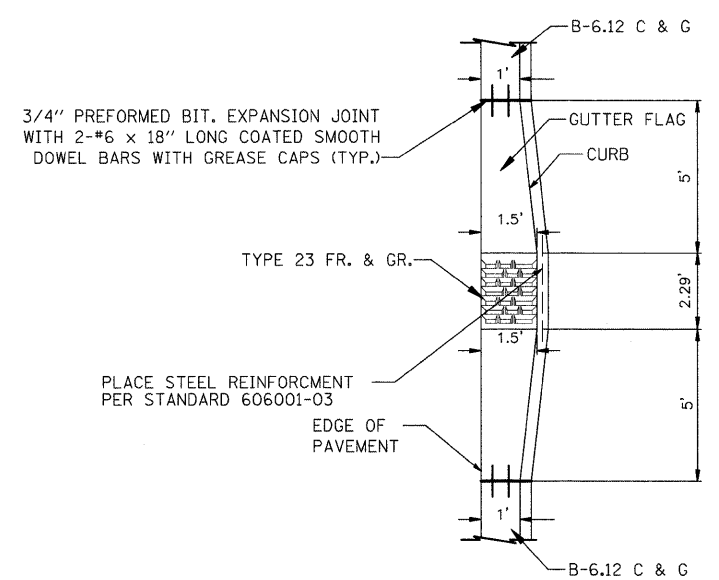


NOTE: CONCRETE MEDIAN SHALL BE CONSTRUCTED IN ACCORDANCE WITH APPLICABLE PORTIONS OF STANDARD 606301

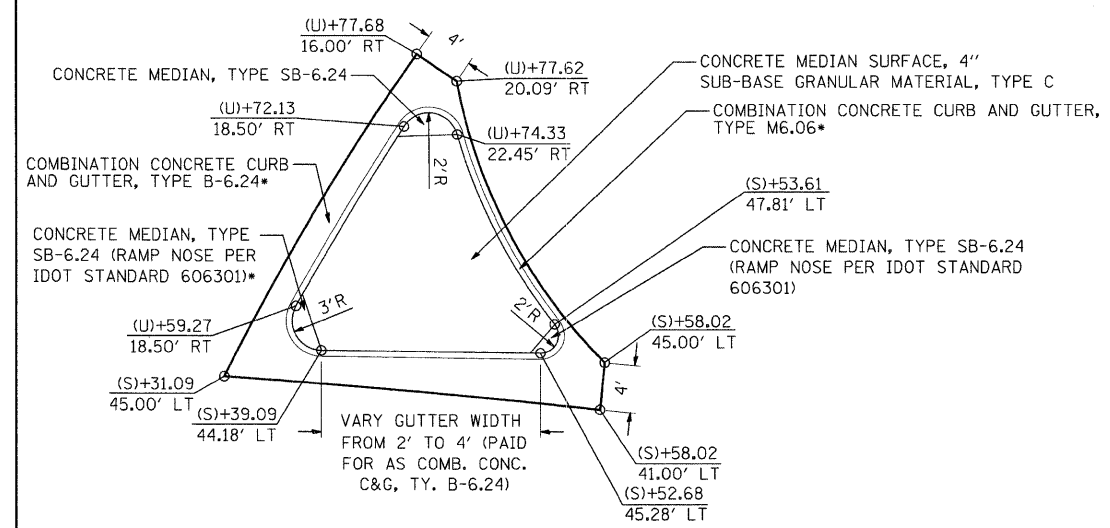


NOTE: CONCRETE MEDIAN, TYPE SB-6.24 SHALL BE CONSTRUCTED IN ACCORDANCE WITH APPLICABLE PORTIONS OF STANDARD 606301
 PAINT FOR THE NOSES AND CURB SHALL BE POLYUREA AND WILL BE PAID AS POLYUREA PAVEMENT MARKING, LETTERS AND SYMBOLS

CONCRETE MEDIAN, TYPE SB-6.24 AT MEDIAN NOSES



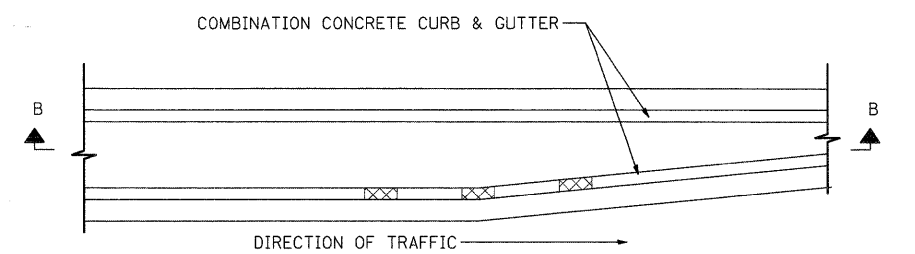
TYPE 23 FRAME AND GRATE IN B-6.12 C & G OR SB-6.24 (MODIFIED)
 NOTE: THE ADDITIONAL GUTTER FLAG WIDTH AND THE EXPANSION JOINTS SHALL BE CONSIDERED AS INCLUDED IN THE COST OF THE COMBINATION CONCRETE CURB & GUTTER, TYPE B-6.12 OR SB-6.24 (MODIFIED).
 WHERE TWO DRAINAGE STRUCTURES ARE LESS THAN 25 FEET APART, THE FACE OF CURB SHALL REMAIN 1.5 FEET FROM THE EDGE OF PAVEMENT BETWEEN THE TWO STRUCTURES.



(U) CORRESPONDS TO UMBDENSTOCK ROAD ALIGNMENT
 (S) CORRESPONDS TO STEARNS ROAD ALIGNMENT
 ALL RAMPED NOSES SHALL BE PAINTED WHITE & WILL BE PAID AS POLYUREA PAVEMENT MARKING, LETTERS AND SYMBOLS.
 TOP & FACE OF CURB SHALL BE PAINTED WHITE & WILL BE PAID AS POLYUREA PAVEMENT MARKING, LETTERS AND SYMBOLS.

ISLAND DETAIL

RIGHT TURN LANE @ UMBDENSTOCK RD AND STEARNS ROAD



PAINTED CURB DETAIL

NOTE: THE PAINTED CENTER DASH SHALL BE CENTERED ON THE CURB BREAK POINT OR CENTERED ON THE DRIVEWAY DIRECTLY ACROSS.
 PAINTED CURB SHALL BE POLYUREA AND WILL BE PAID AS POLYUREA PAVEMENT MARKING, LETTERS AND SYMBOLS