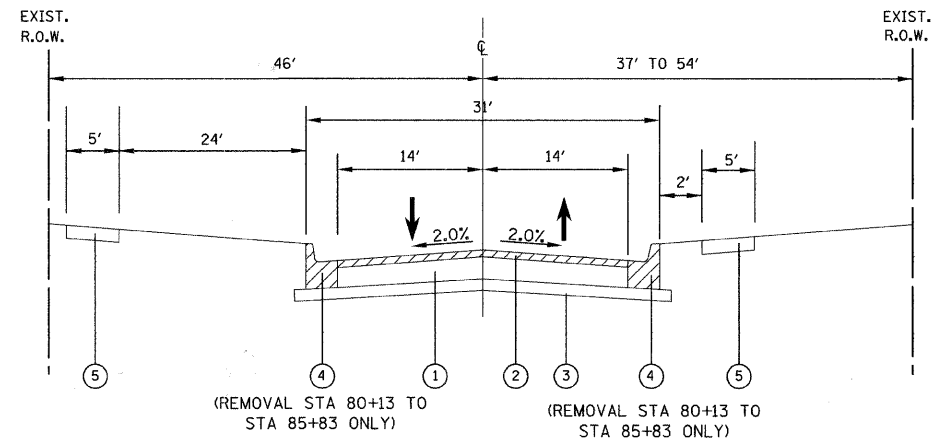
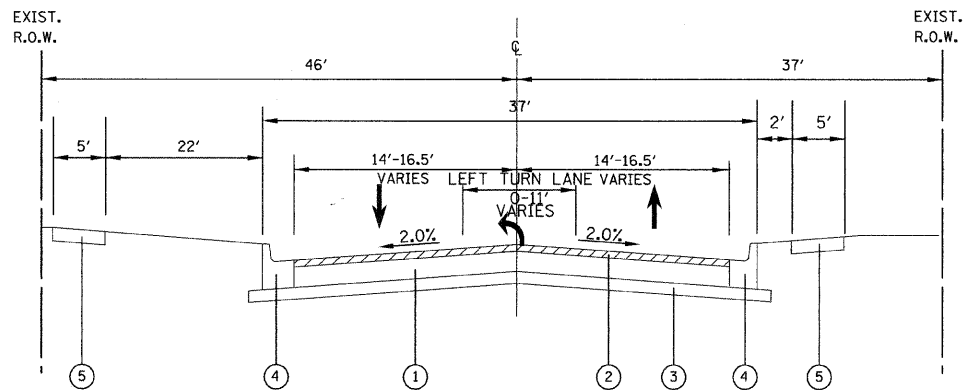


EXISTING TYPICAL SECTION
STA 50+34 - STA 65+64



EXISTING TYPICAL SECTION
STA 65+64 - STA 89+32



EXISTING TYPICAL SECTION
STA 89+32 - STA 95+69

- EXISTING LEGEND**
- ① HOT-MIX ASPHALT PAVEMENT, 12"
 - ② HOT MIX ASPHALT SURFACE REMOVAL, 2 1/4"
 - ③ AGGREGATE SUB-BASE (VARIES 7")
 - ④ COMBINATION CONCRETE CURB & GUTTER, TYPE B-6.12 (REMOVAL AS DIRECTED BY ENGINEER)
 - ⑤ PCC SIDEWALK (REMOVAL AS DIRECTED BY THE ENGINEER)
- ▨ REMOVAL

FILE NAME = n:\proj\3328\phase1\design\MiscSheets\TypicalSections\3328-TypSec.dgn	USER NAME = ogutowski	DESIGNED - EPS	REVISED -	VILLAGE OF DEERFIELD WILMOT ROAD (GORDON TERRACE TO DEERFIELD ROAD)	EXISTING TYPICAL SECTIONS	F.A.U. RTE. 2718	SECTION 07-00080-00-WR	COUNTY LAKE	TOTAL SHEETS 55	SHEET NO. 4
	PLOT SCALE = 1/8" = 1'-0"	DRAWN - AL	REVISED -			SCALE: N/A	SHEET NO. 4 OF 55 SHEETS	STA. TO STA.	CONTRACT NO. 63124	
	PLOT DATE = 1/30/2009	CHECKED - CLG	REVISED -			FED. ROAD DIST. NO. ILLINOIS FED. AID PROJECT				
		DATE - 1-30-2009	REVISED -							