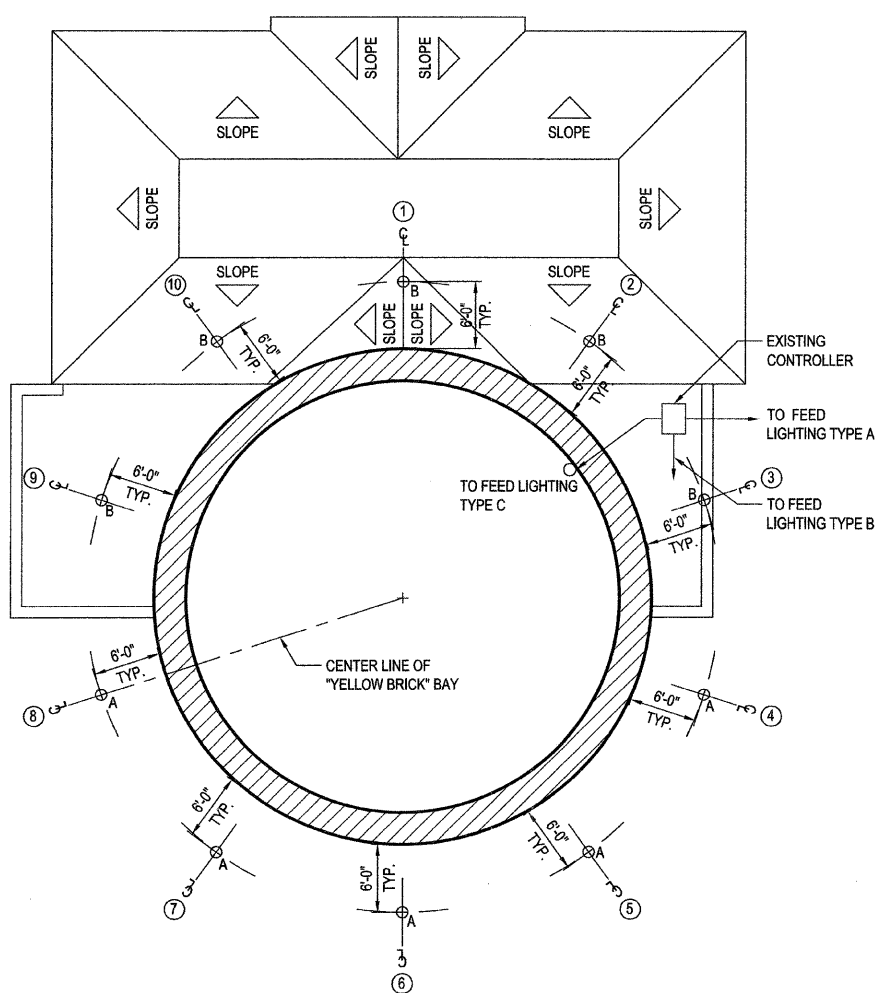
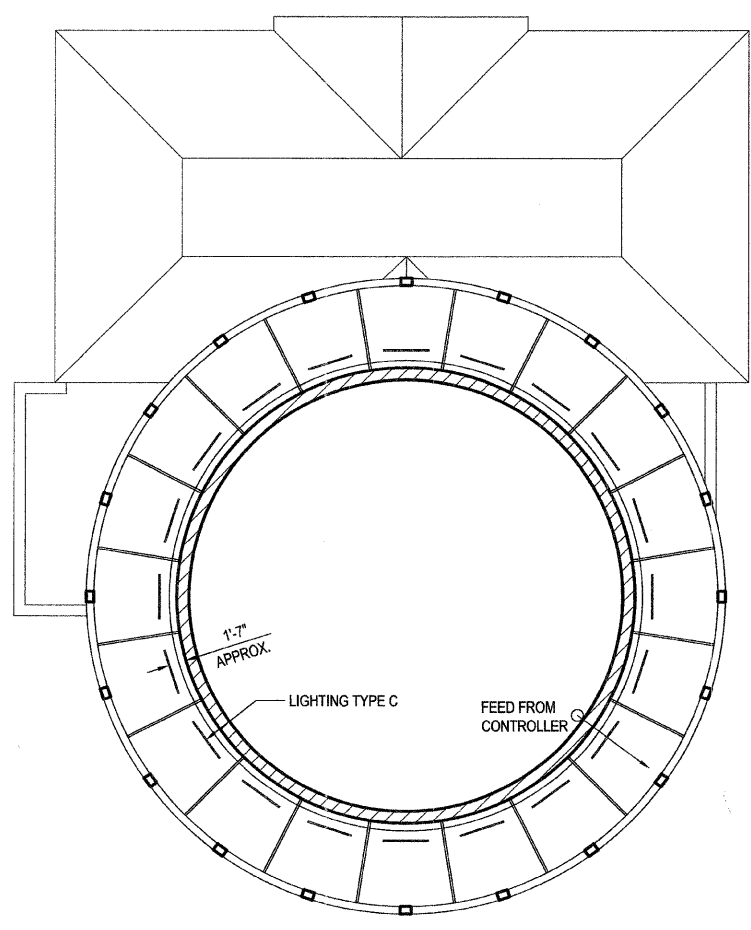


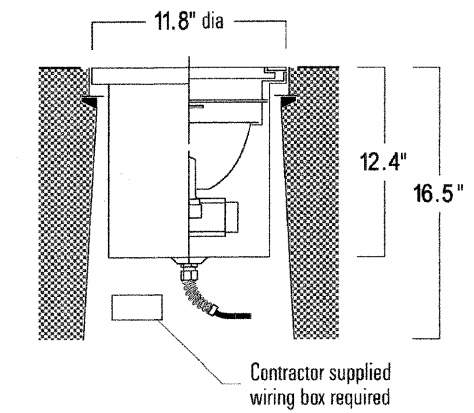
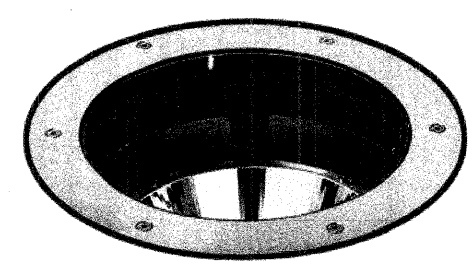
A-1.0



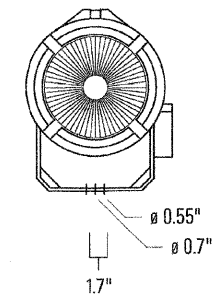
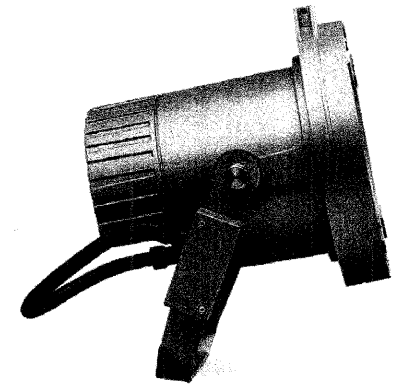
A1 FIRST FLOOR LIGHTING PLAN
SCALE: 1/8" = 1'-0"



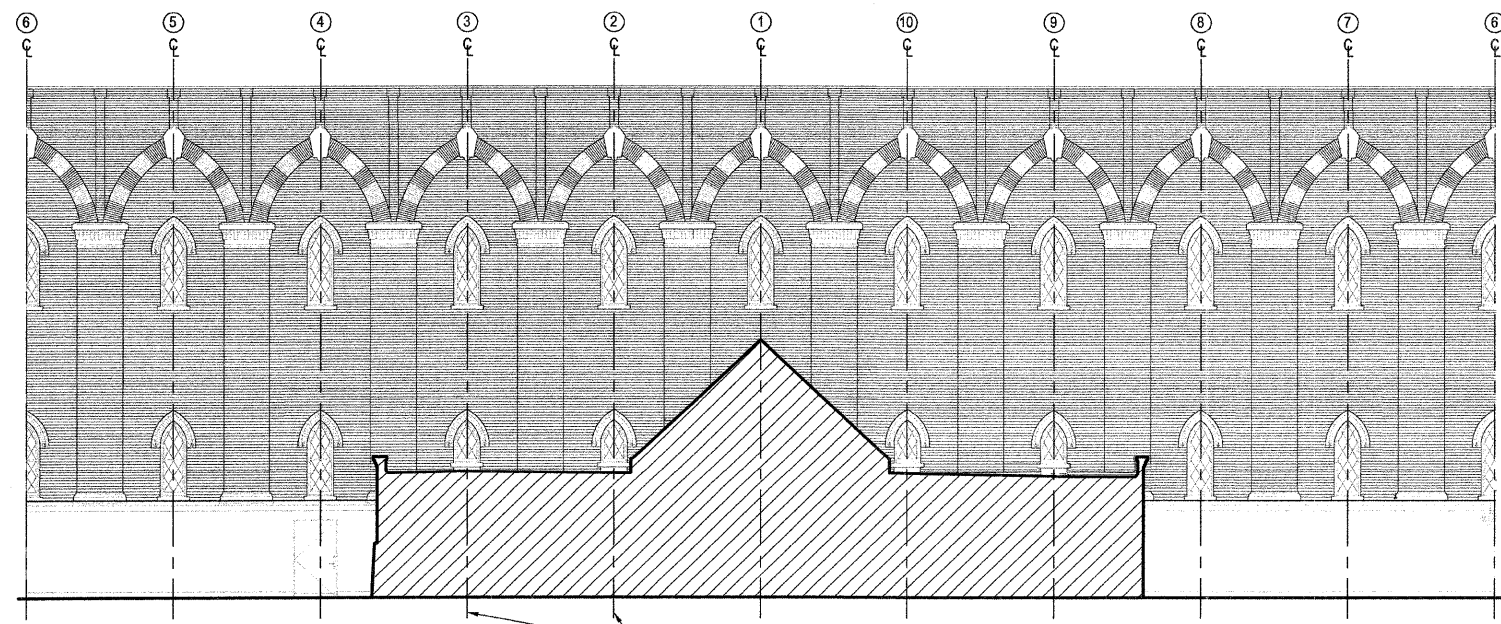
A2 BALCONY LIGHTING PLAN
SCALE: 1/4" = 1'-0"



A LIGHTING TYPE A
SCALE: NTS



B LIGHTING TYPE B
SCALE: NTS



A3 ELEVATION
SCALE: 1/8" = 1'-0"



C LIGHTING TYPE C
SCALE: NTS

GENERAL NOTES:

- ALL LIGHTING FIXTURES TO BE INSTALLED BY MANUFACTURER'S SPECIAL PROVISIONS AND INSTALLATION INSTRUCTIONS
- IN-GROUND FIXTURES TO BE INSTALLED AND POSITIONED EXACTLY AS SHOWN ON THE PLAN (FOR LIGHTING ACCURACY & UNIFORMITY)

BILL OF MATERIALS			
LIGHT FIXTURE SCHEDULE			
LIGHT	QUANTITY	TYPE	PRODUCT
A	5	GROUND	WE-EF ARCHITECTURAL LIGHTING INGROUND UPLIGHT - ETC140 [VN]
B	5	ROOF	WE-EF ARCHITECTURAL LIGHTING FLOODLIGHT/SYMETRIC - FLC250 [VN]
C	20	48" LED	ILLUM/VISION HILGHLITE NEUTRAL HL-4-W41

DLK
Civic Design
The Fine Arts Building
410 South Michigan Avenue
Chicago, Illinois 60605
Tel. 312.322.0911
Fax 312.322.5324
www.dlkinc.com

REVISIONS	
NAME	DATE

ILLINOIS DEPARTMENT OF TRANSPORTATION
FAU ROUTES 1472 & 3569
VILLAGE OF RIVERSIDE
RAILWAY/WATER TOWER CAMPUS RESTORATION PROJECT

ARCHITECTURAL LIGHTING LAYOUT

SCALE: 1/8" = 1'-0"
DATE: 12-05-2008

DRAWN BY: EB
CHECKED BY: AT