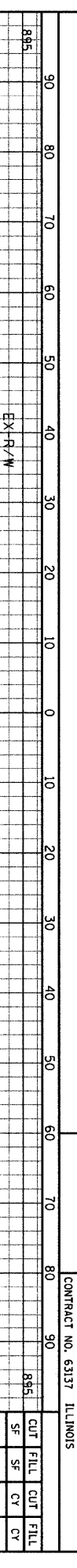
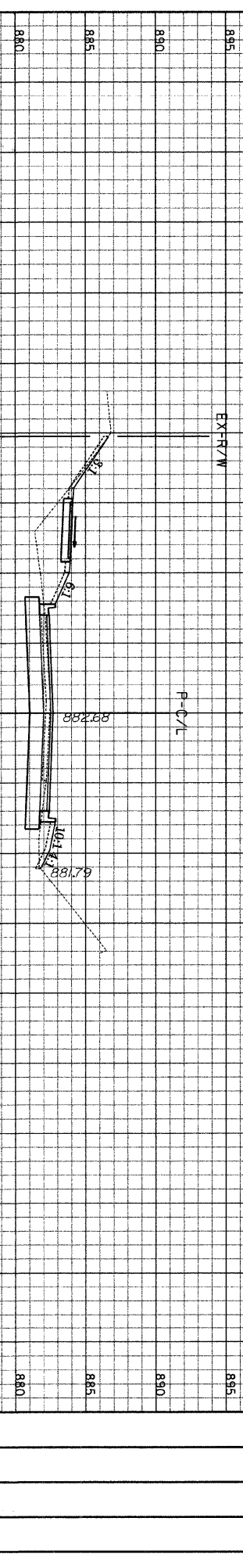


FILED	SECTION	COUNTY	TOTAL SHEETS	SHEET NO.
01	07-00072-00-04W	MONROE	80	50

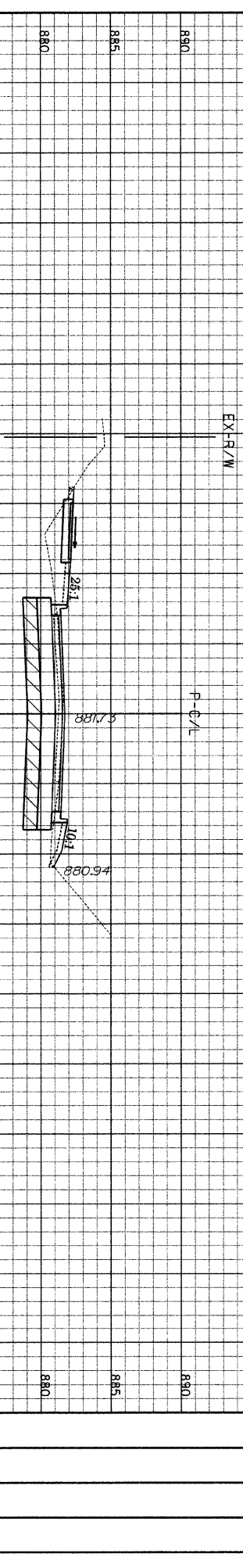
CONTRACT NO. 63137 ILLINOIS  
 STA. 629+50.00 TO STA. 631+50.00



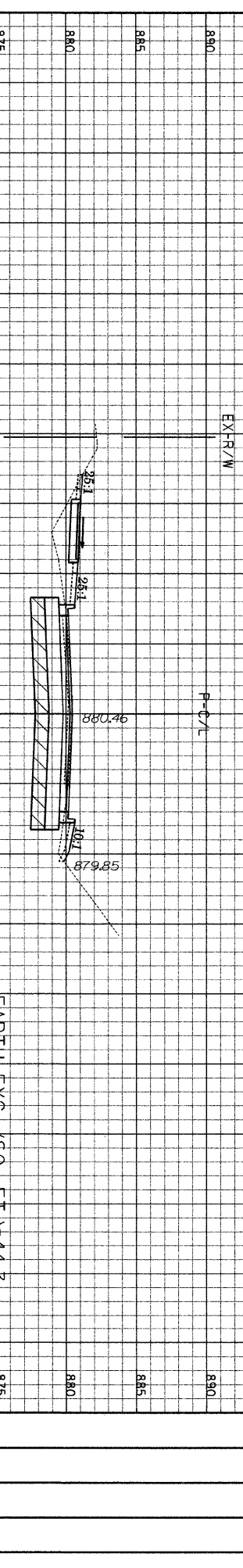
EARTH EXC. (SQ. FT.)=39.7  
 UNSUITABLE EXC. (SQ. FT.)=9  
 EMBANKMENT (SQ. FT.)=20.5  
 P.G.E. (SQ. FT.)=0



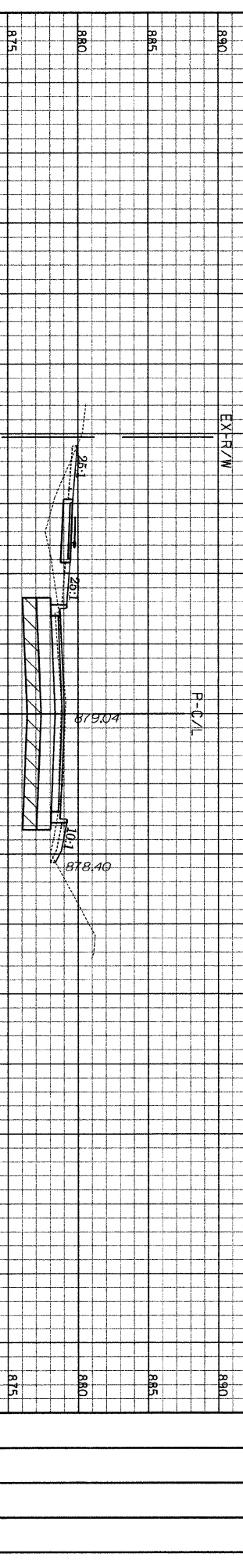
EARTH EXC. (SQ. FT.)=42.1  
 UNSUITABLE EXC. (SQ. FT.)=9  
 EMBANKMENT (SQ. FT.)=26.4  
 P.G.E. (SQ. FT.)=0



EARTH EXC. (SQ. FT.)=40.5  
 UNSUITABLE EXC. (SQ. FT.)=42  
 EMBANKMENT (SQ. FT.)=23.2  
 P.G.E. (SQ. FT.)=33



EARTH EXC. (SQ. FT.)=44.3  
 UNSUITABLE EXC. (SQ. FT.)=42  
 EMBANKMENT (SQ. FT.)=23.4  
 P.G.E. (SQ. FT.)=33



EARTH EXC. (SQ. FT.)=47.5  
 UNSUITABLE EXC. (SQ. FT.)=42  
 EMBANKMENT (SQ. FT.)=25.7  
 P.G.E. (SQ. FT.)=33

**ANNA T. SCHUEER & ASSOCIATES, INC.**  
 CONSULTING ENGINEERS AND LAND SURVEYORS  
 8501 W. Higgins Road, Suite 280  
 Chicago, Illinois 60631

Hanson Road	Hor. Scale: 1" = 10'
Edgewood to Huntington	Vert. Scale: 1" = 5'