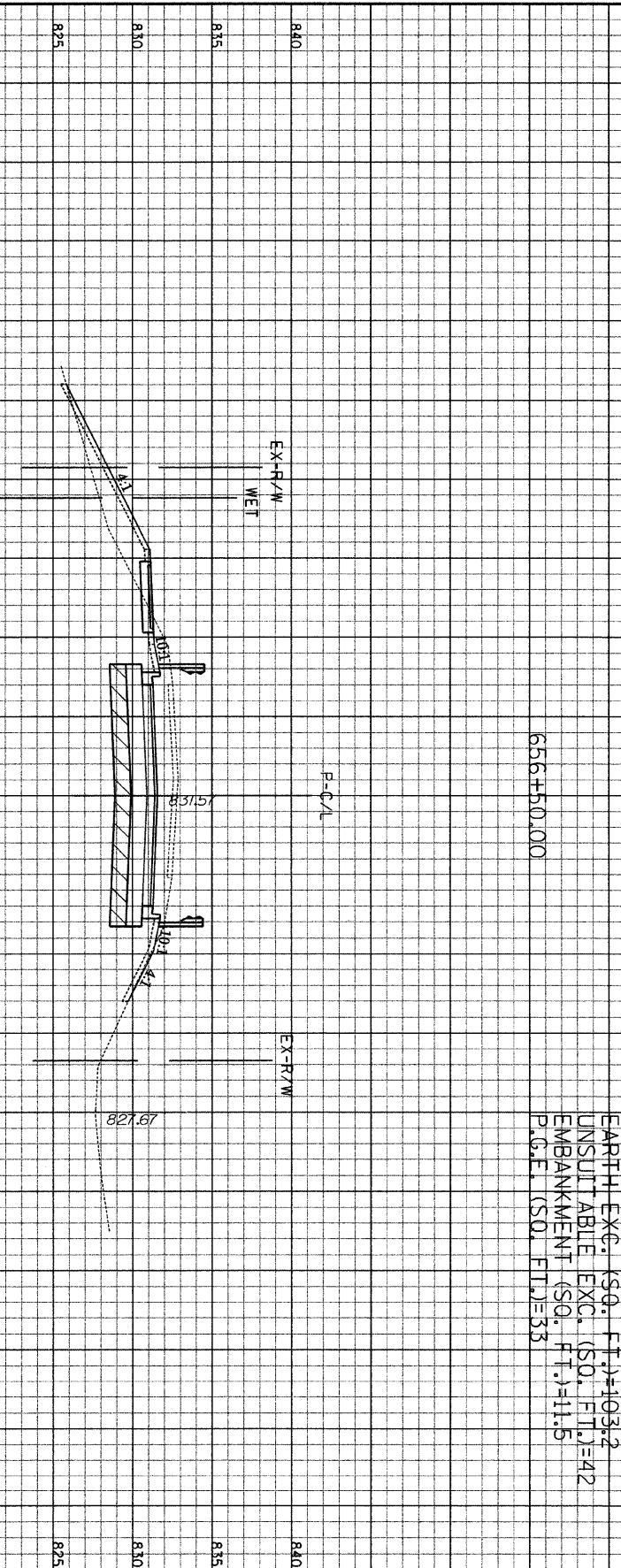
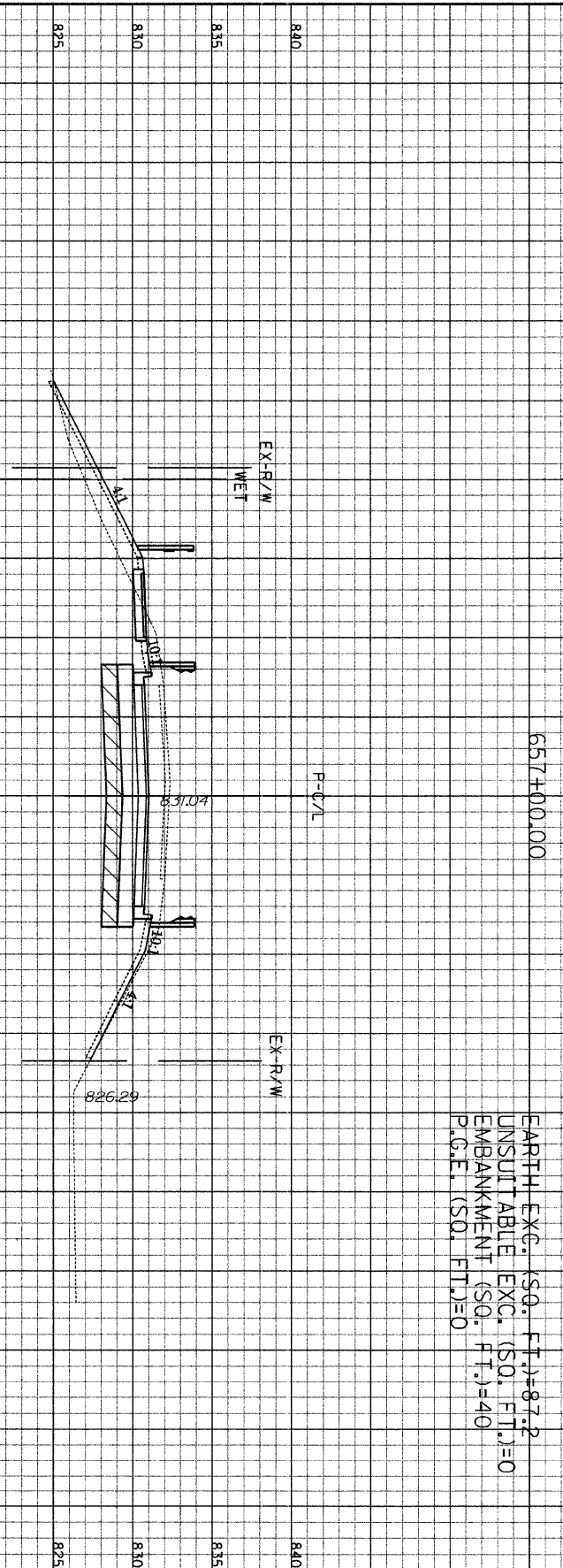
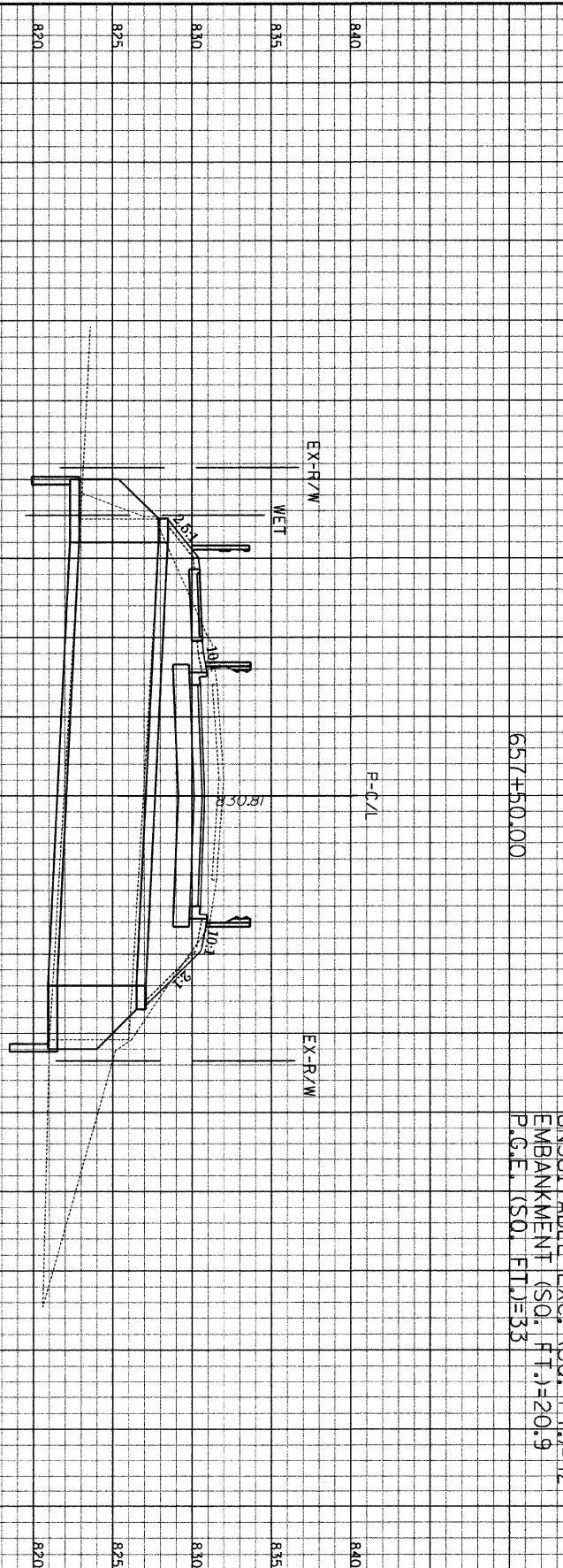
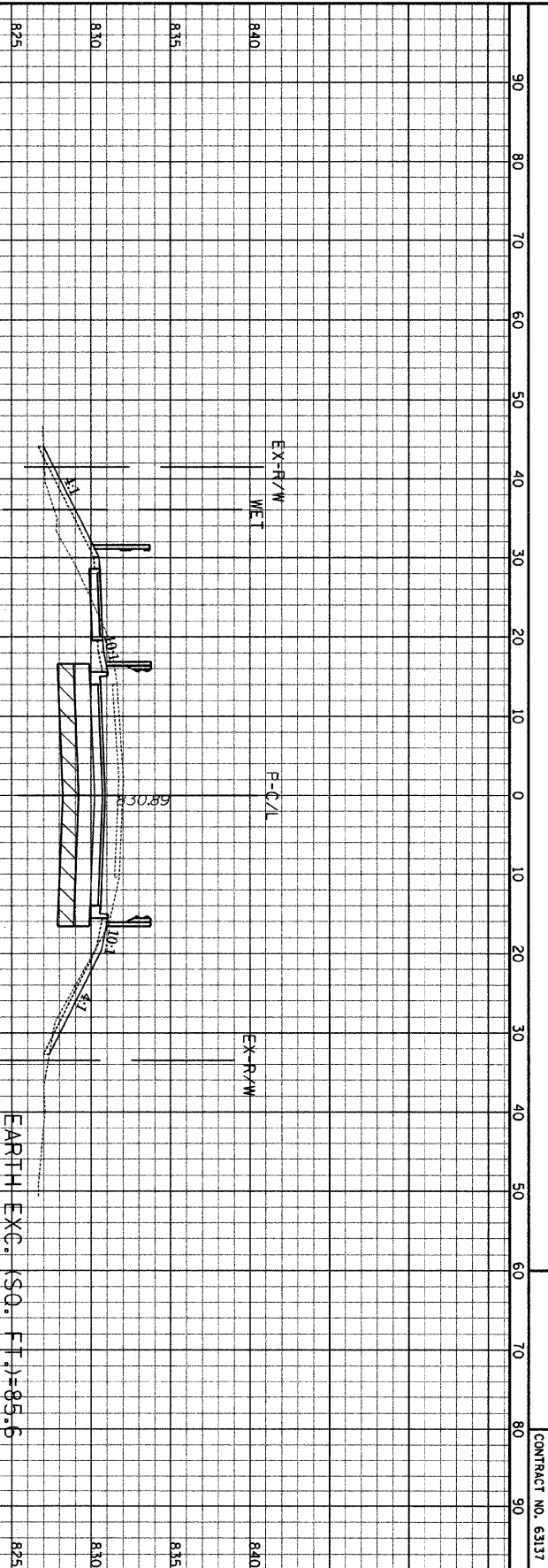


FILE	SECTION	COUNTY	TOTAL	SHEET
REFL			SHEETS	NO.
4011	07-00072-00-PV	MONROE	80	62
CONTRACT NO. 63137 ILLINOIS		TO STA. 657+50.00		

CUT	FILL	CUT	FILL
SF	SF	CY	CY



GRIFF, ANALL, I., SOLOMON & ASSOCIATES, INC.
 CONSULTING ENGINEERS AND LAND SURVEYORS
 8501 W. Higgins Road, Suite 280
 Chicago, IL 60631
 Phone: (773) 398-0112

Hanson Road
Edgewood to Huntington
 Hor. Scale: 1" = 10'
 Vert. Scale: 1" = 5'