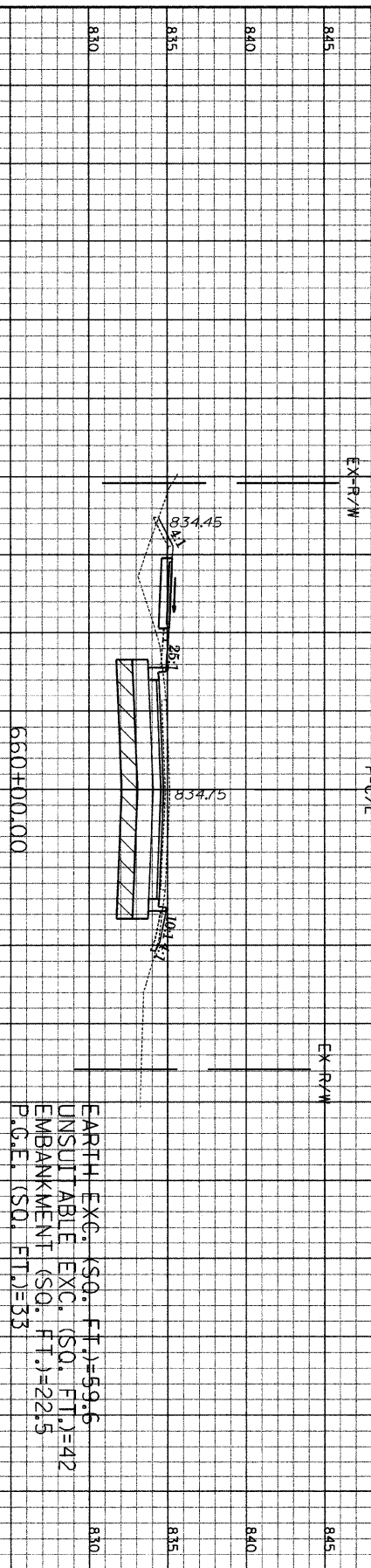
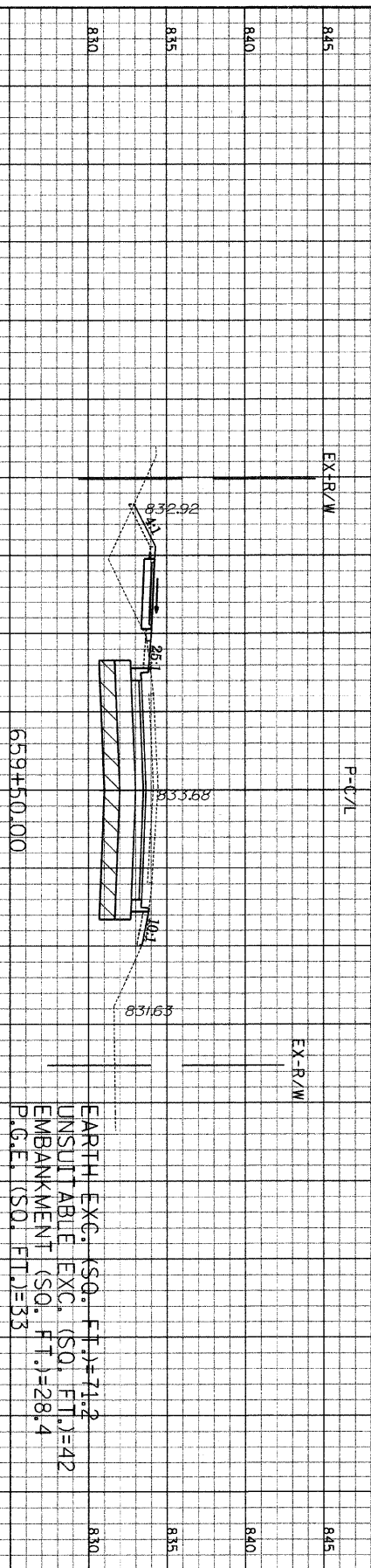


PLAN AREA	SECTION	COUNTY	TOTAL SHEETS	SHEET NO.
401	07-00075-00-2V	MEMPHIS	80	63
CONTRACT NO. 6317 ILLINOIS				
STA. 658+00.00 TO STA. 660+00.00				

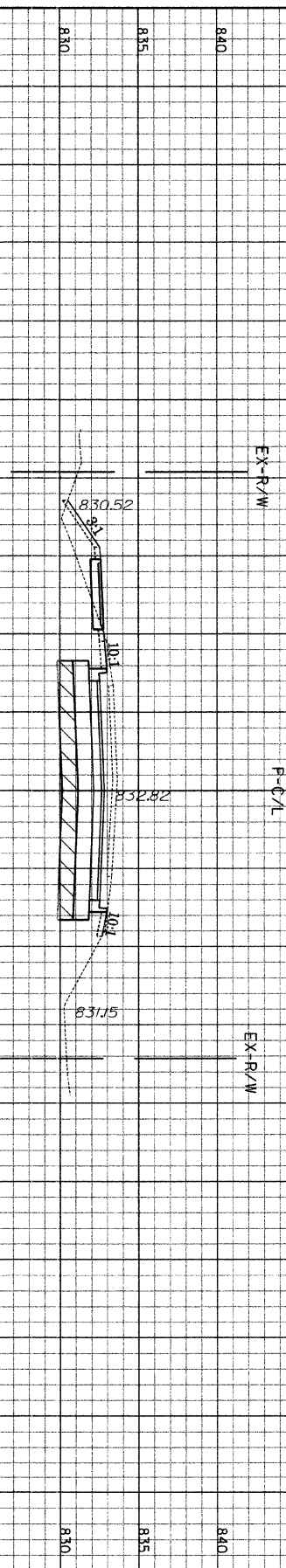
90	80	70	60	50	40	30	20	10	0	10	20	30	40	50	60	70	80	90
----	----	----	----	----	----	----	----	----	---	----	----	----	----	----	----	----	----	----



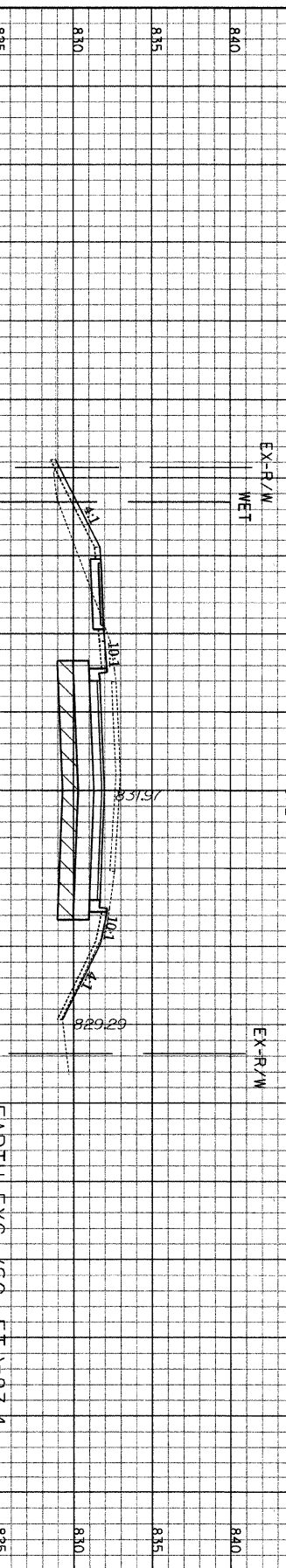
EARTH EXC. (SQ. FT.)=59.6
 UNSUITABLE EXC. (SQ. FT.)=42
 EMBANKMENT (SQ. FT.)=22.5
 P.C.E. (SQ. FT.)=33



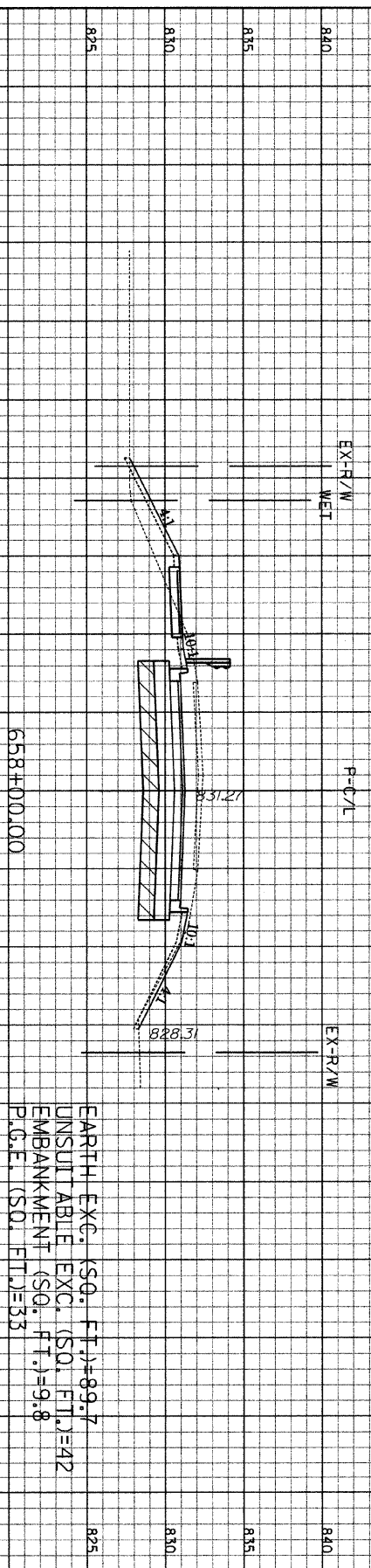
EARTH EXC. (SQ. FT.)=71.2
 UNSUITABLE EXC. (SQ. FT.)=42
 EMBANKMENT (SQ. FT.)=28.4
 P.C.E. (SQ. FT.)=33



EARTH EXC. (SQ. FT.)=74.4
 UNSUITABLE EXC. (SQ. FT.)=42
 EMBANKMENT (SQ. FT.)=16.8
 P.C.E. (SQ. FT.)=33



EARTH EXC. (SQ. FT.)=87.4
 UNSUITABLE EXC. (SQ. FT.)=42
 EMBANKMENT (SQ. FT.)=11.5
 P.C.E. (SQ. FT.)=33



EARTH EXC. (SQ. FT.)=89.7
 UNSUITABLE EXC. (SQ. FT.)=42
 EMBANKMENT (SQ. FT.)=9.8
 P.C.E. (SQ. FT.)=33

GRAPH: ANHAI T. SCHUMER & ASSOCIATES, INC.
 CONSULTING ENGINEERS AND LAND SURVEYORS
 8501 N. Higgins Road, Suite 280
 Chicago, IL 60631
 312-999-9116

Edgewood to Huntington

Hor. Scale: 1" = 10'
 Vert. Scale: 1" = 5'