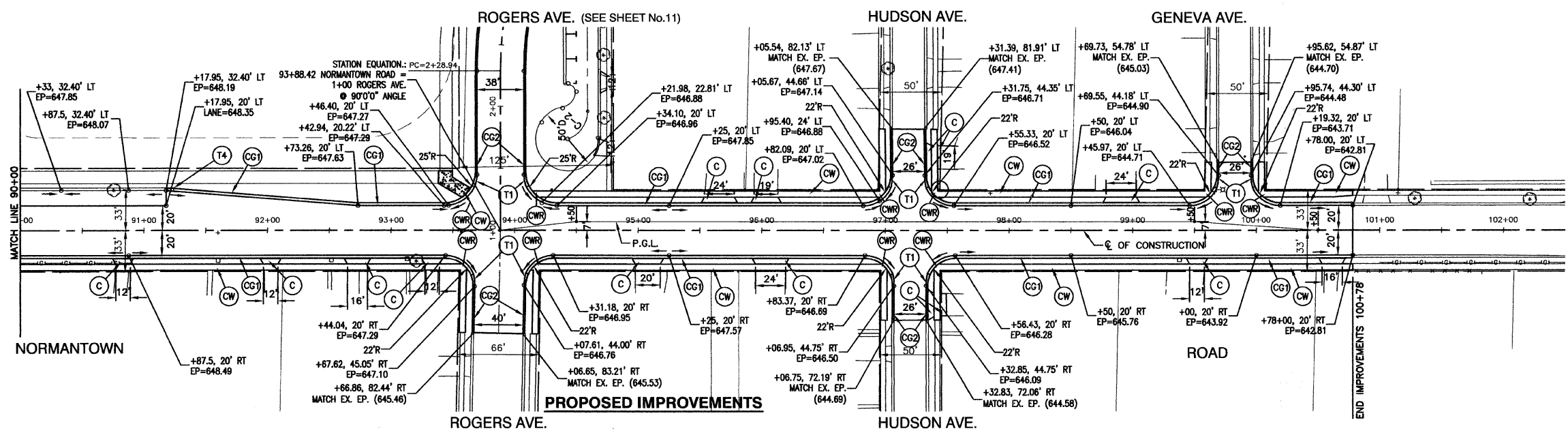
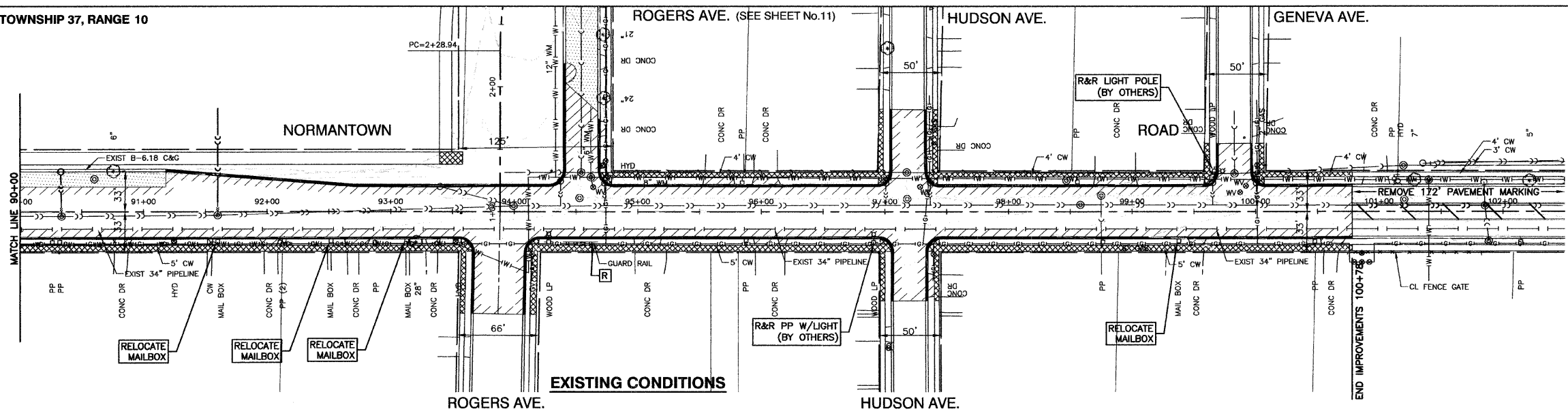


F. A. U. NO.	SECTION	COUNTY	TOTAL SHEETS	SHEET NO.
0281	07-00050-00-PP	WILL	33	11
STA.		TO STA.		
FED. ROAD DIST. NO. 1		ILLINOIS	FED. AID PROJECT	

CONTRACT #63157

LEGEND

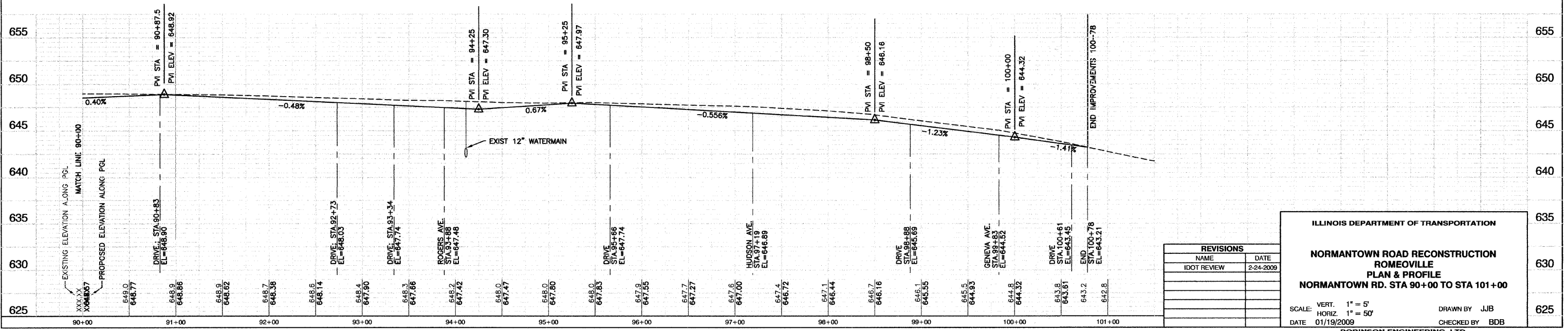
- TREE TO BE REMOVED
- CONC CURB AND GUTTER REMOVAL
- PAVEMENT REMOVAL
- HMA SURFACE REMOVAL, 2"
- CONC SIDEWALK REMOVAL
- REMOVE
- REMOVE & RELOCATE
- P.C.C. DRIVEWAY, 6"
- P.C.C. SIDEWALK, 5"
- P.C.C. SIDEWALK RAMP W/ DETECTABLE WARNING
- C & G TYPE B-6.24
- C & G TYPE B-6.12
- C & G TYPE B-6.18
- TRANSITION FROM C & G TYPE B-6.24 TO C & G TYPE B-6.12
- TRANSITION FROM C & G TYPE B-6.24 TO EXISTING CURB AND GUTTER
- TRANSITION FROM C & G TYPE B-6.12 TO EXISTING CURB AND GUTTER
- TRANSITION FROM C & G TYPE B-6.24 TO C & G TYPE B-6.18



BENCHMARKS:

BENCHMARK #5
ARROW ON HYDRANT FLANGE AT N.E. CORNER ROGERS ROAD AND NORMANTOWN ROAD
ELEVATION= 649.91

BENCHMARK #7
ARROW ON HYDRANT FLANGE OF 1ST HYDRANT EAST OF GENEVA AVENUE, NORTH SIDE OF NORMANTOWN ROAD
ELEVATION= 649.60



REVISIONS		
NAME	DATE	
IDOT REVIEW	2-24-2009	

ILLINOIS DEPARTMENT OF TRANSPORTATION

**NORMANTOWN ROAD RECONSTRUCTION
ROMEOVILLE
PLAN & PROFILE
NORMANTOWN RD. STA 90+00 TO STA 101+00**

SCALE: VERT. 1" = 5'
HORIZ. 1" = 50'

DATE: 01/19/2009

DRAWN BY: JJB
CHECKED BY: BDB