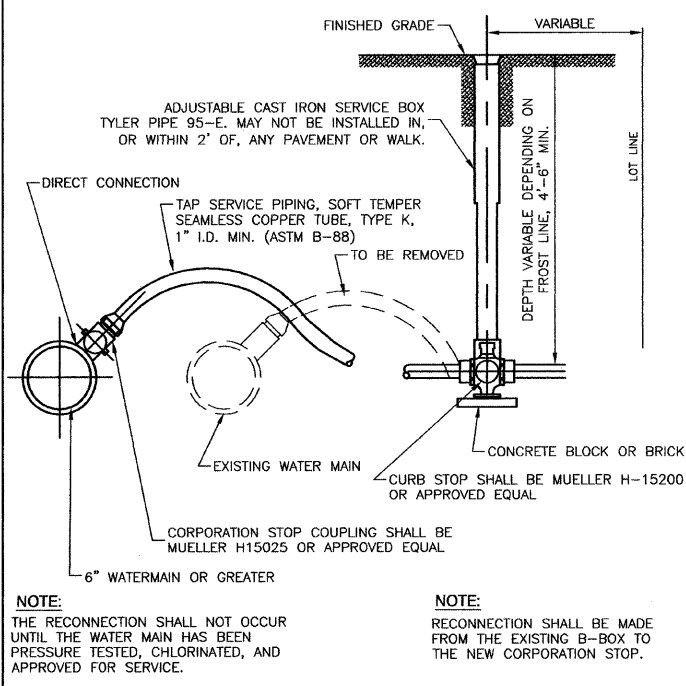
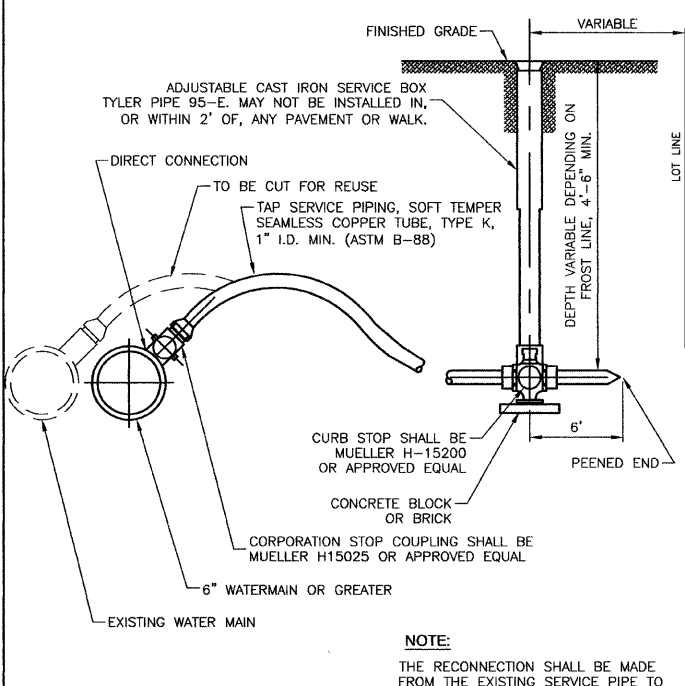


F. A. U. REL.	SECTION	COUNTY	TOTAL SHEETS	SHEET NO.
0281	07-00050-00-FP	WILL	33	28
STA.	TO STA.			
FED. ROAD DIST. NO. 1	ILLINOIS	FED. AID PROJECT		

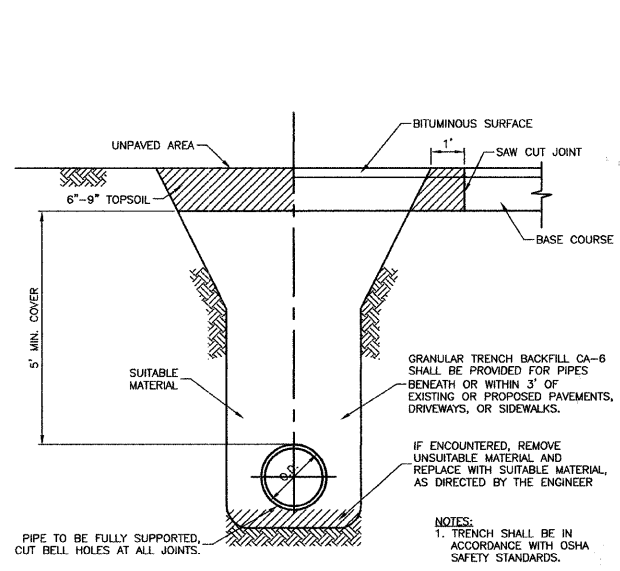
CONTRACT #63157



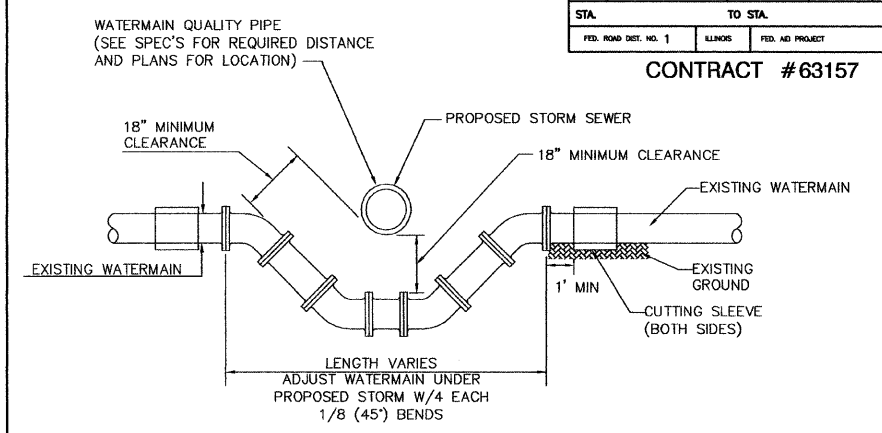
SHORT SIDE
TYPICAL WATER SERVICE RECONNECTION



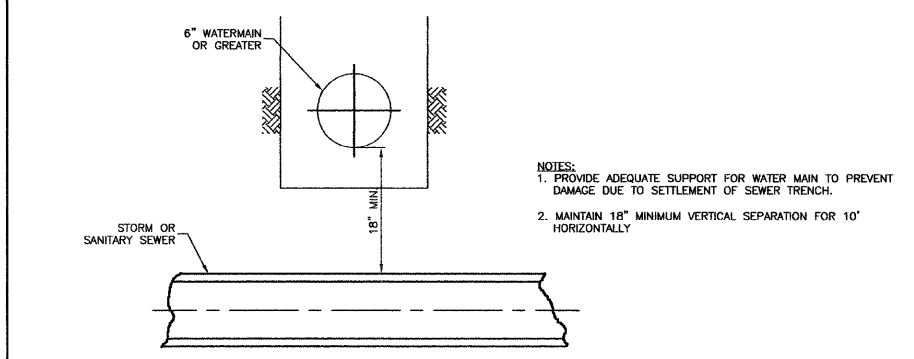
LONG SIDE
TYPICAL WATER SERVICE RECONNECTION



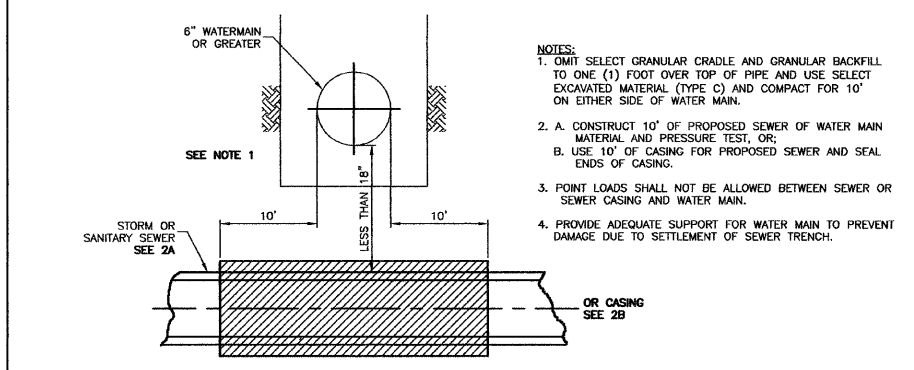
TRENCH BACKFILL DETAIL FOR WATERMAIN



WATERMAIN ADJUSTMENT UNDER PROPOSED STORM SEWER



PROPOSED SEWER LINE BELOW EXISTING WATER MAIN WITH 18" MINIMUM SEPARATION



PROPOSED SEWER LINE BELOW EXISTING WATER MAIN WITH LESS THAN 18" MINIMUM SEPARATION

NOTE: TYPE C MATERIAL TO BE COMPACTED TO 90% OF MODIFIED PROCTOR MAXIMUM DENSITY

WATER AND SEWER SEPARATION REQUIREMENTS

REVISIONS	
NAME	DATE

ILLINOIS DEPARTMENT OF TRANSPORTATION

NORMANTOWN ROAD RECONSTRUCTION
ROMEOWILLE
CONSTRUCTION DETAILS

SCALE: VERT. N/A
HORIZ. N/A
DATE 01/19/2009
DRAWN BY JJB
CHECKED BY BDB