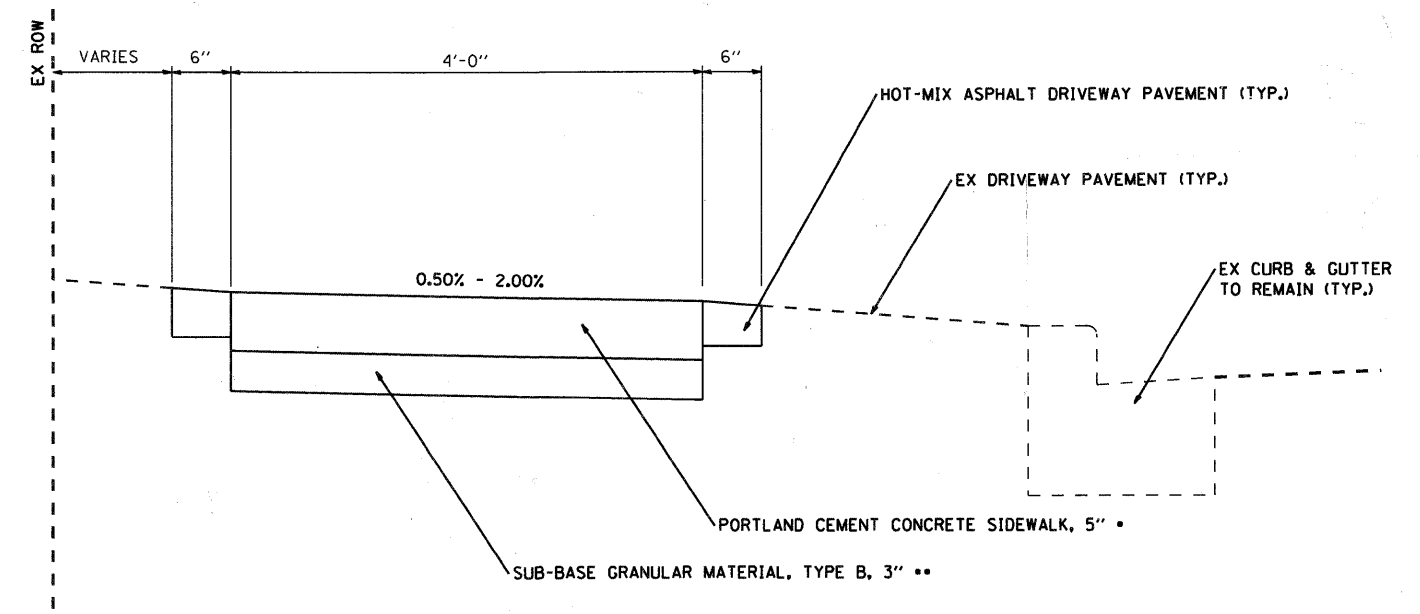


- PC CONC SIDEWALK TO BE 6" THICK ACROSS ALL DRIVEWAYS
- INCLUDED IN THE COST OF PORTLAND CEMENT CONCRETE SIDEWALK, 5 INCHES

PORTLAND CEMENT CONCRETE SIDEWALK



- PC CONC SIDEWALK TO BE 6" THICK ACROSS ALL DRIVEWAYS
- INCLUDED IN THE COST OF PORTLAND CEMENT CONCRETE SIDEWALK, 5 INCHES

PORTLAND CEMENT CONCRETE SIDEWALK AT DRIVEWAYS

HOT-MIX ASPHALT MIXTURE REQUIREMENTS

| MIXTURE TYPE | AC TYPE | VOIDS |
|---|----------|--------------|
| DRIVEWAYS | | |
| HOT-MIX ASPHALT SURFACE COURSE, MIX "C", N50, 2" (IL 9.5mm) | PG 64-22 | 4% @ 50 GYR. |

THE UNIT WEIGHT USED TO CALCULATE ALL HOT-MIX ASPHALT SURFACE MIXTURES IS 112 LBS/ SQ YD



| | | |
|-----------------------|----------------|-----------|
| USER NAME = jstrzelko | DESIGNED - JJS | REVISED - |
| PLOT SCALE = 1:20 | DRAWN - JJS | REVISED - |
| PLOT DATE = 4/1/2009 | CHECKED - JLP | REVISED - |
| | DATE - 4/1/09 | REVISED - |

VILLAGE OF MUNDELEIN

PROPOSED TYPICAL SECTIONS

| | | | |
|-------------|-------------------------|---------|------------|
| SCALE: 1:20 | SHEET NO. 1 OF 1 SHEETS | STA. NA | TO STA. NA |
|-------------|-------------------------|---------|------------|

| F.A. RTE. | SECTION | COUNTY | TOTAL SHEETS | SHEET NO. |
|---|----------------|--------|--------------|-----------|
| | 08-00086-00-SW | LAKE | 40 | 4 |
| CONTRACT NO. 63166 | | | | |
| FED. ROAD DIST. NO. ILLINOIS FED. AID PROJECT | | | | |