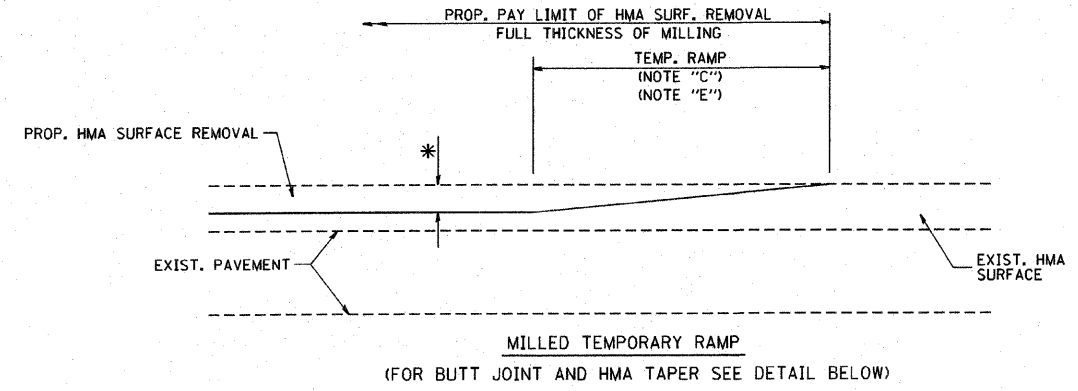
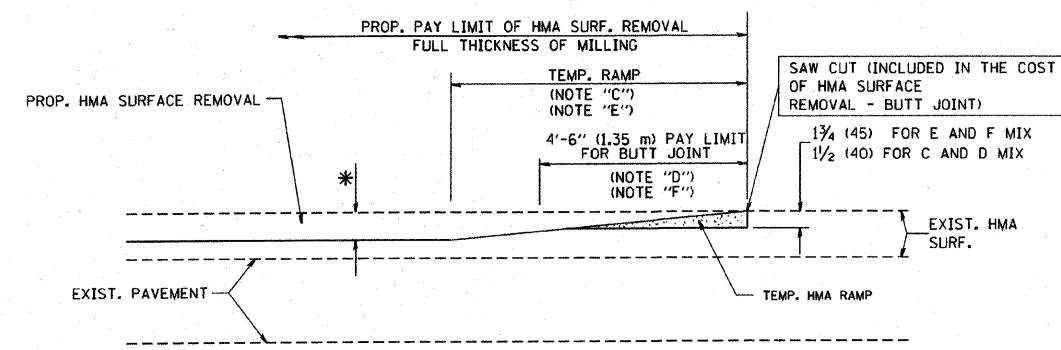


FAU RTE	SECTION	COUNTY	TOTAL SHEETS	SHEET NO.
FAU 2916	08-00041-00-RS	COOK	14	14
F.H.W.A. REG.	ILLINOIS PROJECT	M-8003(981)		

CONTRACT NO. 63174

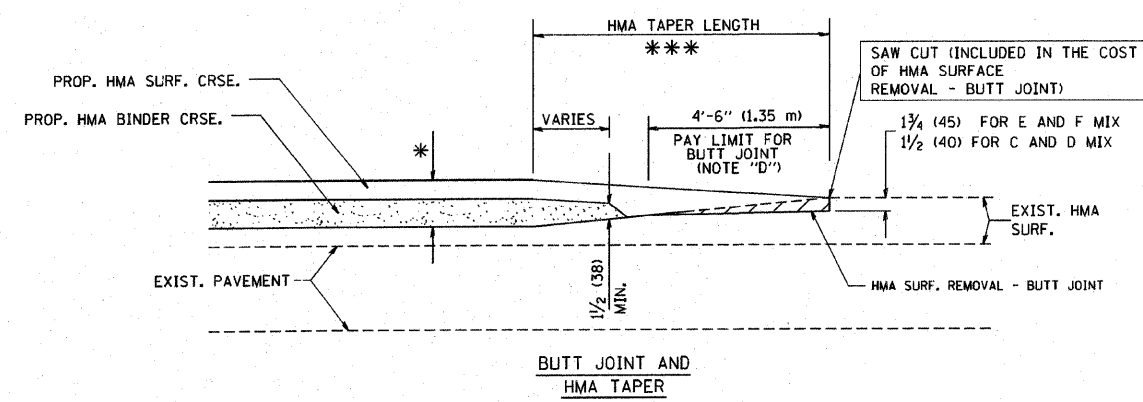


OPTION 1

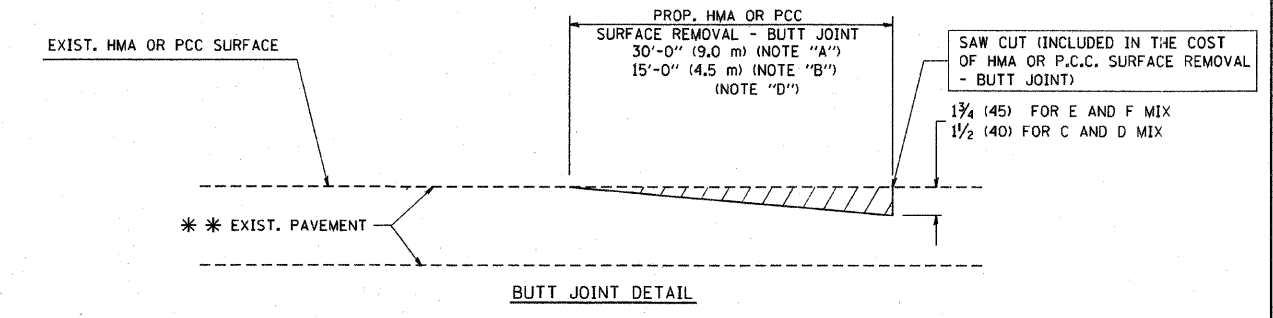


OPTION 2

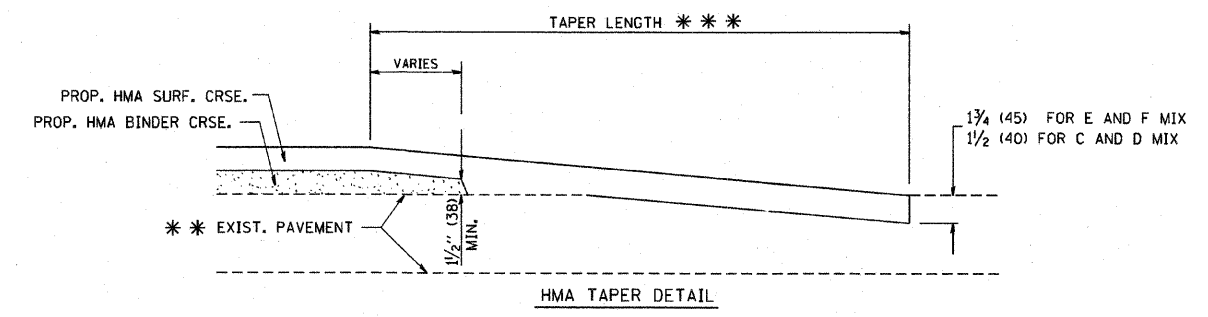
TYPICAL TEMPORARY RAMP



TYPICAL BUTT JOINT AND HMA TAPER FOR MILLING AND RESURFACING



BUTT JOINT DETAIL



HMA TAPER DETAIL

TYPICAL BUTT JOINT AND HMA TAPER FOR RESURFACING ONLY

*** PC CONCRETE, HMA OR HMA RESURFACED PAVEMENT.

NOTES

- A: MAINLINE ROADWAYS AND MAJOR SIDE ROADS.
- B: MINOR SIDE ROADS.
- C: THE TEMP. RAMP SHALL BE CONSTRUCTED IMMEDIATELY UPON REMOVAL OF THE EXISTING HMA SURFACE.
- D: THE BUTT JOINT SHALL BE CONSTRUCTED IMMEDIATELY PRIOR TO PLACING THE PROPOSED HMA COURSES.
- E: TAPER THE TEMP. RAMP AT A RATE OF 3'-0" (900 mm) PER 1 INCH (25 mm) OF MILLING THICKNESS.
- F: INSTALLATION AND REMOVAL OF THE 4'-6" (1.35 m) TEMP. RAMP IS INCLUDED IN COST OF HMA SURFACE REMOVAL - BUTT JOINT
- G: SEE ARTICLE 406.08 AND 406.14 OF THE STANDARD SPECIFICATIONS FOR 'HMA AND/OR PCC SURFACE REMOVAL, BUTT JOINT'.
- * SEE TYPICAL SECTIONS FOR MILLING THICKNESS.
- *** 20'-0" (6.1 m) PER 1 (25) RESURFACING (NOTE "A")
10'-0" (3.0 m) PER 1 (25) RESURFACING (NOTE "B")

ALL DIMENSIONS ARE IN INCHES (MILLIMETERS) UNLESS OTHERWISE SHOWN.

BASIS OF PAYMENT:

THE BUTT JOINT WILL BE PAID FOR AT THE CONTRACT UNIT PRICE PER SQUARE YARD (SQUARE METER) FOR "HOT-MIX ASPHALT SURFACE REMOVAL - BUTT JOINT" OR FOR "PORTLAND CEMENT CONCRETE SURFACE REMOVAL - BUTT JOINT".

REVISIONS	
NAME	DATE
M. DE YONG	6-13-90
M. DE YONG	7-3-90
M. DE YONG	3-27-92
R. SHAH	09/09/94
R. SHAH	10/25/94
A. ABBAS	03/21/97
M. GOMEZ	04/06/01
R. BORO	01/01/07

ILLINOIS DEPARTMENT OF TRANSPORTATION

BUTT JOINT AND HMA TAPER DETAILS

SCALE: VERT. NONE
HORIZ.

DRAWN BY
CHECKED BY
BD400-05 (V1-BD32)

PLOT DATE = 3/4/2007
FILE NAME = K:\Users\bn432.dgn
PLOT SCALE = 80.0000 / IN.
USER NAME = bward

REVISIONS			
NO.	BY	DATE	DESCRIPTION

BUTT JOINT AND HMA TAPER DETAILS

PROJECT NO. 07434	SCALE NONE	SHEET 14
DRAWN/DESIGNED JEP/THK	DATE FEB., 2009	OF 14
CHECKED/APPROVED JFP/JLC	FIELD BOOK NO. FILE	SHEETS