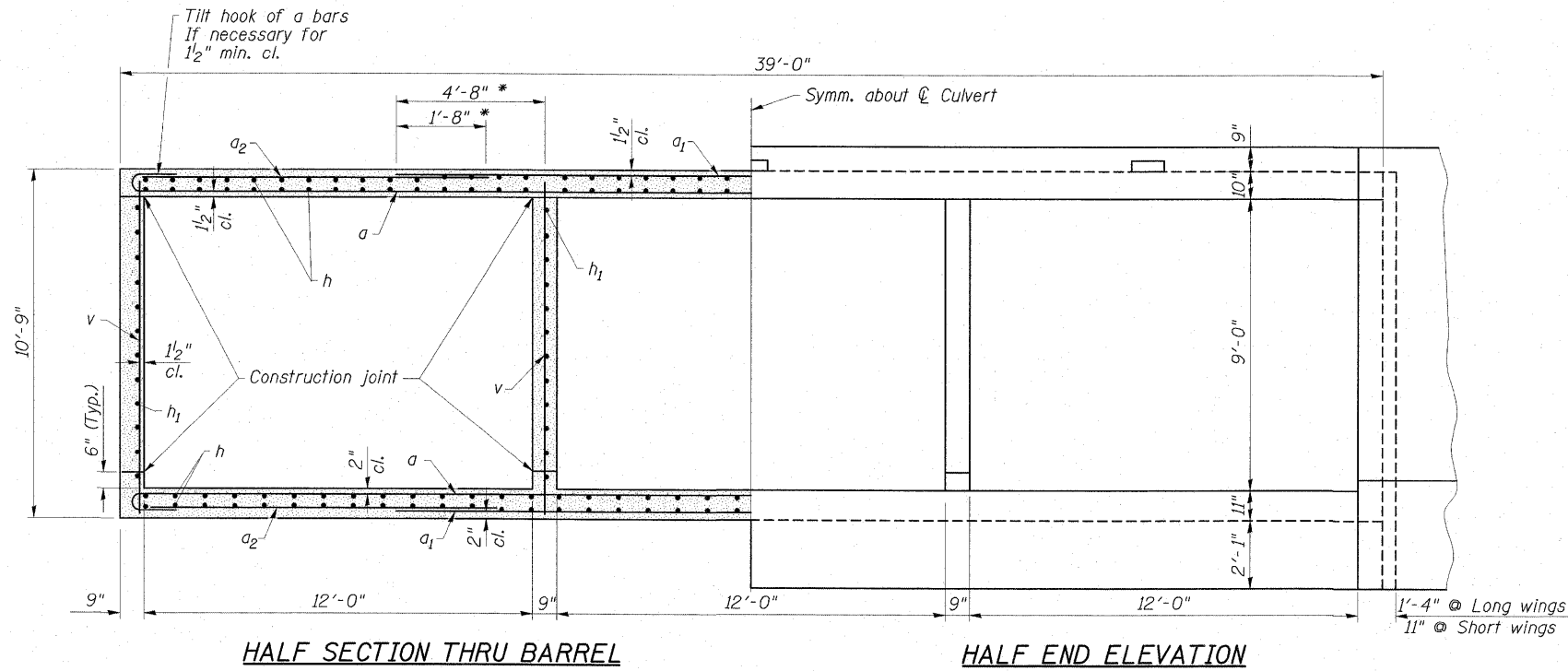


STATE OF ILLINOIS
DEPARTMENT OF TRANSPORTATION



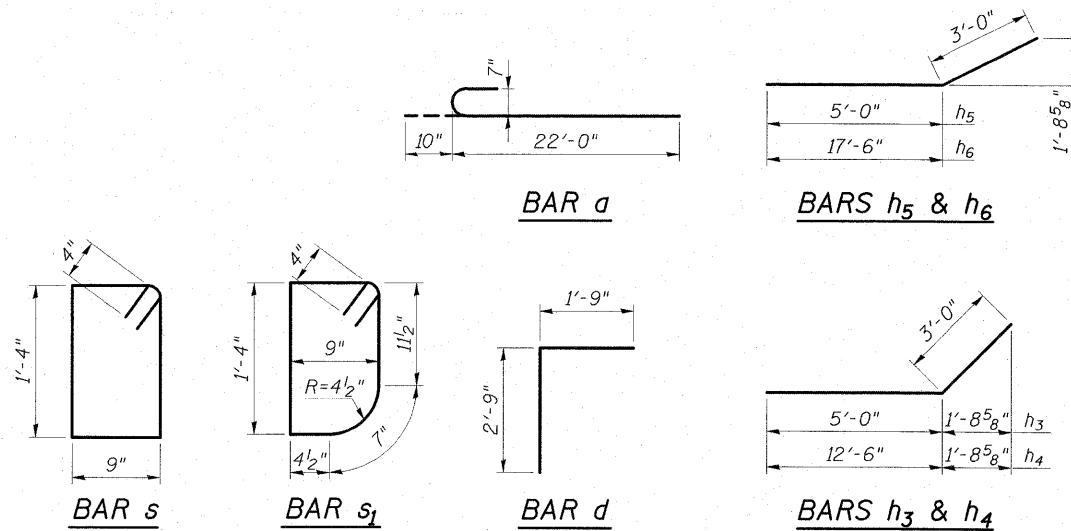
BILL OF MATERIAL

Bar	No.	Size	Length	Shape
a	352	#7	22'-10"	
a1	200	#7	23'-1"	
a2	168	#5	10'-9"	
d	76	#4	4'-6"	
h	272	#5	30'-6"	
h1	104	#5	30'-7"	
h2	36	#6	21'-8"	
h3	52	#7	8'-0"	
h4	36	#7	15'-6"	
h5	38	#9	8'-0"	
h6	26	#9	20'-6"	
s	41	#4	4'-10"	
s1	41	#4	4'-8"	
v	328	#5	10'-5"	
v1	16	#5	12'-7"	
Concrete Box Culverts			Cu. Yd.	254.9
Reinforcement Bars			Pound	49,990

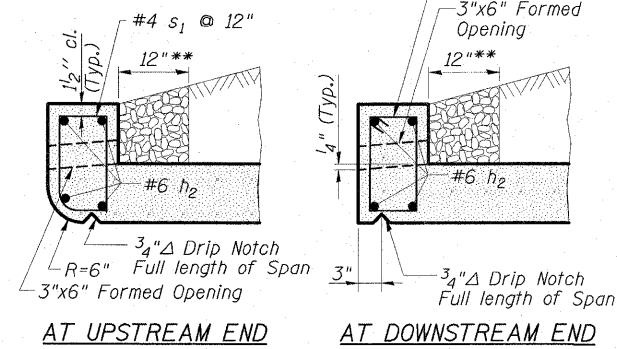
MIN. BAR LAP

- #5 _____ 1'-8"
- #6 _____ 2'-0"
- #7 _____ 2'-9"

* Dimensions noted thus are parallel to C Roadway

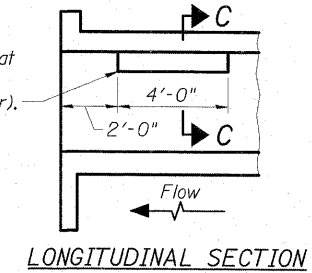


** Coarse aggregate full length of both headwalls. To be placed by Grading Contractor. Cost included with Concrete Box Culverts.

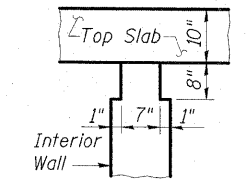


DRAIN DETAILS

Notch formed by rough-finished board attached to and removed with formwork at interior wall. (Do not chamfer).

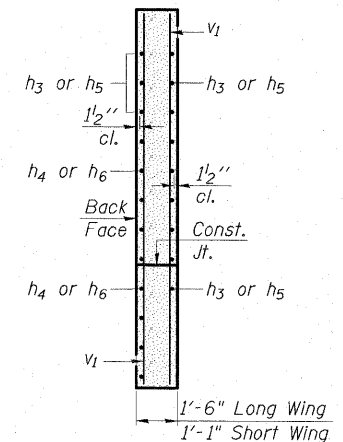


LONGITUDINAL SECTION



SECTION C-C (Downstream End Only)

PHOEBE NESTING SITE DETAILS



SECTION B-B

ESCA
CONSULTANTS, INC.

DESIGNED BY:	JMS	11/08
DRAWN BY:	DWH/cj	11/08
CHECKED BY:	RDP	02/09
APPROVED BY:	RDP	02/09

**BOX CULVERT DETAILS
STRUCTURE NO. 037-0173**

SHEET NO. 4 5 SHEETS	F.A.P. RTE.	SECTION	COUNTY	TOTAL SHEETS	SHEET NO.
	638	137-1BR	HENRY	67	17
			CONTRACT NO. 64428		
FED. ROAD DIST. NO.		ILLINOIS	FED. AID PROJECT		