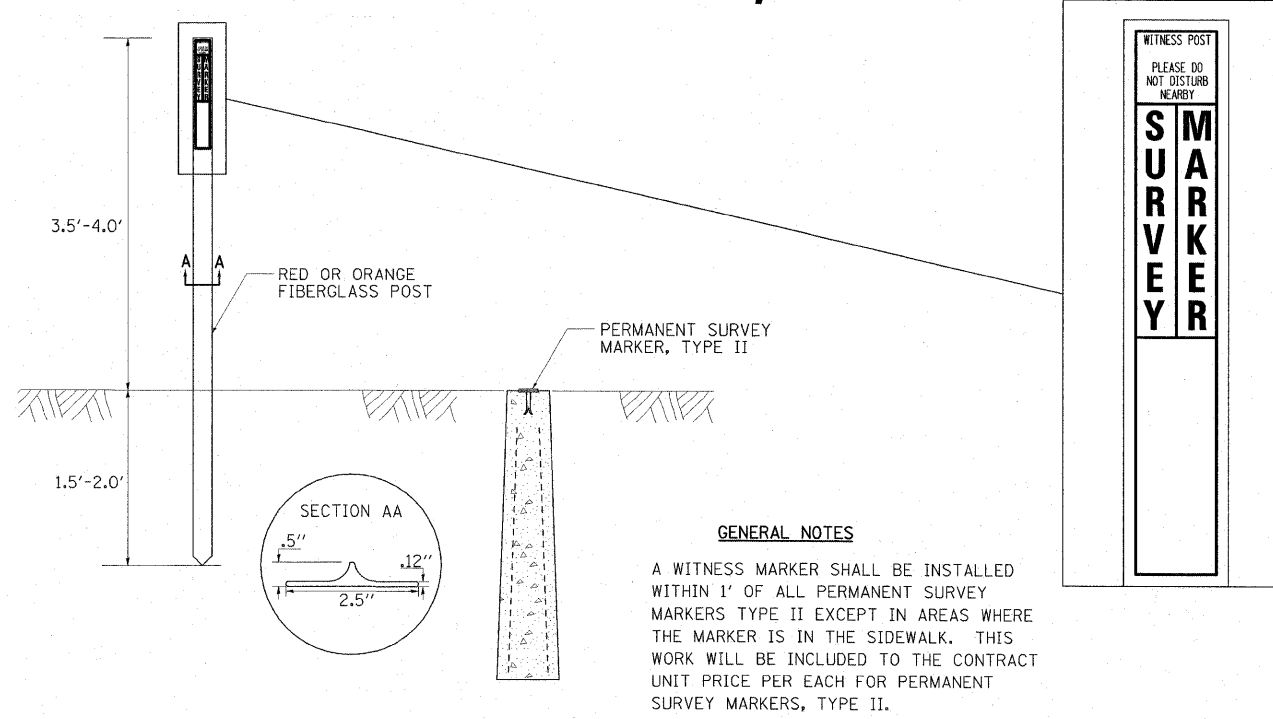
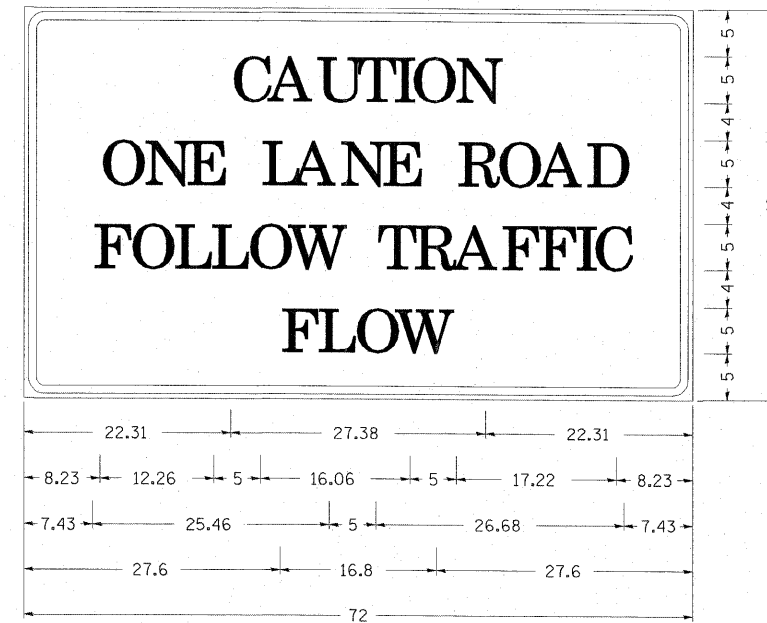


# WITNESS MARKER FOR PERMANENT SURVEY MARKERS, TYPE II



# ENTRANCE SIGN FOR USE WITH TEMPORARY SIGNALS



Type AA Fluorescent Orange Sheeting ;  
2.25" Radius, 0.88" Border, 0.50" Indent, Black on Orange;  
[CAUTION] D; [ONE LANE ROAD] D;  
[FOLLOW TRAFFIC] D; [FLOW] D

TABLE OF WIDTHS AND SPACES

22.31	C	3.36	A	0.62	4.18	0.94	U	3.36	0.94	T	3.04	0.94	I	0.78	1.17	O	3.52	1.17	N	3.36	22.31	
8.23	O	3.51	1.17	N	3.36	1.18	E	3.04														
5.00	L	3.05	0.31	A	4.18	0.94	N	3.36	1.17	E	3.05											
5.00	R	3.36	0.93	O	3.52	0.94	A	4.18	0.93	D	3.36	8.23										
7.43	F	3.04	0.94	O	3.52	1.17	L	3.04	0.94	L	3.05	0.94	O	3.51	0.94	W	4.37					
5.00	T	3.05	0.94	R	3.36	0.94	A	4.18	0.93	F	3.05	0.94	F	3.04	0.94	I	0.78	1.18	C	3.35	7.43	
27.60	F	3.05	0.94	L	3.04	0.94	O	3.52	0.93	W	4.38	27.60										

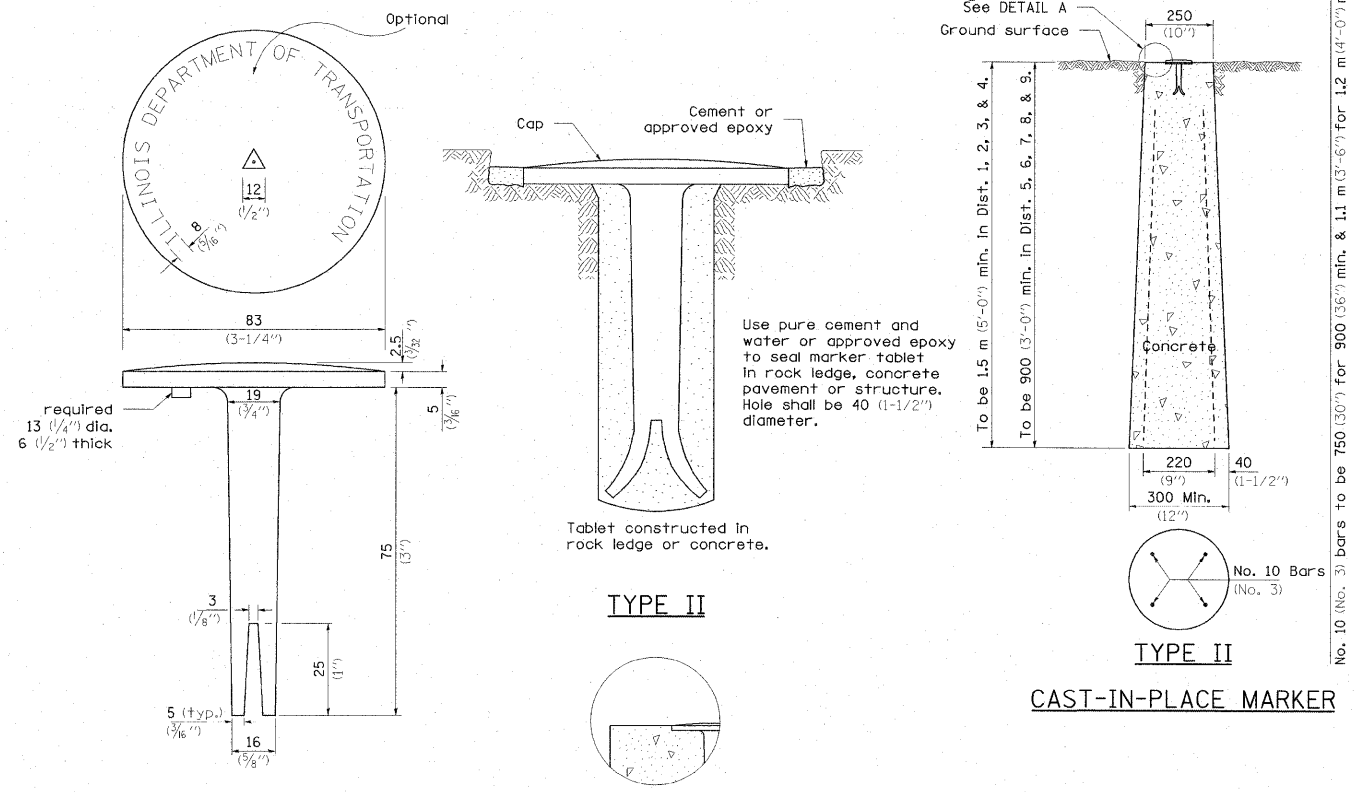
**GENERAL NOTES**

THIS SIGN SHALL BE INSTALLED AT ENTRANCES LOCATED BETWEEN THE TEMPORARY SIGNALS AS DIRECTED BY THE ENGINEER.

ALL DIMENSIONS ARE IN INCHES UNLESS OTHERWISE NOTED.

THE COST TO FURNISH, INSTALL AND REMOVE THIS SIGN AT THE REQUIRED LOCATIONS SHALL BE INCLUDED IN THE COST OF TRAFFIC CONTROL AND PROTECTION STANDARD 701321.

# PERMANENT SURVEY MARKERS, TYPE II



ALL DIMENSIONS ARE IN MILLIMETERS (INCHES) UNLESS OTHERWISE NOTED.

BRASS OR ALUMINUM TABLET

DETAIL A

## WITNESS MARKER & PERMANENT SURVEY MARKERS, TYPE II 66.2

FILE NAME = 0264428-sht-details02.dgn	USER NAME = HAS	DESIGNED - JMS	REVISED -
		DRAWN - JPC	REVISED -
		CHECKED - ELH	REVISED -
		DATE - 3/13/09	REVISED -

STATE OF ILLINOIS  
DEPARTMENT OF TRANSPORTATION

## ENTRANCE SIGN FOR USE WITH TEMPORARY SIGNALS 75.2

SCALE: NO SCALE	SHEET NO. 5 OF 10 SHEETS	STA. TO STA.	F.A.P. RTE. 638	SECTION 136BR-1, 137-1BR	COUNTY HENRY	TOTAL SHEETS 67	SHEET NO. 62
CONTRACT NO. 64428						ILLINOIS FED. AID PROJECT	