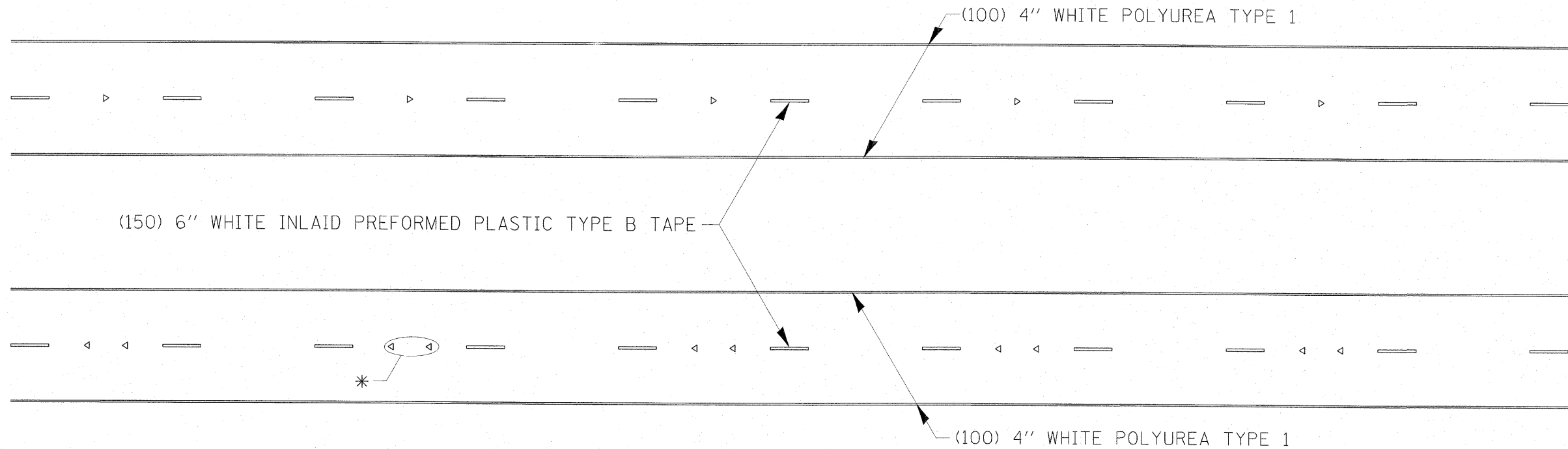
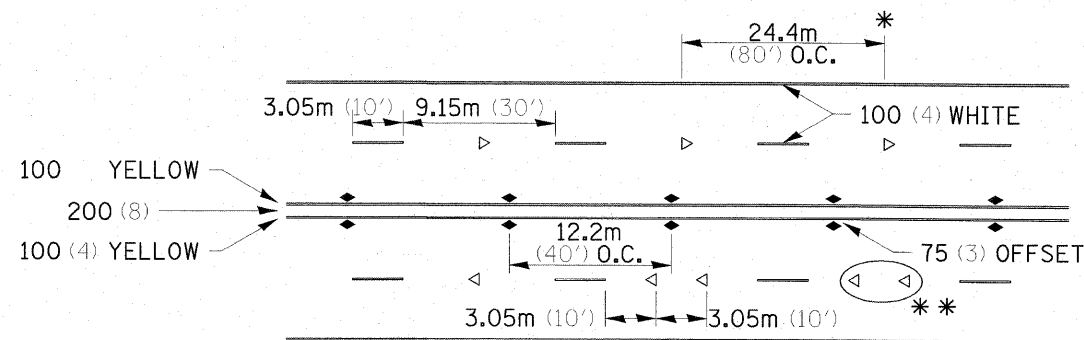


# TYPICAL PAVEMENT MARKINGS



\* SEE HIGHWAY STANDARD 781001 FOR SPACING DETAILS.  
USE DOUBLE MARKERS WHEN ADT  $\geq$  25,000.

## MULTI-LANE / DIVIDED



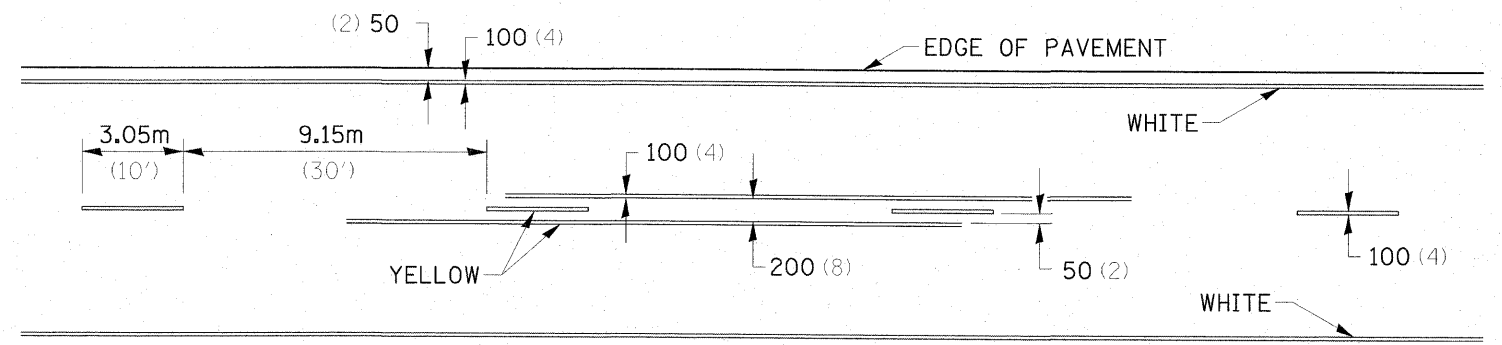
\* REDUCE TO 12.2m (40') O.C. ON CURVES WHERE ADVISORY SPEEDS ARE 15Km/H (10MPH) LOWER THAN POSTED SPEEDS.

\*\* USE DOUBLE MARKERS WHEN ADT  $\geq$  25,000

## MULTI-LANE / UNDIVIDED

### SYMBOLS

## TYPICAL PAVEMENT MARKING FOR TWO LANE SECTION – NO PASSING ZONES



REVISED - 10-21-08

FILE NAME = D264428-shr-detailed12.dgn	USER NAME = HAS	DESIGNED - JMS	REVISED -	<b>STATE OF ILLINOIS DEPARTMENT OF TRANSPORTATION</b>	<b>DISTRICT 2 STANDARDS</b>		F.A.P. RTE. 638	SECTION 136BR-1, 137-1BR	COUNTY HENRY	TOTAL SHEETS 67	SHEET NO. 67	
		DRAWN - JPC	REVISED -		SCALE: NO SCALE	SHEET NO. 10 OF 10 SHEETS	STA. TO STA.	CONTRACT NO. 64428				
		CHECKED - ELH	REVISED -		FED. ROAD DIST. NO. ILLINOIS FED. AID PROJECT							
		DATE - 3/13/09	REVISED -									