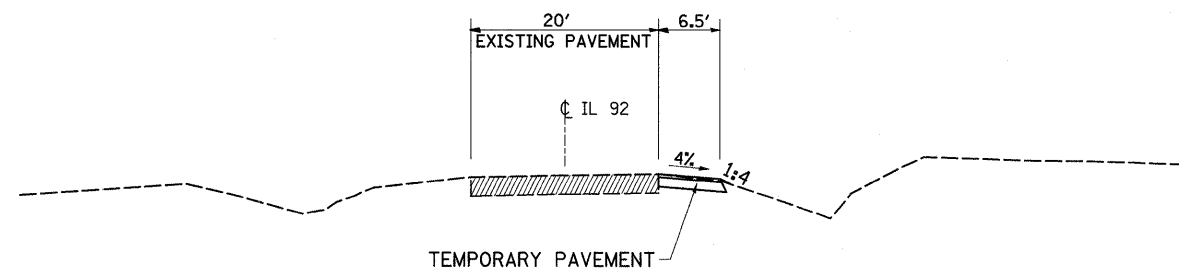


STAGING TYPICAL SECTIONS

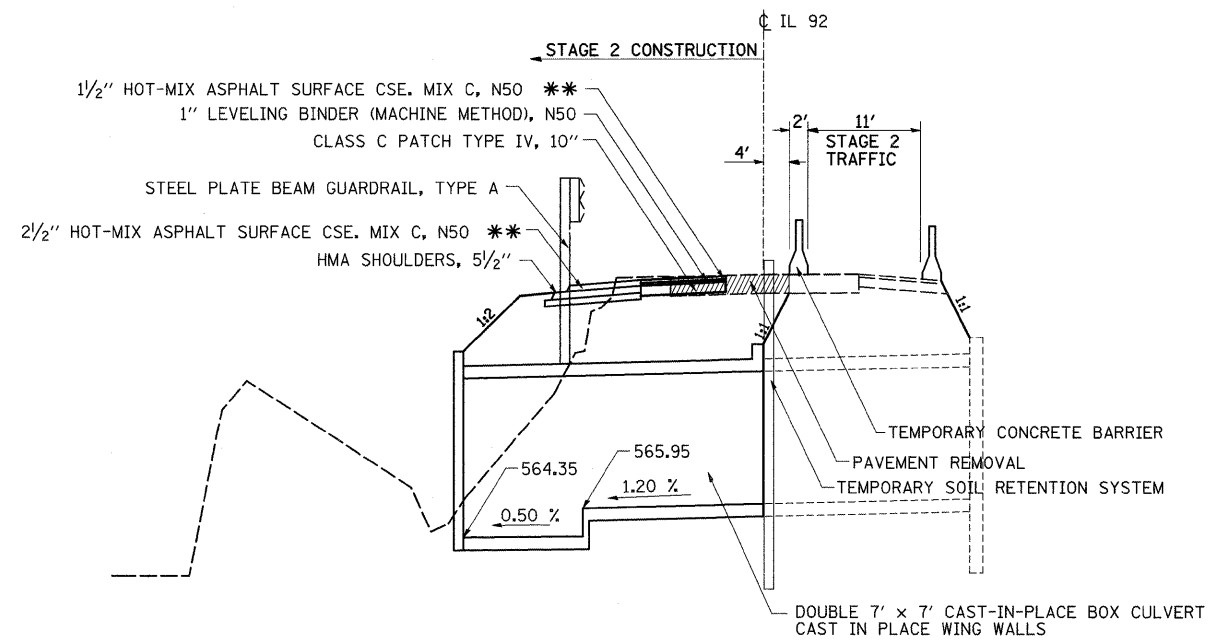
STAGE 1

STA. 994+41 TO STA. 995+72



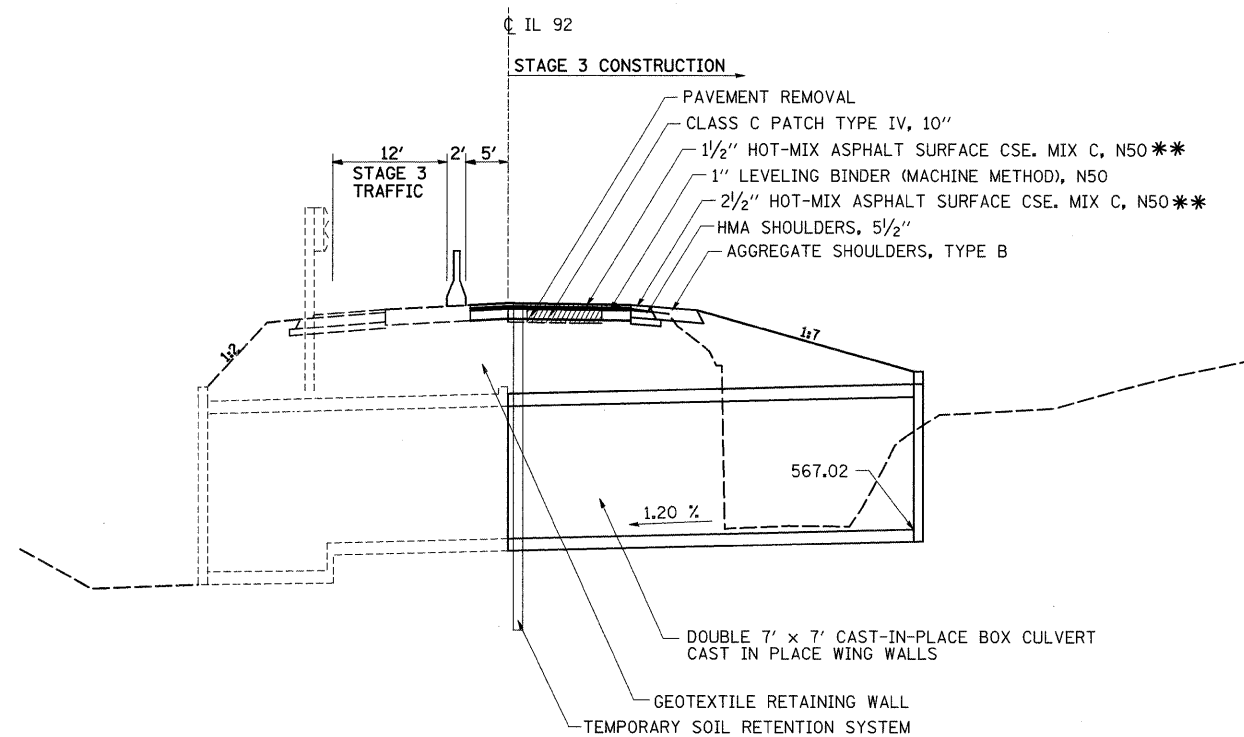
STAGE 2

STA. 995+64 TO STA. 997+02



STAGE 3

STA. 995+64 TO STA. 997+02



* MATCH EXISTING MAINLINE SLOPE
 ** 112 LB/SQ YD IN

FILE NAME =	USER NAME = hensonke	DESIGNED -	REVISED -	STATE OF ILLINOIS DEPARTMENT OF TRANSPORTATION	STAGING TYPICAL SECTION				F.A.P. RTE.	SECTION	COUNTY	TOTAL SHEETS	SHEET NO.		
c:\pwwork\pwwork\hensonke\dms34329\d1801typ.dgn		DRAWN -	REVISED -		SCALE:	SHEET NO.	OF	SHEETS	STA.	TO STA.	599	103MFT-T	ROCK ISLAND	55	9
		CHECKED -	REVISED -												
		DATE -	REVISED -												
PLOT SCALE = 50.0000' / IN.		PLOT DATE = Wed Dec 03 14:27:21 2008		CONTRACT NO. 64737											
										FED. ROAD DIST. NO. ILLINOIS FED. AID PROJECT					