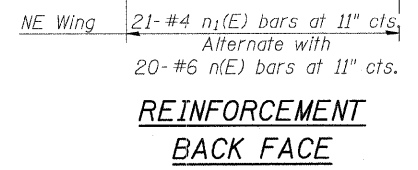
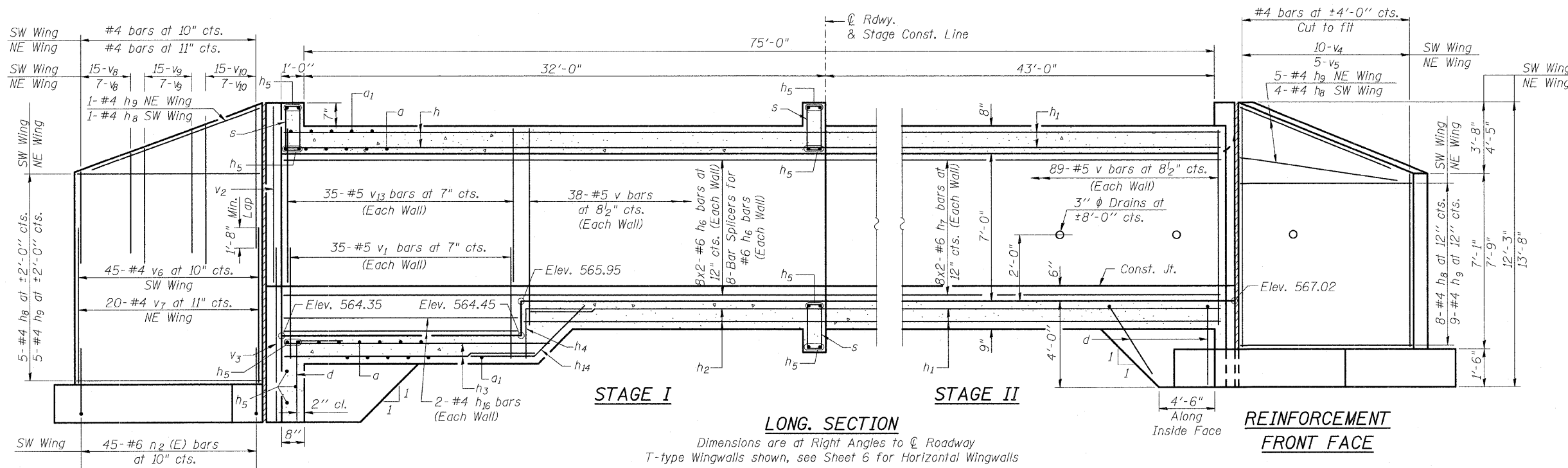
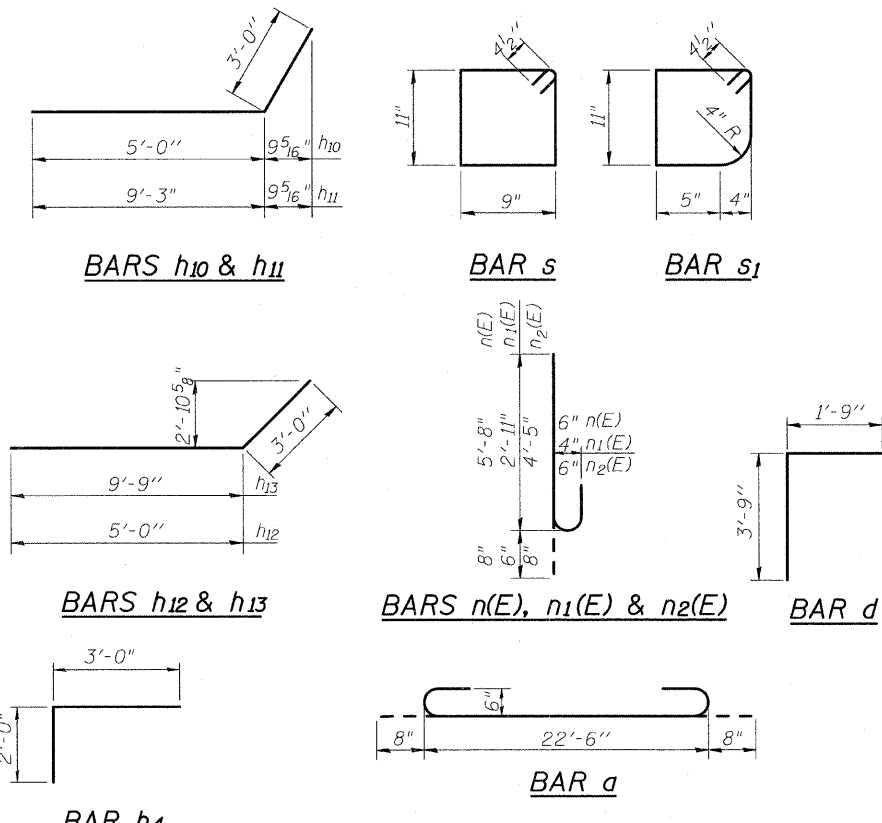
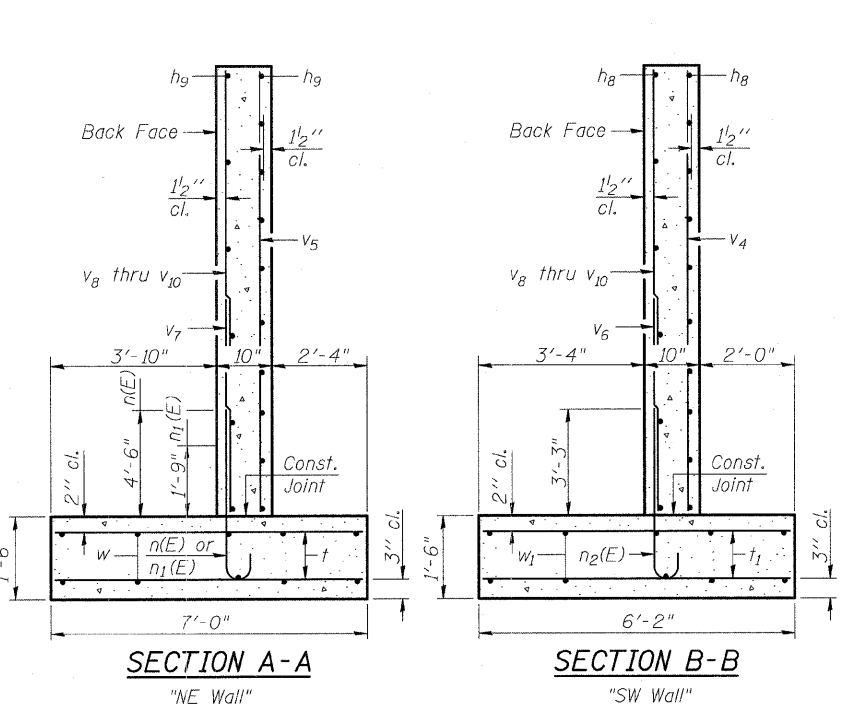


STATE OF ILLINOIS  
DEPARTMENT OF TRANSPORTATION



**MIN. BAR LAP**  
#6 bar = 2'-0"



**BILL OF MATERIAL**

Bar	No.	Size	Length	Shape
a	314	#6	23'-10"	
a1	316	#7	22'-6"	
d	58	#4	5'-6"	
h	64	#5	24'-4"	
h1	128	#5	32'-1"	
h2	32	#5	26'-6"	
h3	32	#5	20'-10"	
h4	16	#5	5'-0"	
h5	26	#6	23'-10"	
h6	48	#6	24'-4"	
h7	48	#6	32'-1"	
h8	18	#4	35'-10"	
h9	20	#4	16'-10"	
h10	14	#7	8'-0"	
h11	11	#7	12'-3"	
h12	14	#8	8'-0"	
h13	11	#8	12'-9"	
h14	16	#5	5'-0"	
h15	12	#5	2'-2"	
h16	6	#6	19'-8"	
n(E)	20	#6	6'-4"	
n1(E)	21	#4	3'-5"	
n2(E)	45	#6	5'-1"	
s	69	#4	4'-1"	
s1	23	#4	3'-10"	
t	49	#4	6'-9"	
t1	74	#4	5'-11"	
v	383	#5	8'-2"	
v1	105	#5	3'-10"	
v2	4	#5	8'-0"	
v3	4	#5	7'-5"	
v4	10	#4	10'-5"	
v5	5	#4	11'-10"	
v6	45	#4	6'-0"	
v7	20	#4	6'-8"	
v8	22	#4	4'-0"	
v9	22	#4	5'-8"	
v10	22	#4	7'-4"	
v11	4	#4	13'-4"	
v12	4	#4	11'-11"	
v13	105	#5	7'-5"	
w	12	#5	16'-11"	
w1	10	#5	35'-11"	
Concrete Box Culverts			Cu. Yd.	215.2
Reinforcement Bars, Epoxy Coated			Pound	630
Reinforcement Bars			Pound	47,260

Notes:  
Bars indicated thus 12x4-#5 etc. indicates 12 lines of bars with 4 lengths per line.

**CULVERT DETAILS**  
**STRUCTURE NO. 081-1116**

DESIGNED	AEU
CHECKED	DS
DRAWN	AEU/AH
CHECKED	DS

<b>RHAA</b> Robert H. Anderson & Associates, Inc. Consulting Engineers License No. 184-005281	SHEET NO. 7	F.A.P. RTE. 599	SECTION 103MFT-T	COUNTY ROCK ISLAND	TOTAL SHEETS 55	SHEET NO. 31
	9 SHEETS	CONTRACT NO. 64737		ILLINOIS FED. AID PROJECT		