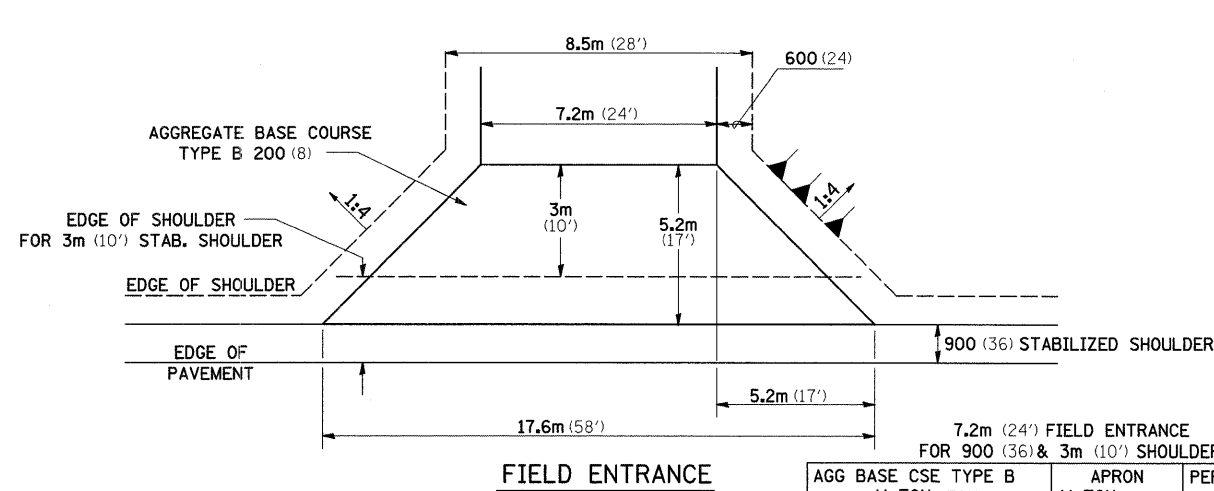
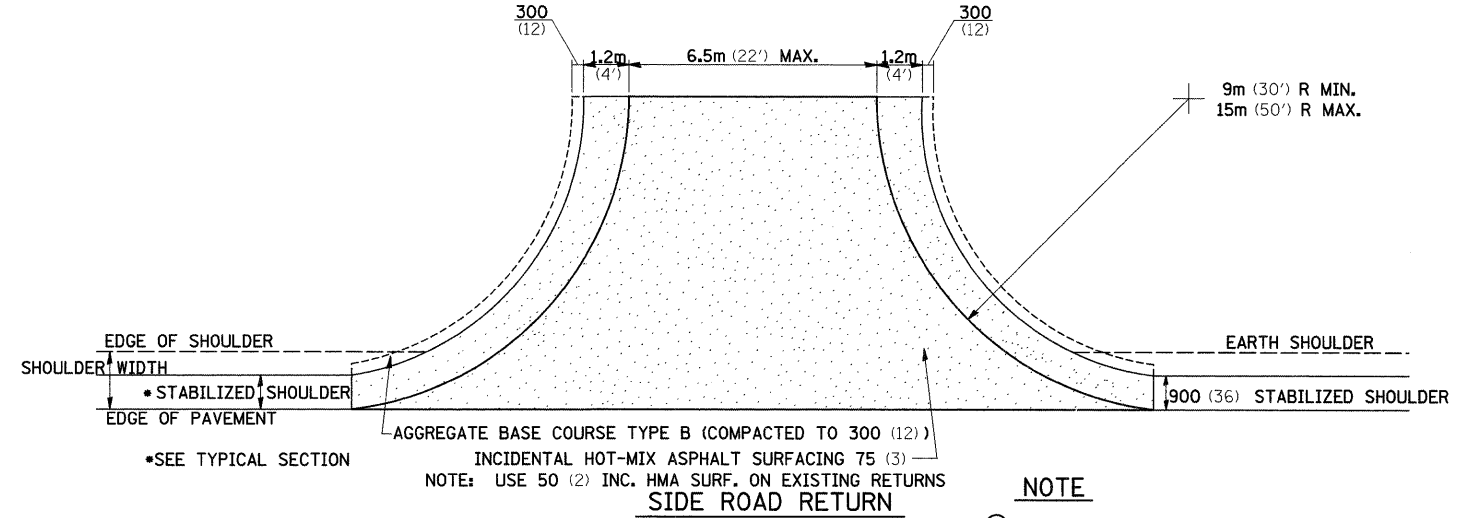


# ENTRANCES, SIDEROADS, AND MAILBOX RETURNS WITH 3' OR 10' HOT-MIX ASPHALT SHOULDERS



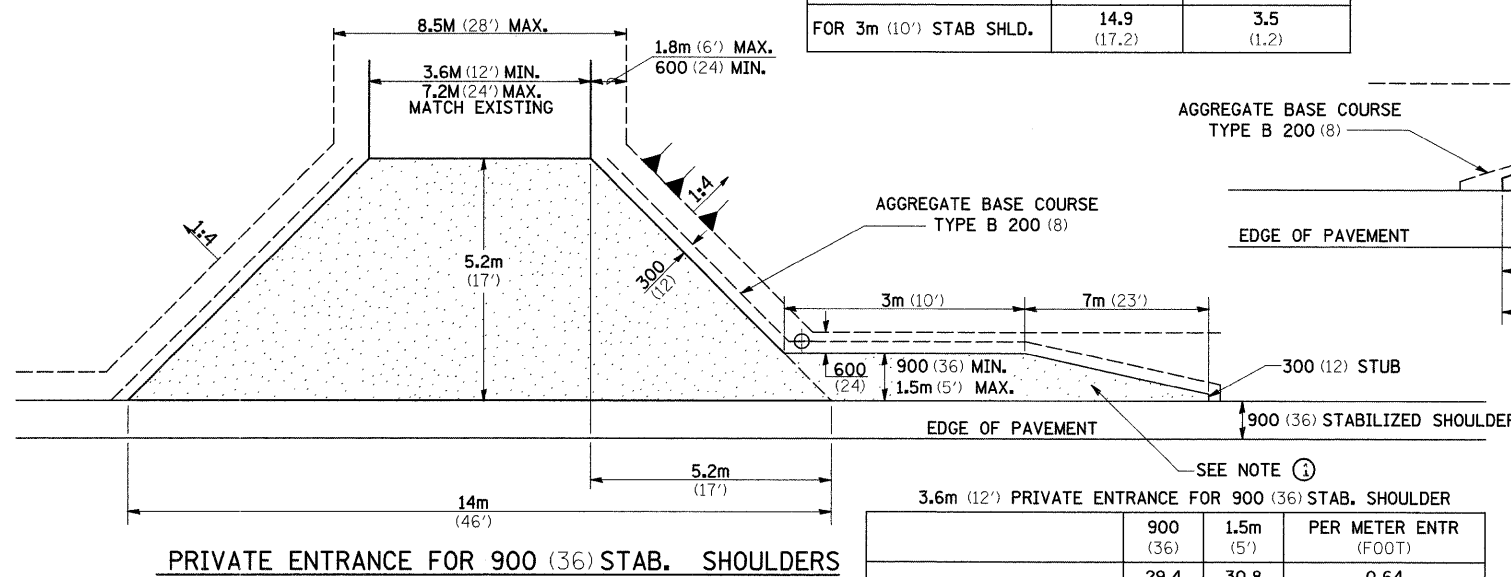
**7.2m (24') FIELD ENTRANCE  
FOR 900 (36) & 3m (10') SHOULDERS**

AGG BASE CSE TYPE B M TON (TON)	APRON M TON (TON)	PER METER (FOOT) ADD. RUN
FOR 900 (36) STAB SHLD.	31.3 (35.3)	3.5 (1.2)
FOR 3m (10') STAB SHLD.	14.9 (17.2)	3.5 (1.2)



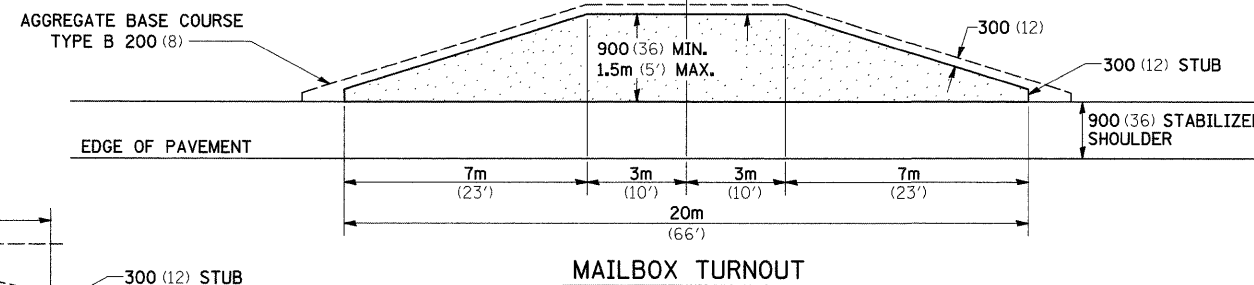
**NOTE**

- ① ALL ENTRANCES TO BE CONSTRUCTED WITH AN 8" AGGREGATE BASE COURSE, TYPE B AND WITH A 2" INCIDENTAL HOT-MIX ASPHALT SURFACING, UNLESS OTHERWISE NOTED.
- ② TURNOUTS ARE TO BE CONSTRUCTED ON THE APPROACH SIDE OF ALL PE & CE REGARDLESS IF A MAILBOX IS PRESENT.
- ③ ALL PE & CE ARE TO BE SURFACED TO RIGHT OF WAY LINE. AREA BEHIND RIGHT OF WAY SHALL MATCH EXISTING SURFACE.
- ④ FE ARE TO BE AGGREGATE TO RIGHT OF WAY OR TOUCH DOWN WHICH EVER IS GREATER.
- ⑤ QUANTITIES SHOWN ARE FOR NEW CONSTRUCTION.
- ⑥ ALL DIMENSIONS ARE IN MILLIMETERS (INCHES) UNLESS OTHERWISE NOTED.



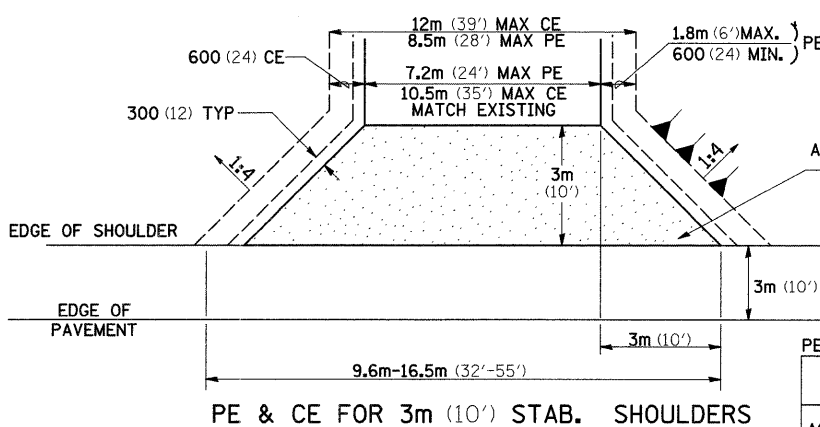
**3.6m (12') PRIVATE ENTRANCE FOR 900 (36) STAB. SHOULDER**

	900 (36)	1.5m (5')	PER METER ENTR (FOOT)
AGG BASE CSE (TON)	29.4 (32.4)	30.8 (33.9)	0.64 (0.7)
INC HMA SURF 50 (2) (TON)	7.8 (8.6)	8.4 (9.3)	0.17 (0.19)
BIT PRIME COAT (TON)	0.08 (0.09)	0.09 (0.10)	0.006 (0.002)



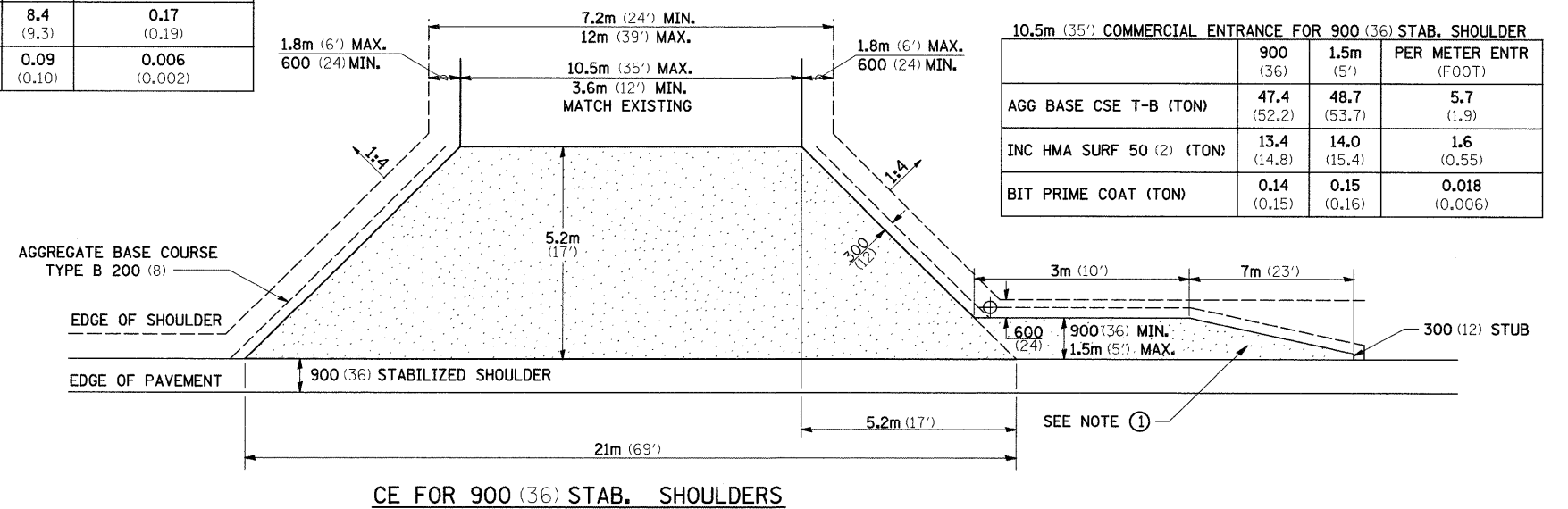
**MAILBOX TURNOUT**

	900 (36)	1.5m (5')
AGG BASE CSE T-B (TON)	10.7 (11.8)	14.4 (15.9)
INC BIT SURF 50 (2) (TON)	2.2 (2.4)	3.4 (3.8)
BIT PRIME COAT (TON)	0.02 (0.02)	0.04 (0.04)



**PE & CE FOR 3m (10') STAB. SHOULDER**

	3.6m PE (12')	10.5m CE (35')
AGG BASE CSE (TON)	11.4 (12.6)	21.9 (24.2)
INC HMA SURF (TON)	3.1 (3.4)	6.3 (7.0)
PRIME (TON)	0.04 (0.04)	0.06 (0.07)



**10.5m (35') COMMERCIAL ENTRANCE FOR 900 (36) STAB. SHOULDER**

	900 (36)	1.5m (5')	PER METER ENTR (FOOT)
AGG BASE CSE T-B (TON)	47.4 (52.2)	48.7 (53.7)	5.7 (1.9)
INC HMA SURF 50 (2) (TON)	13.4 (14.8)	14.0 (15.4)	1.6 (0.55)
BIT PRIME COAT (TON)	0.14 (0.15)	0.15 (0.16)	0.018 (0.006)

FILE NAME =	USER NAME = hensonke	DESIGNED -	REVISED - 1-15-08
cd:\pr_work\pwsdot\hensonke\dms34329\d21801-ah-standards.dgn		DRAWN -	REVISED -
		CHECKED -	REVISED -
		DATE -	REVISED -

**STATE OF ILLINOIS  
DEPARTMENT OF TRANSPORTATION**

**REGION 2 / DISTRICT 2 STANDARD**

SCALE:	SHEET NO.	OF SHEETS	STA.	TO STA.	F.A.P. RTE.	SECTION	COUNTY	TOTAL SHEETS	SHEET NO.
					599	103MFT-T	ROCK ISLAND	55	38

CONTRACT NO. 64737  
FED. ROAD DIST. NO. ILLINOIS FED. AID PROJECT