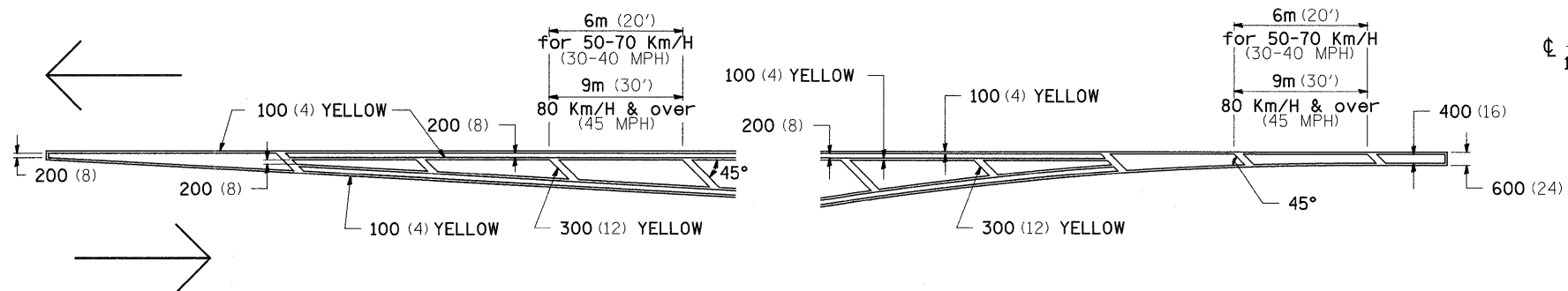
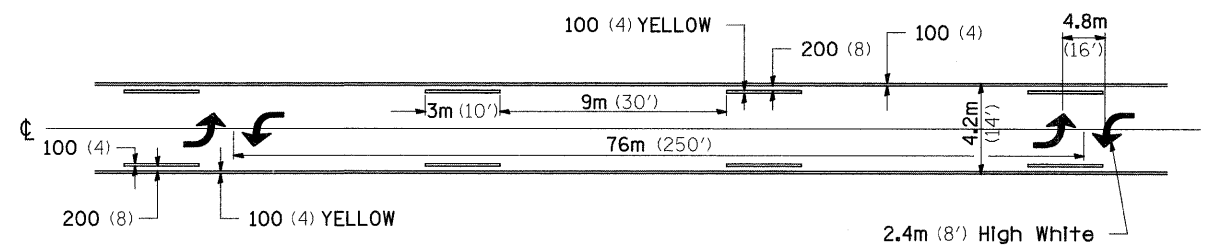


# TYPICAL PAVEMENT MARKINGS

## TYPICAL PAVEMENT MARKING FOR FLUSH MEDIAN AT LEFT TURN LANE

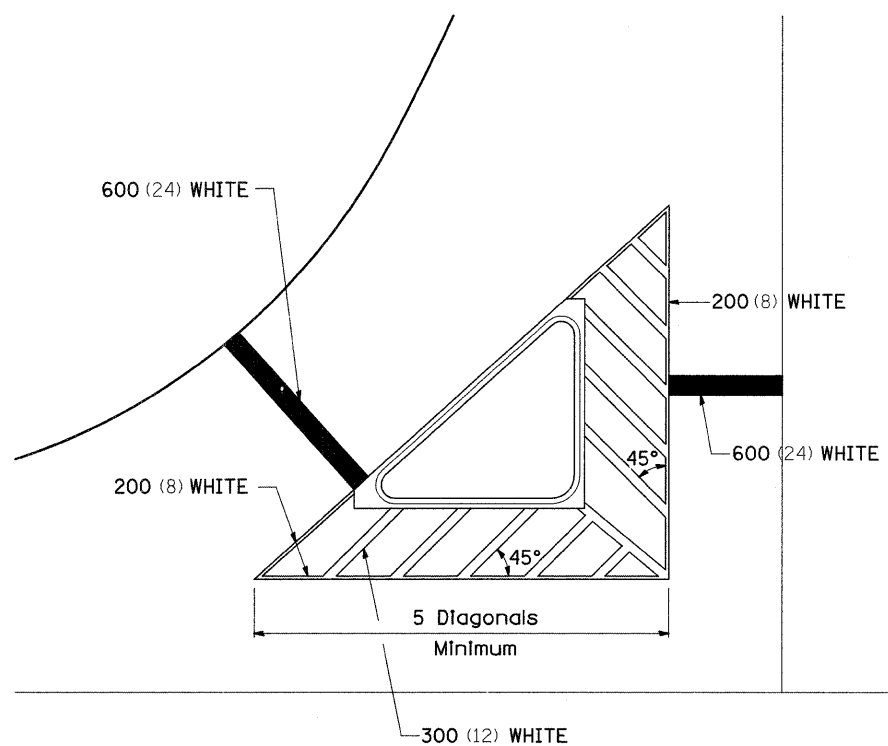


## MEDIAN PAVEMENT MARKING

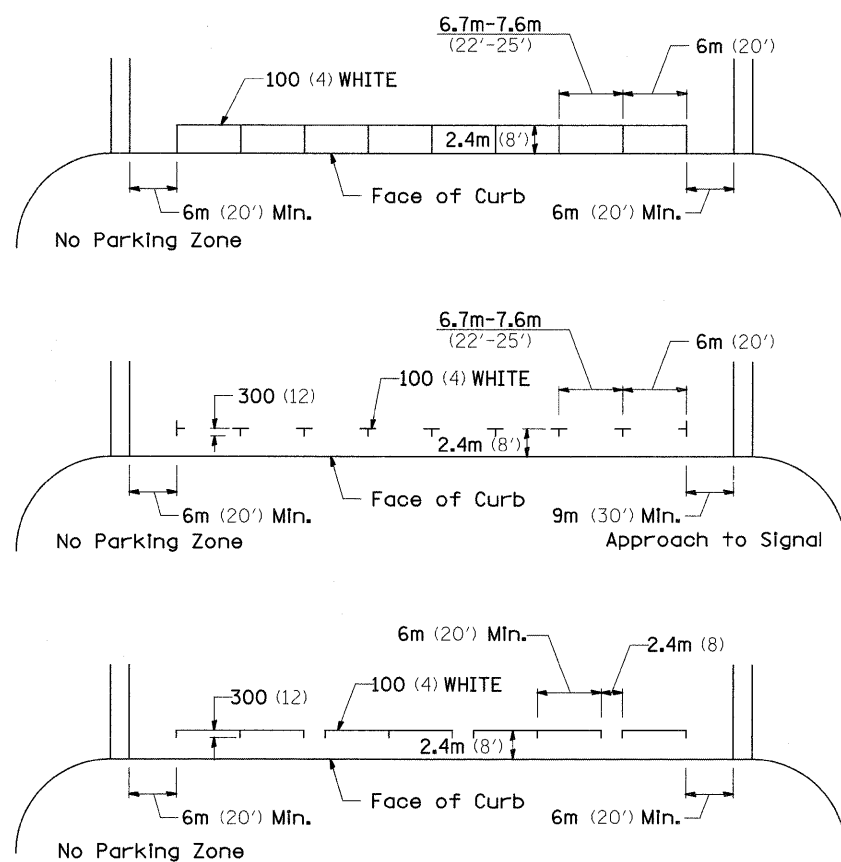


\*\* ALL DIMENSIONS ARE IN MILLIMETERS (INCHES) UNLESS OTHERWISE NOTED.

## TYPICAL ISLAND OFFSET SHOULDER WIDTH

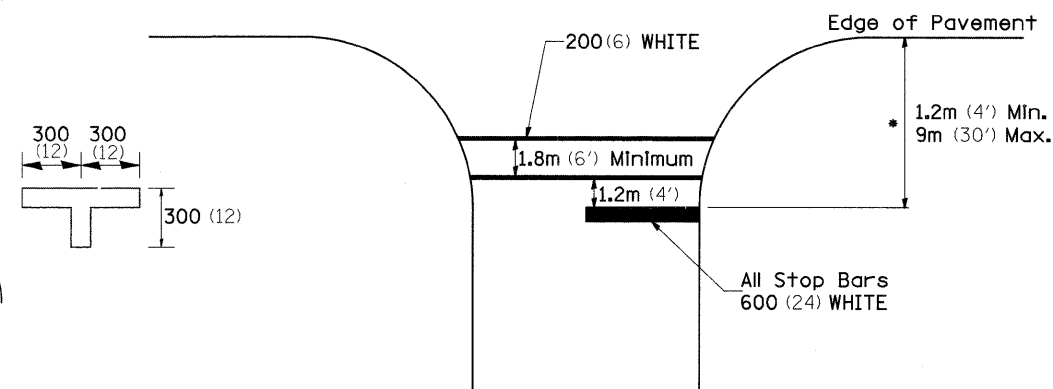


## TYPICAL PARKING SPACING



## STANDARD CROSSWALK MARKING

See Schedules for Locations



\* Distance to the nearest edge of the intersecting roadway in the absence of a marked crosswalk.

FILE NAME =	USER NAME = hensonke	DESIGNED -	REVISED - 10-21-08	<b>STATE OF ILLINOIS DEPARTMENT OF TRANSPORTATION</b>	<b>REGION 2 / DISTRICT 2 STANDARD</b>	F.A.P. RTE.	SECTION	COUNTY	TOTAL SHEETS	SHEET NO.	
cr\p\work\p\stdot\hensonke\dms34329\d21001-sht-standards.dgn	PLOT SCALE = 50.0000' / IN.	DRAWN -	REVISED -			599	103MFT-T	ROCK ISLAND	55	39	
PLOT DATE = Thu Dec 04 08:57:54 2008	DATE -	CHECKED -	REVISED -			CONTRACT NO. 64737					
SCALE: SHEET NO. OF SHEETS STA. TO STA.						FED. ROAD DIST. NO. ILLINOIS FED. AID PROJECT					