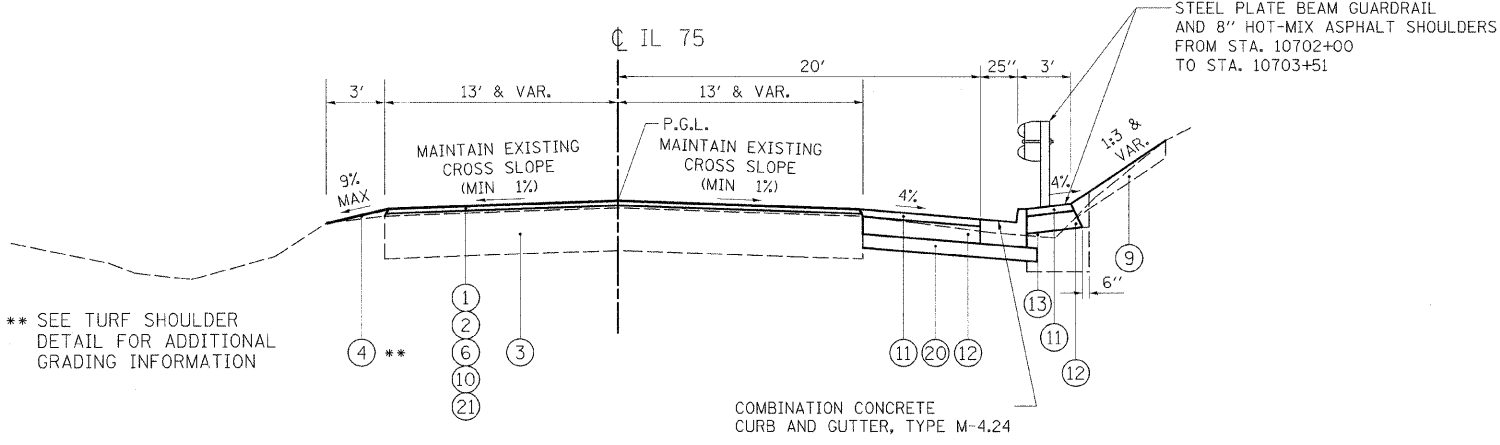


TYPICAL SECTION - ACROSS-ROAD CULVERTS IN RESURFACING SECTION

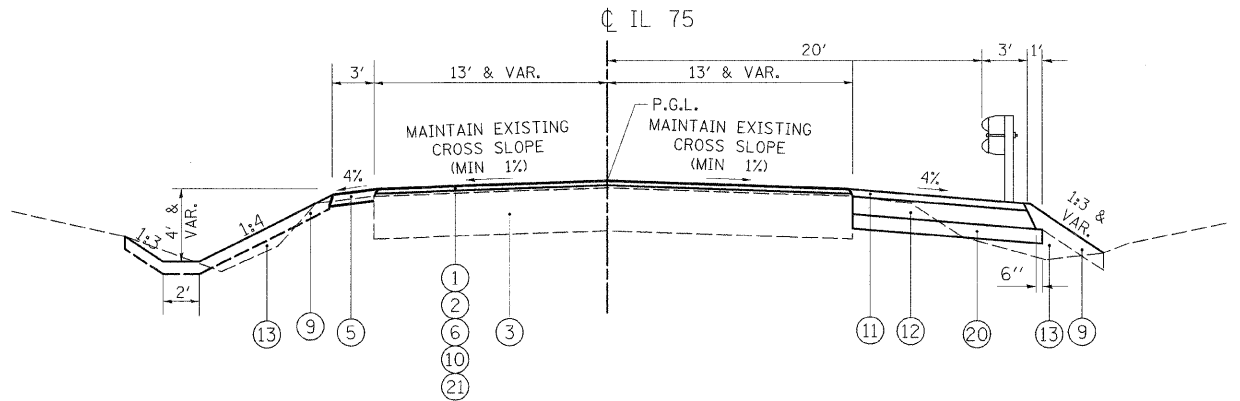
CULVERT #17	STA. 10448+45	TO STA. 10449+00
CULVERT #24	STA. 10583+62	TO STA. 10584+42
CULVERT #16	STA. 10653+12	TO STA. 10655+70
CULVERT #1	STA. 10670+53	TO STA. 10670+92
CULVERT #4	STA. 10767+31	TO STA. 10767+99
CULVERT #5	STA. 10813+34	TO STA. 10813+77
CULVERT #6	STA. 10853+79	TO STA. 10854+22
CULVERT #7	STA. 10893+99	TO STA. 10894+41
CULVERT #8	STA. 10968+53	TO STA. 10969+05



TYPICAL SECTION - CURB AND GUTTER IN RESURFACING SECTION

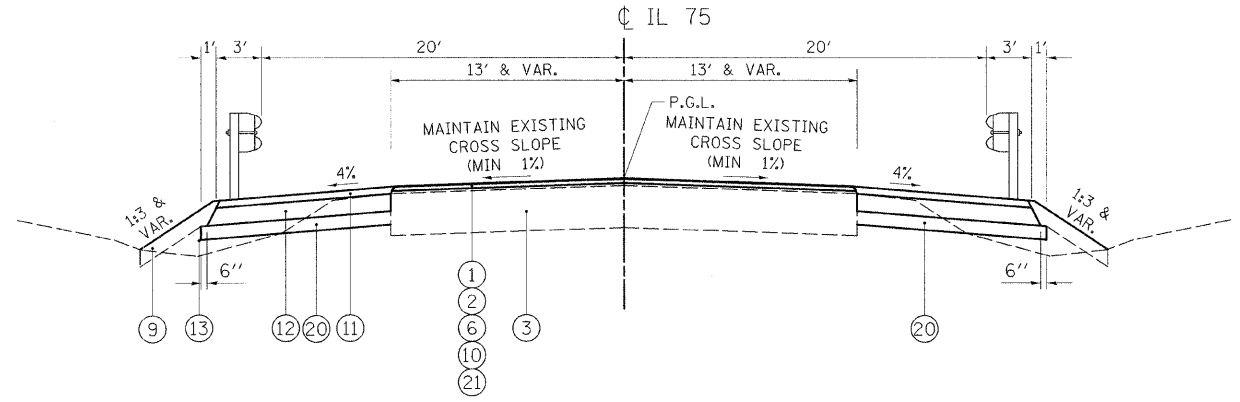
STA 10698+50 TO 10703+51

** SEE TURF SHOULDER DETAIL FOR ADDITIONAL GRADING INFORMATION



TYPICAL SECTION - RESURFACING

STA 10708+50 TO 10711+68



TYPICAL SECTION - RESURFACING, GUARDRAIL

STA 10703+51 TO 10704+50
STA 10706+28 TO 10708+50

LEGEND

- ① 1 1/2", HOT-MIX ASPHALT SURFACE COURSE, MIX "D", N50
- ② 1", LEVELING BINDER (MACHINE METHOD), N50
- ③ EXISTING +/-7" PCC PAVEMENT WITH +/-7" HOT-MIX ASPHALT OVERLAY
- ④ AGGREGATE WEDGE SHOULDERS, TYPE B
- ⑤ AGGREGATE SHOULDERS, TYPE A, 6"
- ⑥ HOT-MIX ASPHALT SURFACE REMOVAL, 3/4"
- ⑦ PAVEMENT REMOVAL, EXISTING +/-7" PCC PAVEMENT WITH +/-7" HOT-MIX ASPHALT OVERLAY (REPLACE WITH ⑧)
- ⑧ PORTLAND CEMENT CONCRETE BASE COURSE, 9 1/4"
- ⑨ TOPSOIL, 6"
- ⑩ 3/4", LEVELING BINDER (MACHINE METHOD), N50
- ⑪ 2", HOT-MIX ASPHALT SURFACE COURSE, MIX "C", N50
- ⑫ HOT-MIX ASPHALT SHOULDERS, 6"
- ⑬ SUITABLE EMBANKMENT
- ⑭ HOT-MIX ASPHALT PAVEMENT (FULL-DEPTH), 12"
- ⑮ COMBINATION CONCRETE GUTTER & GUTTER, TYPE B-6.24
- ⑯ AGGREGATE SHOULDERS, TYPE A, 8"
- ⑰ SUB-BASE GRANULAR MATERIAL, TYPE A, 12"
- ⑱ NOT USED
- ⑲ NOT USED
- ⑳ CA6 OR CA10 (4") TO BE INCLUDED IN THE COST OF THE HOT-MIX ASPHALT SHOULDERS
- ㉑ AREA REFLECTIVE CRACK CONTROL
- ㉒ AGGREGATE DITCH, 12"

NOTE: SURFACE AND BINDER COURSE QUANTITIES ARE CALCULATED AT A RATE OF 112 LBS./S.Y.-IN.

PLOT DATE = 3/23/2009
 FILE NAME = K:\111RS-4, 111BR-1, Yc-15d-RS-1, & (W-15d)T-1.dgn
 USER NAME = JTreece
 MODEL = Default

REVISIONS	
NAME	DATE

ILLINOIS DEPARTMENT OF TRANSPORTATION
F.A.P. ROUTE 505 (IL 75)

**ILLINOIS ROUTE 75
TYPICAL SECTIONS**

SCALE: VERT. DRAWN BY MTH
 HORIZ. CHECKED BY SPF
 DATE: 3/3/09