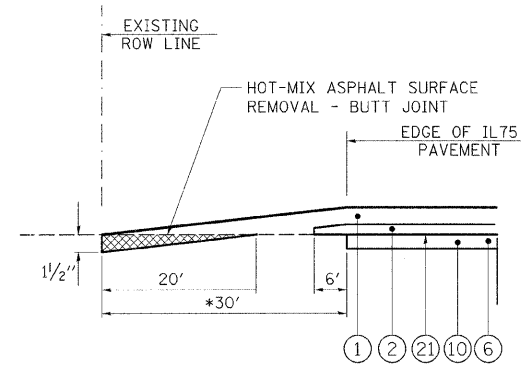
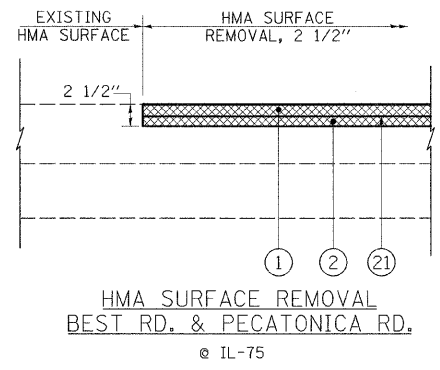


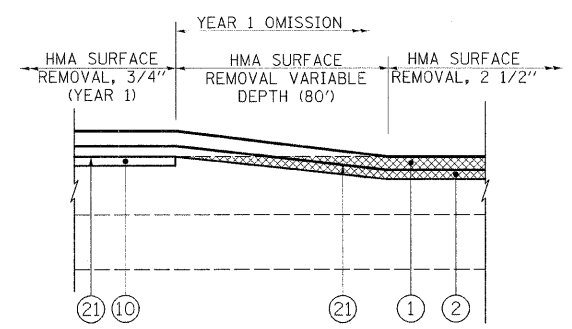
F.A.P. RTE.	SECTION	COUNTY	TOTAL SHEETS	SHEET NO.
505	111RS-4, 111BR-1, Yg-15d-RS-1, & (W-15d)T-1	STEPHENSON & WINNEBAGO	335	43
STA.		TO STA.		
FED. ROAD DIST. NO. 2		ILLINOIS	FED. AID PROJECT	
CONTRACT NO. 64970				



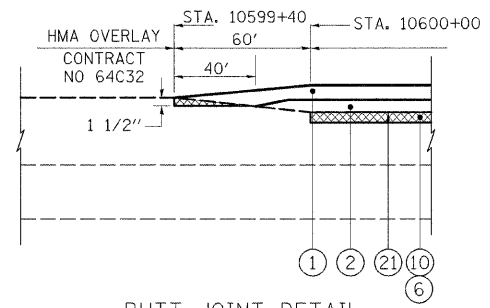
BUTT JOINT DETAILS (SIDEROAD)
 * IF DISTANCE FROM BEGINNING OF BUTT JOINT TO THE MAINLINE EDGE OF PAVEMENT IS LESS THAN 30', TRANSITION THE SURFACE COURSE OVER THE SHORTER DISTANCE.



**HMA SURFACE REMOVAL
 BEST RD. & PECATONICA RD.**
 @ IL-75

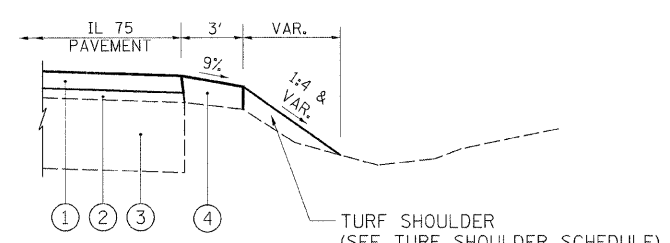


HMA SURFACE REMOVAL VARIABLE DEPTH
 @ BEST ROAD
 @ PECATONICA ROAD

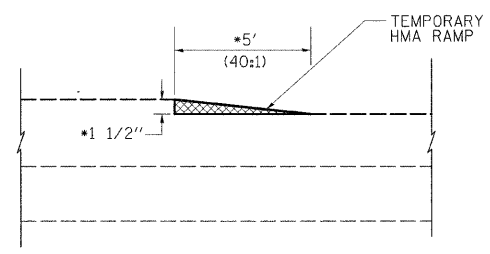


**BUTT JOINT DETAIL
 STA. 10599+40**

NOTE
 AREA REFLECTIVE CRACK CONTROL SHALL BE APPLIED TO THE TOP OF 3/4" LEVELING BINDER OUTSIDE THE OMISSIONS, AND ON TOP OF THE 1" LEVELING BINDER WITHIN THE OMISSIONS.



TURF SHOULDER



TEMPORARY RAMP DETAIL
 • 2 1/2" DEPTH, 8' LENGTH
 @ BEST RD. & PECATONICA RD.

LEGEND

- | | |
|---|--|
| ① 1 1/2", HOT-MIX ASPHALT SURFACE COURSE, MIX "D", N50 | ⑬ SUITABLE EMBANKMENT |
| ② 1", LEVELING BINDER (MACHINE METHOD), N50 | ⑭ HOT-MIX ASPHALT PAVEMENT (FULL-DEPTH), 12" |
| ③ EXISTING +/-7" PCC PAVEMENT WITH +/-7" HOT-MIX ASPHALT OVERLAY | ⑮ COMBINATION CONCRETE GUTTER & GUTTER, TYPE B-6.24 |
| ④ AGGREGATE WEDGE SHOULDERS, TYPE B | ⑯ AGGREGATE SHOULDERS, TYPE A, 8" |
| ⑤ AGGREGATE SHOULDERS, TYPE A, 6" | ⑰ SUB-BASE GRANULAR MATERIAL, TYPE A, 12" |
| ⑥ HOT-MIX ASPHALT SURFACE REMOVAL, 3/4" | ⑱ NOT USED |
| ⑦ PAVEMENT REMOVAL, EXISTING +/-7" PCC PAVEMENT WITH +/-7" HOT-MIX ASPHALT OVERLAY (REPLACE WITH ⑧) | ⑲ NOT USED |
| ⑧ PORTLAND CEMENT CONCRETE BASE COURSE, 9 1/4" | ⑳ CA6 OR CA10 (4") TO BE INCLUDED IN THE COST OF THE HOT-MIX ASPHALT SHOULDERS |
| ⑨ TOPSOIL, 6" | ㉑ AREA REFLECTIVE CRACK CONTROL |
| ⑩ 3/4", LEVELING BINDER (MACHINE METHOD), N50 | ㉒ AGGREGATE DITCH, 12" |
| ⑪ 2", HOT-MIX ASPHALT SURFACE COURSE, MIX "C", N50 | |
| ⑫ HOT-MIX ASPHALT SHOULDERS, 6" | |

NOTE: SURFACE AND BINDER COURSE QUANTITIES ARE CALCULATED AT A RATE OF 112 LBS./S.Y.-IN.

PAY ITEMS FOR TURF SHOULDER SHALL INCLUDE:

CODE NUMBER	PAY ITEM	UNIT
21101600	TOPSOIL FURNISH AND PLACE, VARIABLE DEPTH	SQ YD
25000210	SEEDING, CLASS 2A	ACRE
25000400	NITROGEN FERTILIZER NUTRIENT	POUND
25000500	PHOSPHORUS FERTILIZER NUTRIENT	POUND
25000600	POTASSIUM FERTILIZER NUTRIENT	POUND
25100115	MULCH, METHOD 2	ACRE
23100630	EROSION CONTROL BLANKET	SQ YD

PAVE LEVEL BINDER AND HOT-MIX ASPHALT SURFACE COURSES, PLACE AGGREGATE SHOULDERS, TYPE B AT 9%, MOW EXISTING VEGETATION TO A HEIGHT NO GREATER THAN 2", SPREAD TOPSOIL TO WIDTHS SHOWN ON TURF SHOULDER SCHEDULE, ADD FERTILIZERS, SEEDING AND MULCH.

REVISIONS	
NAME	DATE

ILLINOIS DEPARTMENT OF TRANSPORTATION
 F.A.P. ROUTE 505 (IL 75)

**ILLINOIS ROUTE 75
 PAVEMENT DETAILS**

SCALE: VERT. _____
 HORIZ. _____
 DATE: 3/3/09

DRAWN BY MTH
 CHECKED BY SPF

PLOT DATE = 0/19/09 09:00
 FILE NAME = H:\31155800\11_75_3p\east\cadd\design\115800_Pavement_Details.dgn
 PLOT SCALE = 1/8"=1'-0"
 USER NAME = JTFreney
 MODEL = Default