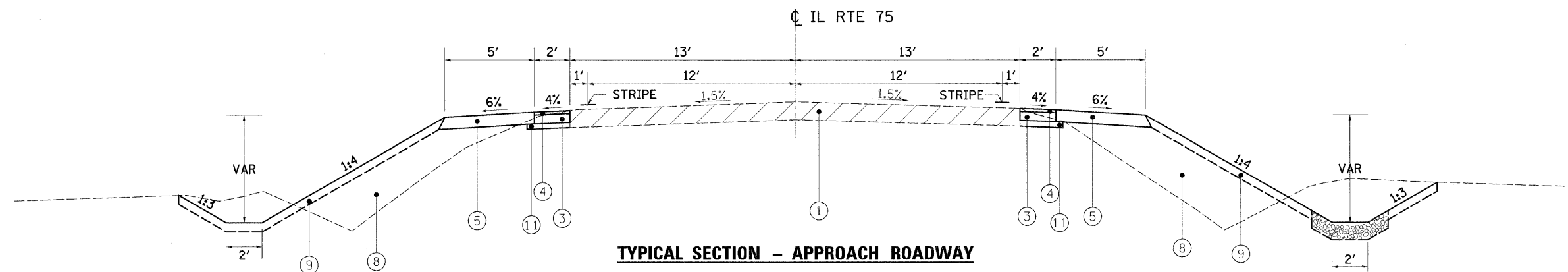


F.A.P. RTE.	SECTION	COUNTY	TOTAL SHEETS	SHEET NO.
505	111RS-1, 111BR-1 Yg-15d-RS-1 & W-15d-1-1	STEPHENSON & WINNEBAGO	335	44
STA.		TO STA.		
FED. ROAD DIST. NO.	ILLINOIS	FED. AID PROJECT		
CONTRACT NO. 64970				

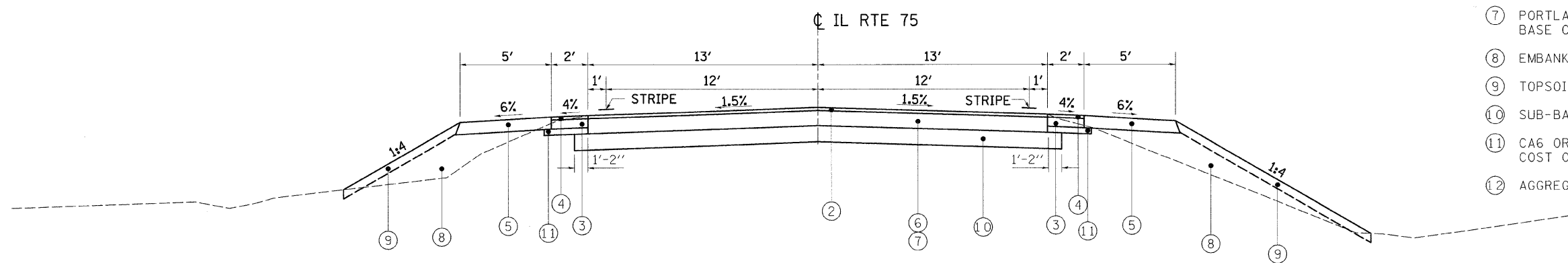


TYPICAL SECTION - APPROACH ROADWAY

STA. 11052+50 TO STA. 11054+12
 STA. 11054+66 TO STA. 11056+50
 STA. 11073+00 TO STA. 11074+98
 STA. 11075+69 TO STA. 11077+50

LEGEND

- ① EXISTING +/-7" PCC PAVEMENT WITH +/-7" HOT-MIX ASPHALT OVERLAY
- ② 1 1/2", HOT-MIX ASPHALT SURFACE COURSE, MIX "D", N50
- ③ HOT-MIX ASPHALT SHOULDERS, 6"
- ④ 2", HOT-MIX ASPHALT SURFACE COURSE, MIX "C", N50
- ⑤ AGGREGATE SHOULDERS, TYPE A, 8"
- ⑥ PAVEMENT REMOVAL, EXISTING +/-7" PCC PAVEMENT WITH +/-7" HOT-MIX ASPHALT OVERLAY (REPLACE WITH ⑦)
- ⑦ PORTLAND CEMENT CONCRETE BASE COURSE, 10 1/2"
- ⑧ EMBANKMENT
- ⑨ TOPSOIL, 6"
- ⑩ SUB-BASE GRANULAR MATERIAL, TYPE A, 12"
- ⑪ CA6 OR CA10 (4") TO BE INCLUDED IN THE COST OF THE HOT-MIX ASPHALT SHOULDERS
- ⑫ AGGREGATE DITCH, 12"



TYPICAL SECTION - ROADWAY RECONSTRUCTION

STA. 11054+12 TO STA. 11054+66
 STA. 11074+98 TO STA. 11075+69

THESE TYPICAL SECTIONS COVER WORK AT CULVERT #14 (SN 101-1083) AND CULVERT #15 (SN 101-1082)

REVISIONS	
NAME	DATE

ILLINOIS DEPARTMENT OF TRANSPORTATION
 F.A.P. ROUTE 505 (IL 75)

**ILLINOIS ROUTE 75
 TYPICAL SECTIONS**

SCALE: VERT. DRAWN BY JTT
 HORIZ. CHECKED BY DWB
 DATE: 7/13/07